



LONKING



Lonking Forklift Parts Catalog

**CPCD20 CPCD25 CPCD30 CPCD35 Forklift Parts
For Lonking 2-3.5T Counterbalance Forklifts and
LPG Forklift Trucks**

This forklift parts catalog is for Lonking 2-3.5T counterbalance forklifts and LPG forklift trucks.

Lonking Holdings Limited, ranked among the top 50 global construction machinery enterprises, is a leading company in the construction machinery industry. Established in 1993, Lonking has continuously expanded its scale. The company's four main products—loaders, excavators, forklifts, and rollers—have advanced in sync, with key core components developing collaboratively. Lonking is highly trusted by users for its reliable quality products and excellent business reputation.



Anhui Leading Forklift Parts Co., Ltd.
www.leadingforkliftparts.com
www.youtube.com/@leadingforkliftparts

说明

感谢您使用我公司生产的产品。

本零件图册适用于我公司生产的2-3.5T 内燃平衡重式叉车及液化石油气叉车，以便用户在修理更换叉车零部件时，从中查找出所需的零件名称、结构及安装位置，并作为订货参考。

在订货时，必须说明原叉车的型号及出厂日期，并根据本图册，说明零件的详细名称、标号、数量及完整的代号。

我公司叉车根据用户和生产发展，将不断地进行改进，故图册内容可能在一定的时期将有更新，待再版时予以修改，敬请用户注意。

本图册不可避免的存在缺点，我们热诚欢迎用户提出宝贵意见。

本图册为第2版,第1次修改。

2018年07月

Introduction

Thank you for selecting our products.

This parts catalogue is applied for the 2-3.5T balanceweight type forklift and liquefied petroleum gas forklift by our plant. It is intended for users to identify the description, the structure and the assembling location of the parts replaced or rep-aired, and to put order on them.

When ordering parts, it is necessary to state the model of the forklift, and manufacturing date, and the description, specification, quantity and code based on this parts book.

Owing to the rapid development of the technology and our continual improvement of product, the information contained in this book may be changed without notice.

For improving our work, customers are sincerely requested to give us comments and suggestions.

The parts manual is the VER 2, REV 1.

Jul 17th, 2018

查询方法:

- 1.在目录中找到相应的系统或总成;
- 2.翻至所标页数,找到该图;
- 3.在其图中找出所需零部件,以及它所标注的序号;
- 4.根据这个序号,在其后附表中可以查到系统或零件的详细信息.

订购零部件时,务请写清叉车的型号,出厂编号,所需零部件的图号及订购数量.维修时,请使用原厂家提供的零部件,以确保叉车质量.

Indexing Way:

- 1.Find out the indexing for the system or assembly.
- 2.According to above page, find out the detail drawing for the system or assembly required.
- 3.From the detail drawing, find out the parts and their item numbers;
- 4.According to these item numbers, find out details of these parts of the system or assembly from attached table.

When ordering the parts or components, please indicate the model and series numbers of parts or components you require and their quantity.

When you replace parts or components, please apply the real goods made by our company to ensure the truck's quality.

具体机型与发动机的对应关系：

设计型号：LG30DIII, LG30DTIII, LG30DTXBIII, LG35DIII, LG35DTIII, LG35DTIII, LG20DIII, LG35DTXBIII, LG20DTIII, LG20DTXBIII, LG25DIII, LG25DTIII, LG25DTXBIII	配CA90BPG-225发动机
设计型号：LG30DTJAIIII, LG30DTJBIIII, LG35DTJAIIII, LG35DTJBIIII, LG20DTJAIIII, LG20DTJBIIII, LG25DTJAIIII, LG25DTJBIIII	配JE493G-L25发动机
设计型号：LG30DTDAIII, LG30DTDBIII, LG35DTDAIII, LG35DTDBIII	配CA498-G154发动机
设计型号：LG20DTIAIII, LG20DTIBIII, LG25DTIAIII, LG25DTIBIII	配五十铃C240发动机
设计型号：LG30DIGIII, LG35DIGIII, LG30DTIGIII, LG35DTIGIII, LG30DTIHIII, LG35DTIHIII	配4JG2发动机
设计型号：LG30DTMBIII, LG30DTMAIII, LG35DTMBIII, LG35DTMAIII	配4TNE98-BQFLC发动机
设计型号：LG20DQAIII, LG25DQAIII, LG30DQAIII, LG35DQAIII, LG20DTQAIII, LG25DTQAIII, LG30DTQAIII, LG35DTQAIII, LG20DTQBIII, LG25DTQBIII, LG30DTQBIII, LG35DTQBIII	配QC490GP-159发动机
设计型号：LG30DQEIII, LG30DTQEIII, LG35DTQEIII	配4C5-61M22 (C05-010) 发动机
设计型号：LG20DXCIII, LG25DXCIII, LG30DXCIII, LG35DXCIII, LG20DTXCIII, LG25DTXCIII, LG30DTXCIII, LG35DTXCIII, LG20DTXDIII, LG25DTXDIII, LG30DTXDIII, LG35DTXDIII	配A4D27-015发动机
设计型号：LG30DTXKIII, LG35DTXLIII	配A498BPG-508发动机
设计型号：LG30DTXNIII, LG30DTXPIII, LG35DTXPIII	配A498BT1-58发动机
设计型号：LG20DGAIII, LG25DGAIII, LG30DGAIII, LG35DGAIII, LG20DTGAIII, LG25DTGAIII, LG30DTGAIII, LG35DTGAIII, LG20DTGBIII, LG25DTGBIII, LG30DTGBIII, LG35DTGBIII	配4DW91-56G2发动机
设计型号：LG20GIII, LG20GLIII, LG25GLIII, LG20GLTNDIII, LG25GLTNDIII, LG20GLTIII, LG25GLTIII, LG20GTIII, LG25GTIII	配K21发动机
设计型号：LG30GIII, LG30GLIII, LG35GLIII, LG30GLTNDIII, LG35GLTNDIII, LG30GLTIII, LG35GLTIII, LG30GNTNDIII, LG30GTNDIII, LG35GTNDIII, LG30GTIII, LG35GTIII	配K25发动机
设计型号：LG20GLTPBIII, LG25GLTPBIII, LG30GLTPBIII, LG35GLTPBIII	配GQ491GP发动机
设计型号：LG30DTHBIII, LG35DTHBIII	配S4S-408发动机
设计型号：LG30DTHDIII, LG35DTHDIII	配S4S-474发动机
设计型号：LG30DTSBDIII, LG35DTSBIII	配QS F2.8发动机

The following trucks are provided with corresponding engine:

Model: LG30DIII, LG30DTIII, LG30DTXBIII, LG35DIII, LG35DTIII, LG35DTIII, LG20DIII, LG35DTXBIII, LG20DTIII, LG20DTXBIII, LG25DIII, LG25DTIII, LG25DTXBIII	C490BPG-225
Model: LG30DTJAIII, LG30DTJBIII, LG35DTJAIII, LG35DTJBIII, LG20DTJAIII, LG20DTJBIII, LG25DTJAIII, LG25DTJBIII	JE493G-L25
Model: LG30DTDAIII, LG30DTDBIII, LG35DTDAIII, LG35DTDBIII	CA498-G154
Model: LG20DTIAIII, LG20DTIBIII, LG25DTIAIII, LG25DTIBIII	C240
Model: LG30DIGIII, LG35DIGIII, LG30DTIGIII, LG35DTIGIII, LG30DTIHIII, LG35DTIHIII	4JG2
Model: LG30DTMBIII, LG30DTMAIII, LG35DTMBIII, LG35DTMAIII	4TNE98-BQFLC
Model: LG20DQAIII, LG25DQAIII, LG30DQAIII, LG35DQAIII, LG20DTQAIII, LG25DTQAIII, LG30DTQAIII, LG35DTQAIII, LG20DTQBIII, LG25DTQBIII, LG30DTQBIII, LG35DTQBIII	QC490GP-159
Model: LG30DQEIII, LG30DTQEIII, LG35DTQEIII	4C5-61M22 (C05-010)
Model: LG20DXCIII, LG25DXCIII, LG30DXCIII, LG35DXCIII, LG20DTXCIII, LG25DTXCIII, LG30DTXCIII, LG35DTXCIII, LG20DTXDIII, LG25DTXDIII, LG30DTXDIII, LG35DTXDIII	A4D27-015
Model: LG30DTXKIII, LG35DTXLIII	A498BPG-508
Model: LG30DTXNIII, LG30DTXPIII, LG35DTXPIII	A498BT1-58
Model: LG20DGAIII, LG25DGAIII, LG30DGAIII, LG35DGAIII, LG20DTGAIII, LG25DTGAIII, LG30DTGAIII, LG35DTGAIII, LG20DTGBIII, LG25DTGBIII, LG30DTGBIII, LG35DTGBIII	4DW91-56G2
Model: LG20GIII, LG20GLIII, LG25GLIII, LG20GLTNDIII, LG25GLTNDIII, LG20GLTIII, LG25GLTIII, LG20GTIII, LG25GTIII	K21
Model: LG30GIII, LG30GLIII, LG35GLIII, LG30GLTNDIII, LG35GLTNDIII, LG30GLTIII, LG35GLTIII, LG30GNTNDIII, LG30GTNDIII, LG35GTNDIII, LG30GTIII, LG35GTIII	K25
Model: LG20GLTPBIII, LG25GLTPBIII, LG30GLTPBIII, LG35GLTPBIII	GQ491GP
Model: LG30DTHBIII, LG35DTHBIII	S4S-408
Model: LG30DTHDIII, LG35DTHDIII	S4S-474
Model: LG30DTSBIII, LG35DTSBIII	QSF2.8

目录/Contents

发动机总成/Engine assembly	1
发动机总成/Engine assembly	3
空滤器总成/Air cleaner assembly	5
空滤器总成(预滤器)/Air cleaner assembly(prefilter)	6
空滤器总成/Air cleaner assembly	8
空滤器总成(预滤器)/Air cleaner assembly(prefilter)	9
空滤器总成/Air cleaner assembly	11
空滤器总成(预滤器)/Air cleaner assembly(prefilter)	12
空滤器总成/Air cleaner assembly	14
空滤器总成(预滤器)/Air cleaner assembly(prefilter)	15
空滤器总成/Air cleaner assembly	17
空滤器总成(预滤器)/Air cleaner assembly(prefilter)	18
空滤器总成/Air cleaner assembly	20
空滤器总成(预滤器)/Air cleaner assembly(prefilter)	21
空滤器总成/Air cleaner assembly	23
空滤器总成(预滤器)/Air cleaner assembly(prefilter)	24
散热器总成/Radiator assembly	26
散热器总成/Radiator assembly.....	28
散热器总成/Radiator assembly.....	30
散热器总成/Radiator assembly	32
散热器总成/Radiator assembly	34
散热器总成/Radiator assembly	36
散热器总成/Radiator assembly.....	39
燃油装置总成/Fuel unit assembly.....	41
燃油装置总成/Fuel unit assembly.....	42
燃油装置总成/Fuel unit assembly	43
燃油装置总成/Fuel unit assembly	44
燃油装置总成/Fuel unit assembly	46
消声器总成/Muffler assembly	47
消声器总成/Muffler assembly	49
消声器总成/Muffler assembly	51

目录/Contents

消声器总成(高排)/Muffler assembly(High exhaust)	53
消声器总成(高排)/Muffler assembly(High exhaust)	55
消声器总成(高排)/Muffler assembly(High exhaust)	57
消声器总成(高排)/Muffler assembly(High exhaust)	58
传动系统/Drive system	60
变速箱(I)/Transmission(I)	62
变速箱(II)/Transmission(II)	64
变速箱(III)/Transmission(III)	66
差速器总成/Differential assembly	69
主轴组件/Main shaft assembly	71
离合器/Clutch	73
传动系统/Drive system	75
传动系统/Drive system	77
变速箱(I)/Transmission(I)	79
变速箱(II)/Transmission(II)	82
液力离合器/Hydraulic Clutch	84
油泵/Oil pump	86
盖和控制阀总成/Cover & Control valve assembly	88
微动阀/Inching valve	90
差速器/Differential	92
驱动桥总成/Drive axle assembly	94
驱动桥总成/Drive axle assembly	95
驱动桥总成/Drive axle assembly	96
驱动桥总成/Drive axle assembly	97
驱动桥/Drive axle	98
液力变速操纵总成/Hydraulic speed control assembly	100
转向操纵机构总成/Steering control mechanism assembly	102
转向桥总成/Steering axle assembly	104
转向轮/Steering wheel	106
油门操纵系统/Accelerator control system	107

目录/Contents

油门操纵系统/Accelerator control system	109
油门操纵系统/Accelerator control system	111
熄火操纵系统/The flameout control system	113
行车制动系统/Brake system	114
行车制动系统/Brake system	115
停车制动系统/Parking brake system	117
车架/Chassis	118
覆盖件系统/Outer panel system	120
门架(基本型)/Mast (normal mast)	122
门架(基本型)/Mast (normal mast)	125
门架(基本型)/Mast (normal mast)	129
门架(二级全自由)/Mast(full free 2-stage mast)	133
门架(二级全自由)/Mast(full free 2-stage mast)	136
门架(二级全自由)/Mast(full free 2-stage mast)	139
门架(三级全自由)/Mast(full free 3-stage mast)	142
门架(三级全自由)/Mast(full free 3-stage mast)	145
门架(三级全自由)/Mast(full free 3-stage mast).....	148
货叉及货叉架/Fork & fork carrier(normal mast).....	151
货叉及货叉架/Fork & fork carrier(normal mast)	153
货叉及货叉架/Fork & fork carrier(normal mast)	155
货叉及货叉架/Fork & fork carrier(normal mast).....	157
起升油缸(基本型)/Lift cylinder (normal mast)	159
起升油缸(基本型)/Lift cylinder (normal mast).....	162
起升油缸(基本型)/Lift cylinder (normal mast)	165
前起升油缸(二级全自由)/Front lift cylinder (full free 2-stage mast)	168
前起升油缸(二级全自由)/Front lift cylinder (full free 2-stage mast)	171
前起升油缸(三级全自由)/Front lift cylinder (full free 3-stage mast)	174
前起升油缸(三级全自由)/Front lift cylinder (full free 3-stage mast)	176
后起升油缸(二级全自由)/Rear lift cylinder (full free 2-stage mast).....	179
后起升油缸(二级全自由)/Rear lift cylinder (full free 2-stage mast).....	182

目录/Contents

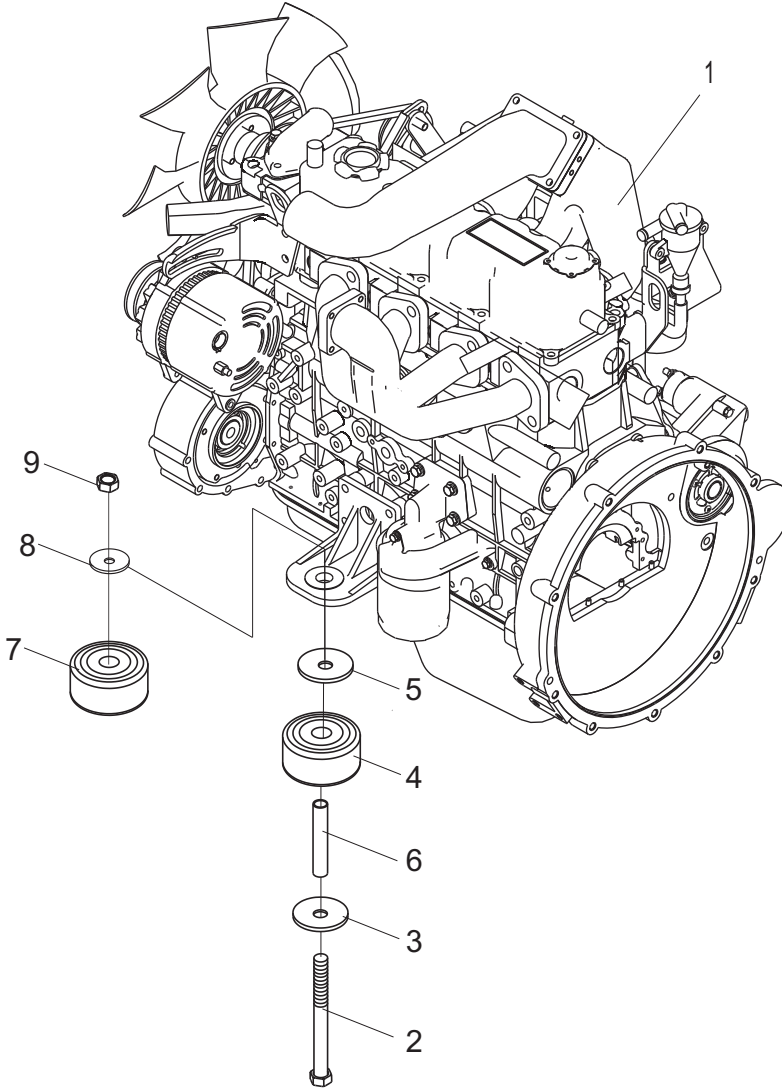
后起升油缸(三级全自由)/Rear lift cylinder (full free 3-stage mast)	186
后起升油缸(三级全自由)/Rear lift cylinder (full free 3-stage mast)	190
后起升油缸(三级全自由)/Rear lift cylinder (full free 3-stage mast)	192
倾斜油缸总成/Tilt cylinder assembly	195
门架侧移管路(基本型)/Sideshift pipe mast(normal mast)	200
门架侧移管路(基本型)/Sideshift pipe mast(normal mast)	202
门架侧移管路(基本型)/Sideshift pipe mast(normal mast)	204
门架侧移管路(二级全自由)/Sideshift pipe mast(full free 2-stage mast)	206
门架侧移管路(二级全自由)/Sideshift pipe mast(full free 2-stage mast)	208
门架侧移管路(二级全自由)/Sideshift pipe mast(full free 2-stage mast)	210
门架侧移管路(三级全自由)/Sideshift pipe mast(full free 3-stage mast)	212
门架侧移管路(三级全自由)/Sideshift pipe mast(full free 3-stage mast)	214
门架侧移管路(三级全自由)/Sideshift pipe mast(full free 3-stage mast)	216
门架起升管路(二级全自由)/Lift pipe mast(full free 2-stage mast)	218
门架起升管路(二级全自由)/Lift pipe mast(full free 2-stage mast)	220
门架起升管路(三级全自由)/Lift pipe mast(full free 3-stage mast)	222
门架起升管路(三级全自由)/Lift pipe mast(full free 3-stage mast)	224
门架起升管路(三级全自由)/Lift pipe mast(full free 3-stage mast)	226
多路阀操纵/Multi-way valve control	228
液压系统/Hydraulic system	230
液压系统/Hydraulic system	233
液压油箱盖板总成/Hydraulic oil tank cover plate assembly	236
护顶架/Overhead guard	237
护顶架/Overhead guard	239
电气系统/Electric system	241
电气系统/Electric system	244
电气系统/Electric system	247
电气系统/Electric system	250
电气系统/Electric system	253
电气系统/Electric system	256

目录/Contents

电气系统/Electric system	259
液化气装置/Liquefied gas device	261
标牌/Label	263
平衡重/Counter weight	265

发动机总成/Engine assembly

D、DT、DDA、DIA、DIG、DQE、DTIA、DTIB、DTDA、DTDB、DTGA、DTIG、DTIH、DTHB、DTHD、DTJA、DTJB、DTQA、DTQB、DTQE、DTXB、DTXC、DTXK、DTXL、DTXP、DTXN、GLTPB

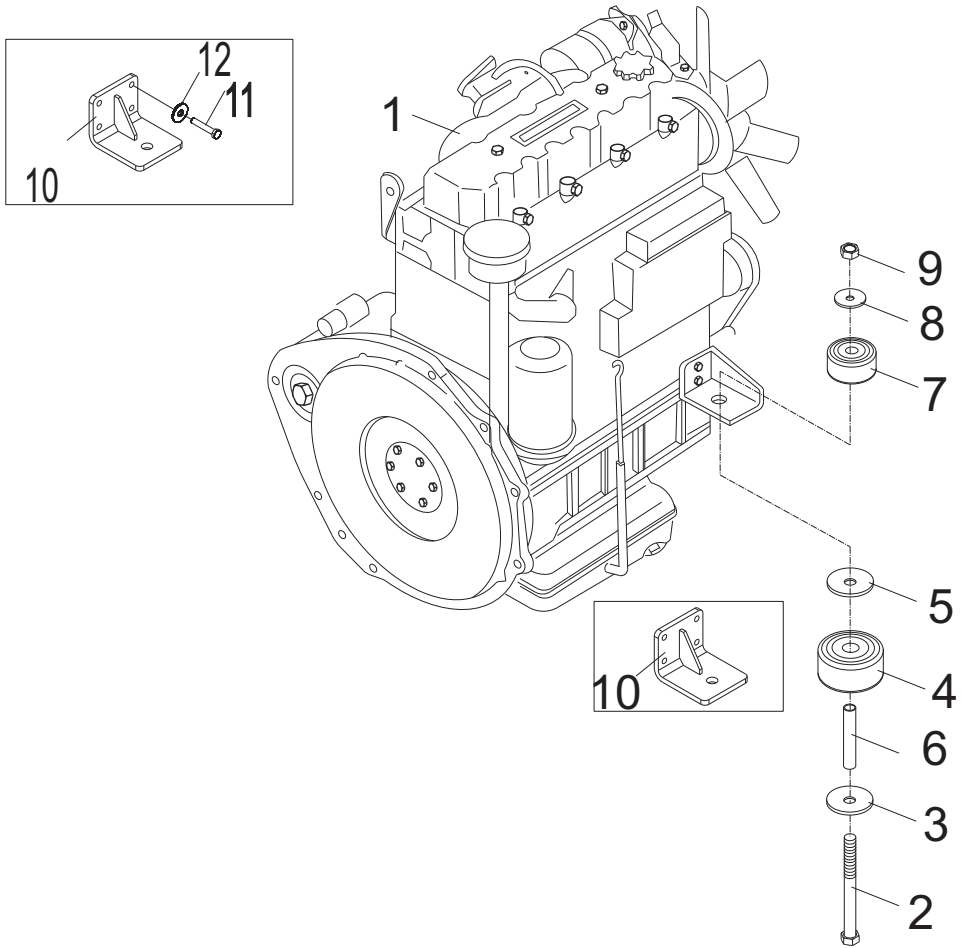


发动机总成/Engine assembly

序号 Item No	编 码 Code	图 号 Part No	零部件名称 Description	数量 Q'ty	备 注 Remark
1	30001012061	C490BPG-225	发动机总成 Engine assembly	1	D(T)/DTXB
	30001012042	4C5-61M22(C05-010)	发动机总成 Engine assembly	1	DQE/DTQE
	30001012028	A498BPG-509	发动机总成 Engine assembly	1	DTXP/DTXN
	30001012080	4DW91-56G2	发动机总成 Engine assembly	1	30DTGA
	30001012034	C240	发动机总成 Engine assembly	1	DTIA/DTIB/DIA
	30001012014	LG0035DTDA.02.01	发动机总成 Engine assembly	1	DTDA/DTDB/DDA
	30001012022	4JG2PE-01	发动机总成 Engine assembly	1	DIG/DTIG/DTH
	30001012075	GQ491GP	发动机总成 Engine assembly	1	GLTPB
	30001012025	A495BPG-508	发动机总成 Engine assembly	1	DTXK/DTXL
	30001012078	A4D27-015	发动机总成 Engine assembly	1	DTXC
	30001012054	JE493G-L25	发动机总成 Engine assembly	1	DTJA/DTJB
	60100002034	A498BT1-58	发动机总成 Engine assembly	1	DTXP/DTXN
	30001012045	QC490GP-159	发动机总成 Engine assembly	1	DTQA/DTQB/DQA
	60100002139	S4S-408	发动机总成 Engine assembly	1	DTHB
	60100003089	S4S-474	发动机总成 Engine assembly	1	DTHD
2	51203103114	GB/T5782	螺栓M10×110 Bolt M10×110	2	
3	30001106402	30D-0152001	垫圈 Washer	2	
4	30001109003	30D-0152002	减震垫 Rubber gasket	2	
5	30001112306	30D-0152004	套管 Lining	2	
6	30001106403	30D-0152003	垫圈 Washer	2	
7	30001109012	30D-0152005	减震垫 Rubber gasket	2	
8	30002118201	LG0100DT.02.03-001	垫片 Gasket	2	
9	51347000419	GB/T6184	螺母M10 Nut M10	2	

发动机总成/Engine assembly

DTMA、DTMB、G、GL、GT、GLT、GLTND、GNTND、GTND

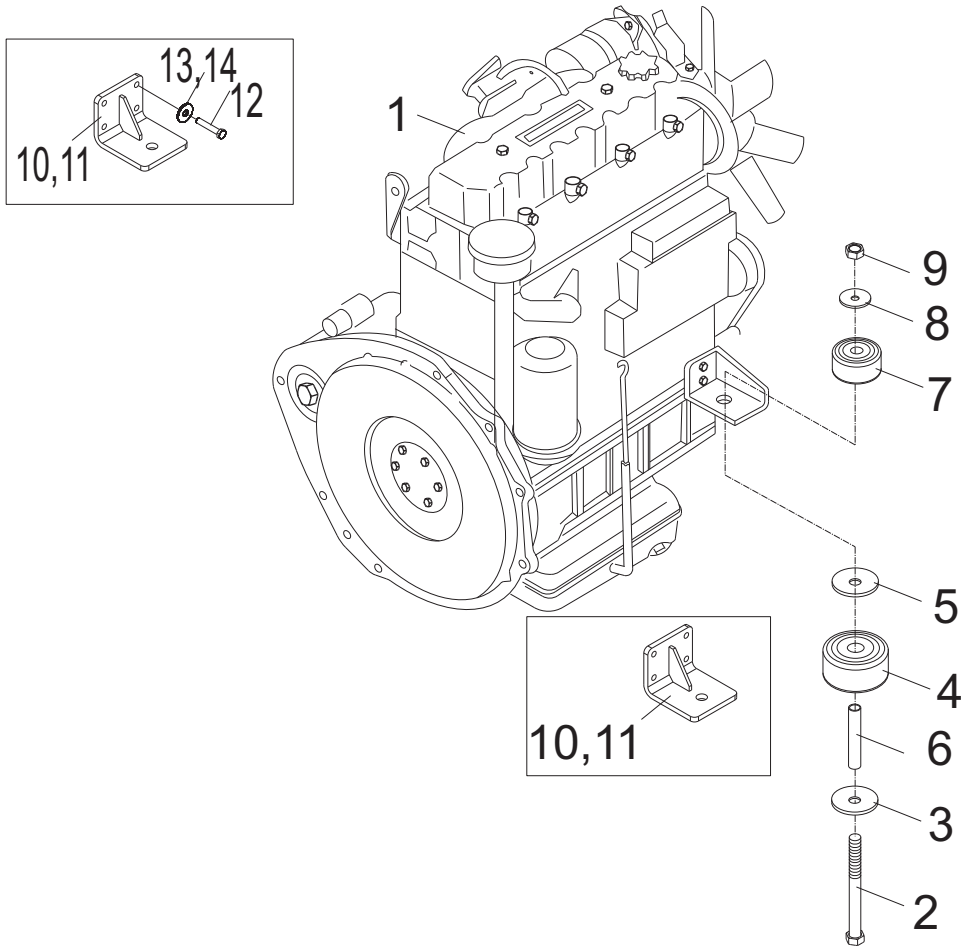


发动机总成/Engine assembly

序号 Item No	编 码 Code	图 号 Part No	零部件名称 Description	数量 Q'ty	备 注 Remark	
1	30001012013	LG0030GLT.02.02	发动机总成	Engine assembly	1	3-3.5T液化石油气车
	30001012057	K21	发动机总成	Engine assembly	1	2-2.5T液化石油气车
	30001012020	4TNE98-BQFLC	发动机总成	Engine assembly	1	DTMA/DTMB
2	51203103114	GB/T5782	螺栓M10×110	Bolt M10×110	2	
3	30001106402	30D-0152001	垫圈	Washer	2	
4	30001109003	30D-0152002	减震垫	Rubber gasket	2	
5	30001112306	30D-0152004	套管	Lining	2	
6	30001106403	30D-0152003	垫圈	Washer	2	
7	30001109012	30D-0152005	减震垫	Rubber gasket	2	
8	30002118201	LG0100DT.02.03-001	垫片	Gasket	2	
9	51347000419	GB/T6184	螺母M10	Nut M10	2	
10	30001018701	LG0030GLT.01.05	支座焊合	Support weldment	2	GLT系列机型
	30001018126	LG0030DTMAIII.01.07	支架焊合	Support weldment	2	DTMA/DTMB
11	51401100107	GB/T93	垫圈10	Washer	8	
12	51204101114	GB/T5783	螺栓M10×25	Bolt M10×25	8	

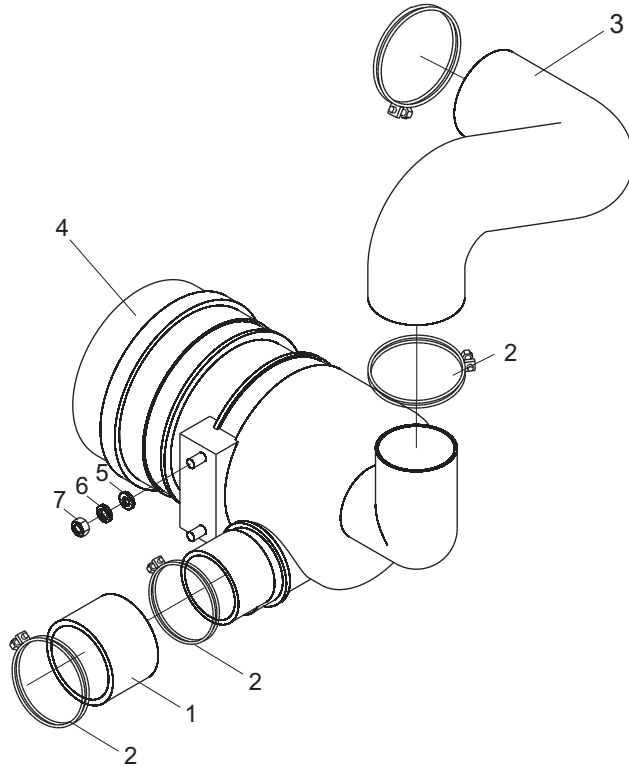
发动机总成/Engine assembly

DTSB



空滤器总成 / Air cleaner assembly

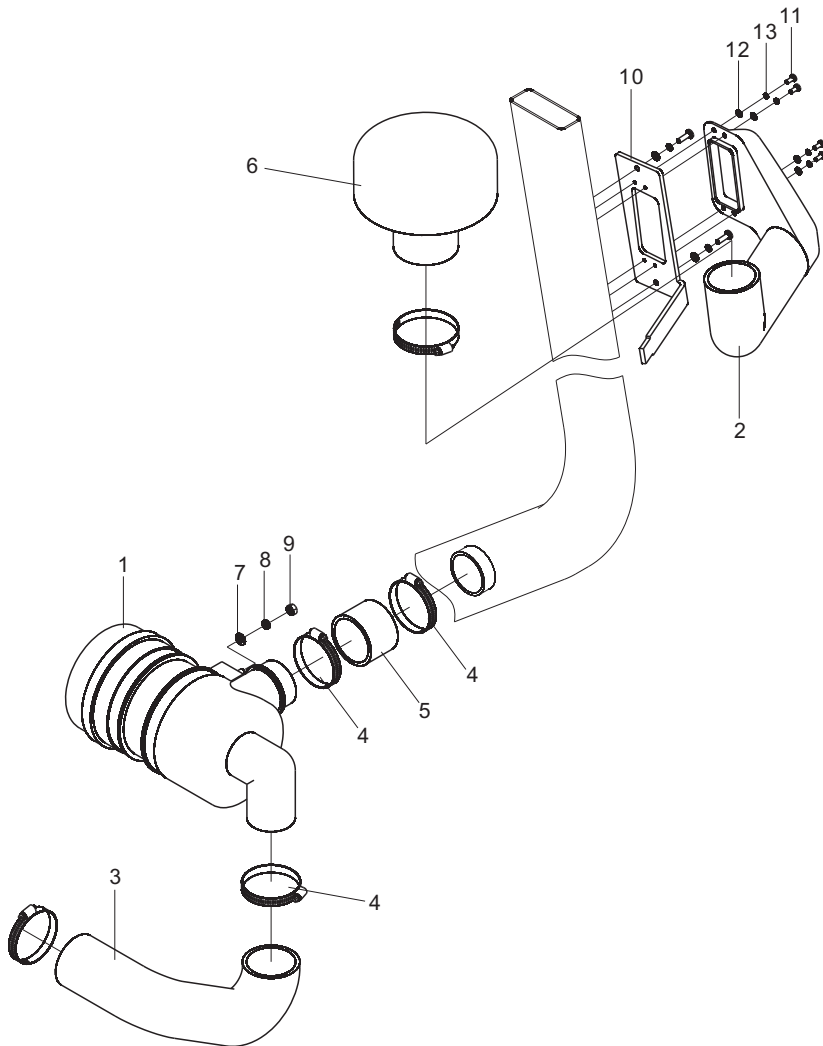
D, DT, DQA, DQE, DXC, DXN, DTGA, DTQA, DTQE, DTXB, DTXC, DTXK, DTXL, DTXN, DTXP



序号 Item No	编 码 Code	图 号 Part No	零 部 件 名 称 Description	数 量 Q'ty	备 注 Remark
1	30001106059	LG0030DIII.01.05-002	成型管 Molding pipe	1	
2	56171002201	JB/T8870	喉箍d80 (60~80) Clip d80(60~80)	4	
3	30001106058	LG0030DIII.01.05-001	成型管 Molding pipe	1	
4	30001014864	LG0030DIII.01.01-007	空滤器总成 Air cleaner assembly	1	
5	51421090115	GB/T97.1	垫圈8 Washer 8	2	
6	51401090107	GB/T93	垫圈8 Washer 8	2	
7	51307000919	GB/T6170	螺母M8 Nut M8	2	

空滤器总成(预滤器) / Air cleaner assembly(prefilter)

D、DT、DQA、DQE、DXC、DXN、DTGA、DTQA、DTQE、DTXB、DTXC、DTXK、DTXL、DTXN、DTXP

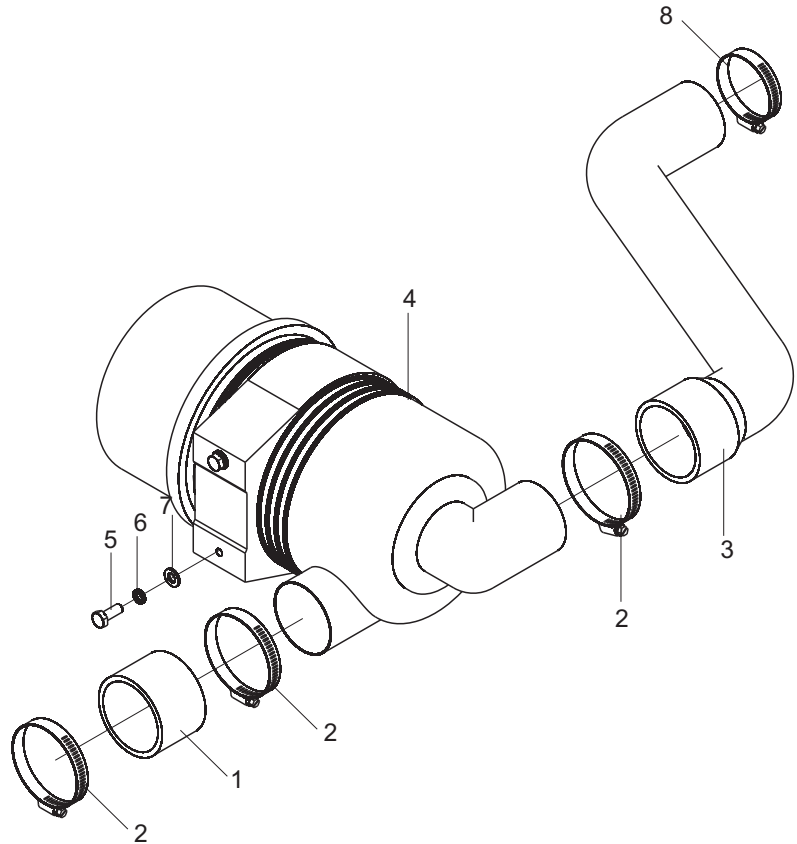


空滤器总成(预滤器) / Air cleaner assembly(prefilter)

序号 Item No	编 码 Code	图 号 Part No	零 部 件 名 称 Description	数量 Q'ty	备 注 Remark
1	30001014864	LG0030DIII.01.01-007	空滤器总成 Air cleaner assembly	1	
2	30001110007	LG0030DIII.01.01-005	空滤支架 Bracket	1	
3	30001106058	LG0030DIII.01.05-001	成型管 Pipe	1	
4	56171002201	JB/T8870	喉箍d80 (60~80) Clip d80(60~80)	4	
5	30001106059	LG0030DIII.01.05-002	成型管 Pipe	1	
6	60980005488	LG0030DIII.01.01-001	空气预滤器 Air pre-filter	1	
7	51421090115	GB/T97.1	垫圈8 Washer 8	2	
8	51401090107	GB/T93	垫圈8 Washer 8	2	
9	51307000919	GB/T6170	螺母M8 Nut M8	2	
10	30001106301	LG0030DIII.01.01-006	垫块 Padding block	1	
11	51158170604	GB/T818	螺钉M5X16 Screw M5×16	4	
12	51421070115	GB/T97.1	垫圈5 Washer 5	4	
13	51401070107	GB/T93	垫圈5 Washer 5	4	

空滤器总成/Air cleaner assembly

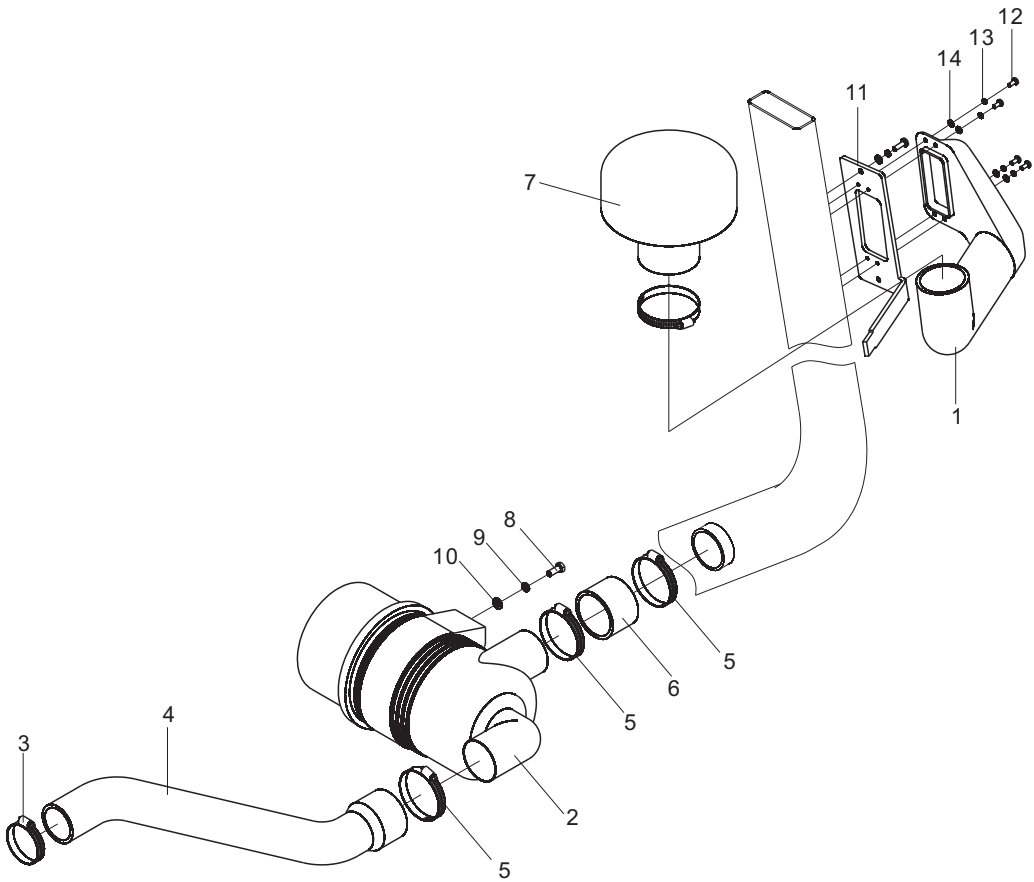
DDA、DTDA、DTDB、DIA、DTIA、DTIB、DIG、DTIG、DTIH、DTSB



序号 Item No	编 码 Code	图 号 Part No	零部件名称 Description	数量 Q'ty	备 注 Remark
1	30001106059	LG0030DⅢ.01.05-002	成型管	Molding pipe	1
2	56171002201	JB/T8870	喉箍d80(60~80)	Hoop d80(60~80)	3 DTSB机型4个
3	30001106062	LG0030DTDAⅢ.01.05-001	成型管	Molding pipe	1 DDA/DTDA/DTDB
	30001106088	LG0025DTIAⅢ.01.01-001	成型管	Molding pipe	1 DIG/DTIG/DTIH
	30001106086	LG0030DTIHⅢ.01.01-002	成型管	Molding pipe	1 DIA/DTIA/DTIB
	60700000136	LG0030DTSBⅢ.01.01-001	成型管	Molding pipe	1 DTSB
4	30001014812	LG0030DTIG.01.01.01	空滤器总成	Air cleaner assembly	1
5	51204091014	GB/T5783	螺栓M8×20	Bolt M8×20	2
6	51401090107	GB/T93	垫圈8	Washer 8	2
7	51421090115	GB/T97.1	垫圈8	Washer 8	2
8	56171001001	JB/T8870	喉箍d70(50~70)	Hoop d70(50~70)	1 除DTSB外的机型

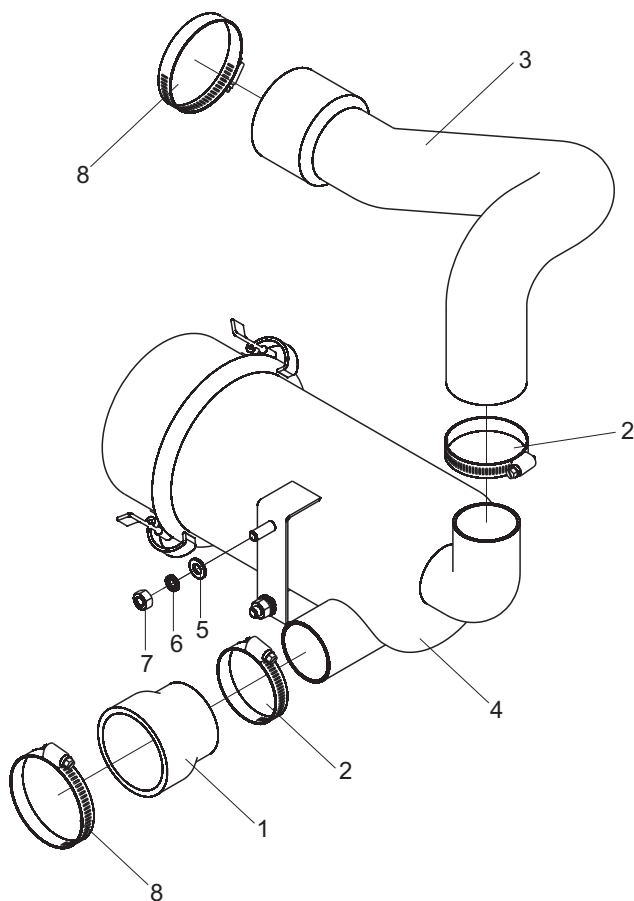
空滤器总成(预滤器) / Air cleaner assembly(prefilter)

DDA、DTDA、DTDB、DIA、DTIA、DTIB、DIG、DTIG、DTIH



空滤器总成/Air cleaner assembly

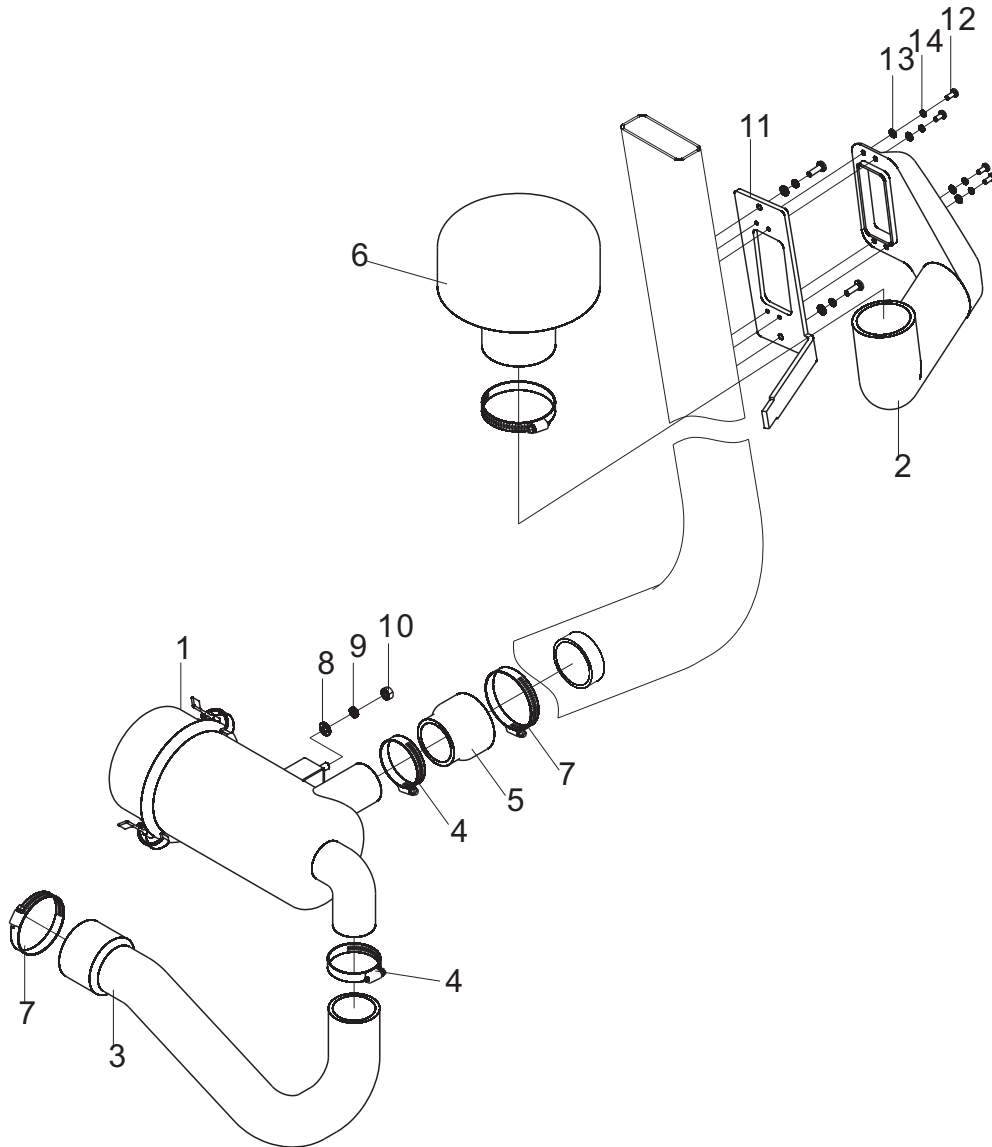
DTJA, DTJB



序号 Item No	编 码 Code	图 号 Part No	零 部 件 名 称 Description	数 量 Q'ty	备 注 Remark
1	30001106094	LG0030DTJAIII.01.03-002	成型管 Molding pipe	1	
2	56171001001	JB/T8870	喉箍d70(50~70) Clip d70(50~70)	2	
3	30001106079	LG0030DTJAIII.01.03-001	成型管 Molding pipe	1	
4	30001014841	LG0030DTJAIII.01.03.01	空滤器总成 Air cleaner assembly	1	
5	51421090115	GB/T97.1	垫圈8 Washer 8	2	
6	51401090107	GB/T93	垫圈8 Washer 8	2	
7	51307000919	GB/T6170	螺母M8 Nut M8	2	
8	56171002201	JB/T8870	喉箍d80(60~80) Clip d80(60~80)	2	

空滤器总成(预滤器) / Air cleaner assembly(prefilter)

DTJA, DTJB

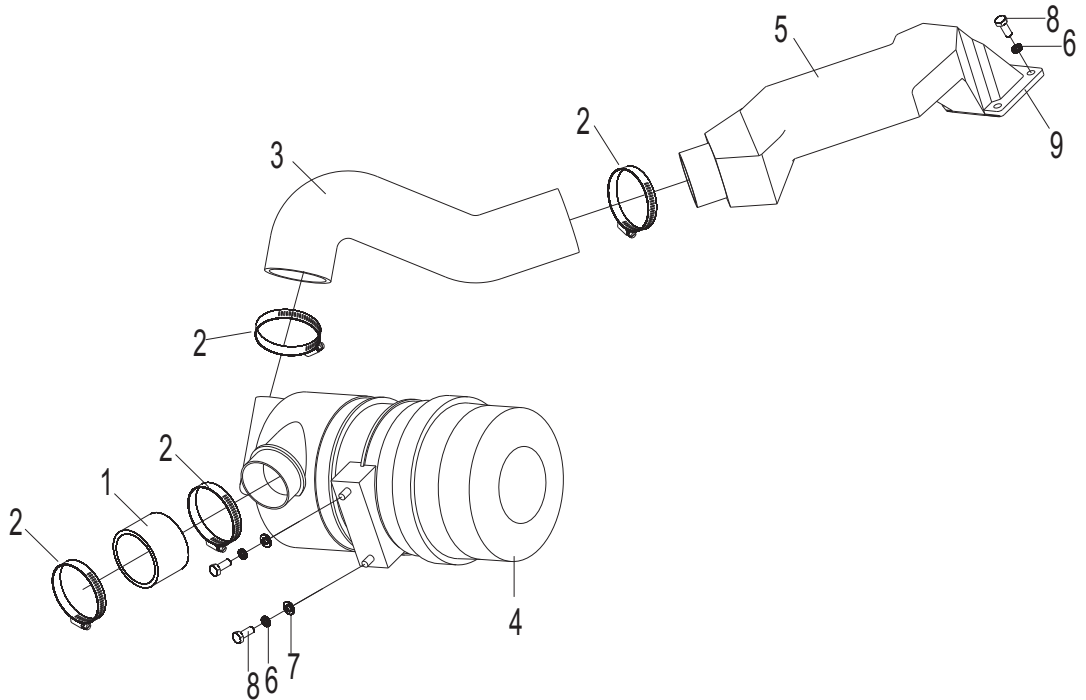


空滤器总成(预滤器) / Air cleaner assembly(prefilter)

序号 Item No	编 码 Code	图 号 Part No	零 部 件 名 称 Description	数 量 Q'ty	备 注 Remark
1	30001014841	LG0030DTJAIII.01.03.01	空滤器总成 Air cleaner assembly	1	
2	30001110007	LG0030DIII.01.01-005	空滤支架 Bracket	1	
3	30001106079	LG0030DTJAIII.01.03-001	成型管 Molding pipe	1	
4	56171001001	JB/T8870	喉箍d70(50~70) Clip d70(50~70)	2	
5	30001106094	LG0030DTJAIII.01.03-002	成型管 Molding pipe	1	
6	60980005488	LG0030DIII.01.01-001	空气预滤器 Air pre-filter	1	
7	56171002201	JB/T8870	喉箍d80(60~80) Clip d80(60~80)	2	
8	51421090115	GB/T97.1	垫圈8 Washer 8	2	
9	51401090107	GB/T93	垫圈8 Washer 8	2	
10	51307000919	GB/T6170	螺母M8 Nut M8	2	
11	30001106301	LG0030DIII.01.01-006	垫块 Padding block	1	
12	51158170604	GB/T818	螺钉M5X16 Screw M5×16	4	
13	51421070115	GB/T97.1	垫圈5 Washer 5	4	
14	51401070107	GB/T93	垫圈5 Washer 5	4	

空滤器总成 / Air cleaner assembly

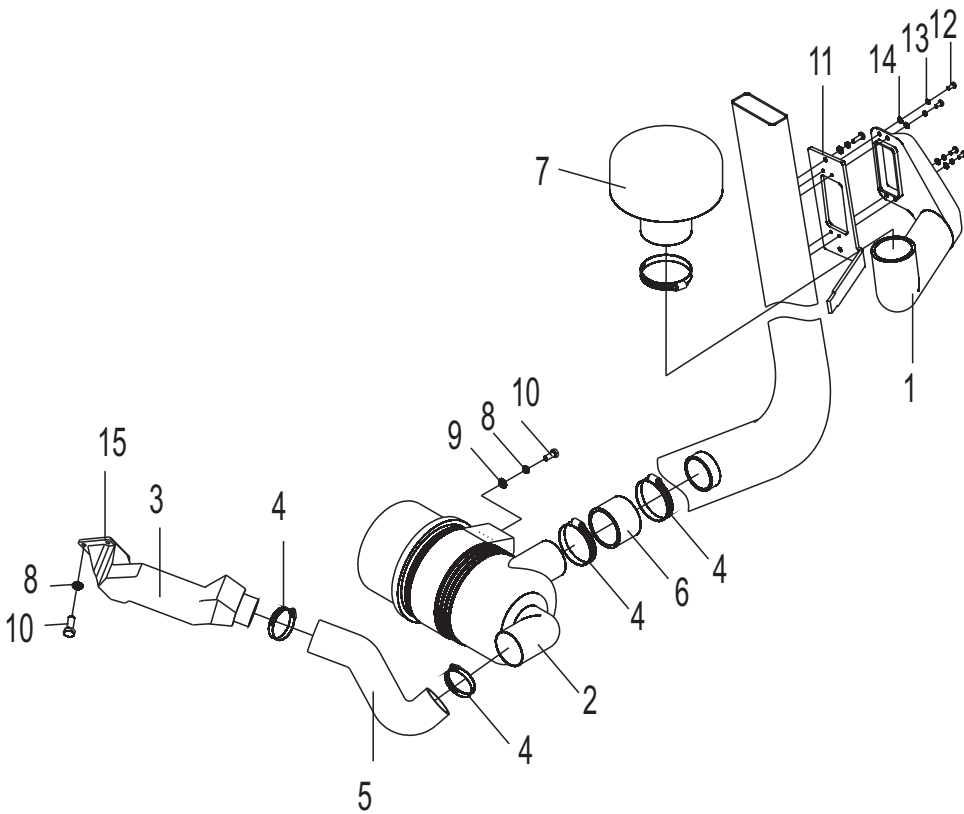
DTMA



序号 Item No	编 码 Code	图 号 Part No	零 部 件 名 称 Description	数 量 Q'ty	备 注 Remark
1	30001106059	LG0030DIII.01.05-002	成型管 Molding pipe	1	
2	56171002201	JB/T8870	喉箍d80(60~80) Clip d80(60~80)	4	
3	30001106117	LG0030DTMAIII.01.01-001	成型管 Molding pipe	1	
4	30001014812	LG0030DTIG.01.01.01	空滤器总成 Air cleaner assembly	1	
5	30001106116	LG0030DTMAIII.01.01-002	成型管 Molding pipe	1	
6	51401090107	GB/T93	垫圈8 Washer 8	6	
7	51421090115	GB/T97.1	垫圈8 Washer 8	2	
8	51204091014	GB/T5783	螺栓M8×20 Bolt M8×20	6	
9	30001107622	LG0030DTMAIII.01.01-004	固定板 Fixed plate	1	

空滤器总成(预滤器) / Air cleaner assembly(prefilter)

DTMA

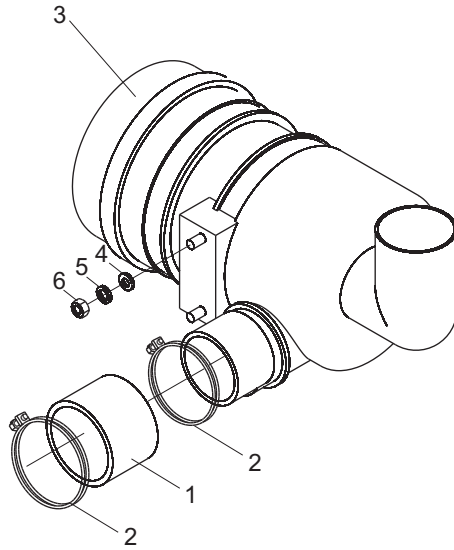


空滤器总成(预滤器) / Air cleaner assembly(prefilter)

序号 Item No	编 码 Code	图 号 Part No	零部件名称 Description	数量 Q'ty	备 注 Remark
1	30001110007	LG0030DIII.01.01-005	空滤支架 Bracket	1	
2	30001014812	LG0030DTIG.01.01.01	空滤器总成 Air cleaner assembly	1	
3	30001106116	LG0030DTMAIII.01.01-002	成型管 Molding pipe	1	
4	56171002201	JB/T8870	喉箍d80 (60~80) Clip d70(50~70)	4	
5	30001106117	LG0030DTMAIII.01.01-001	成型管 Molding pipe	1	
6	30001106059	LG0030DIII.01.05-002	成型管 Molding pipe	1	
7	60980005488	LG0030DIII.01.01-001	空气预滤器 Air pre-filter	1	
8	51401090107	GB/T93	垫圈8 Washer 8	6	
9	51421090115	GB/T97.1	垫圈8 Washer 8	2	
10	51204091014	GB/T5783	螺栓M8×20 Bolt M8×20	6	
11	30001106301	LG0030DIII.01.01-006	垫块 Padding block	1	
12	51158170604	GB/T818	螺钉M5×16 Screw M5×16	4	
13	51421070115	GB/T97.1	垫圈5 Washer 5	4	
14	51401070107	GB/T93	垫圈5 Washer 5	4	
15	30001107622	LG0030DTMAIII.01.01-004	固定板 Fixed plate	1	

空滤器总成 / Air cleaner assembly

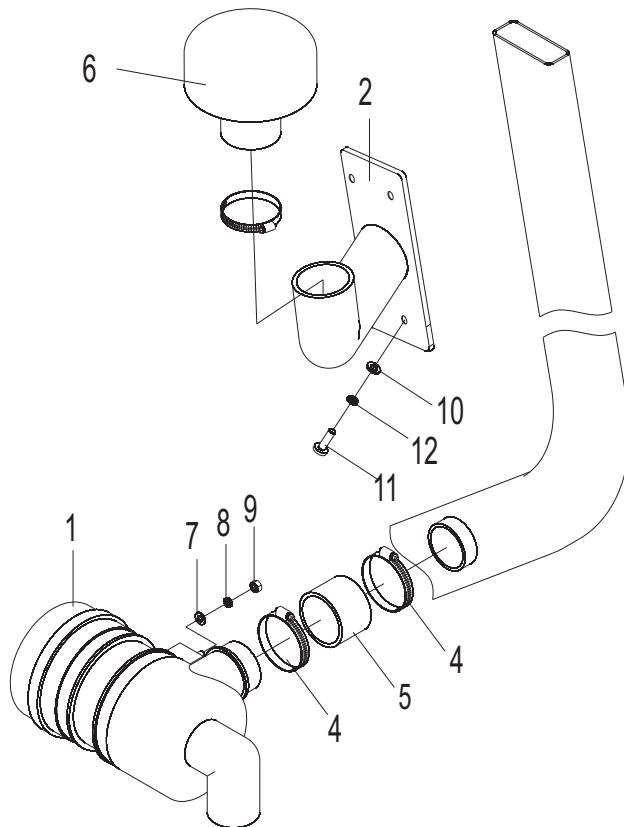
GLTND、GLT、GL、GNTND



序号 Item No	编 码 Code	图 号 Part No	零 部 件 名 称 Description	数 量 Q'ty	备 注 Remark
1	30001106059	LG0030DⅢ.01.05-002	成型管 Molding pipe	1	
2	56171002201	JB/T8870	喉箍d80 (60~80) Clip d80(60~80)	2	
3	30001014825	30D-0111100	空滤器总成 Air cleaner assembly	1	
4	51421090115	GB/T97.1	垫圈8 Washer 8	2	
5	51401090107	GB/T93	垫圈8 Washer 8	2	
6	51307000919	GB/T6170	螺母M8 Nut M8	2	

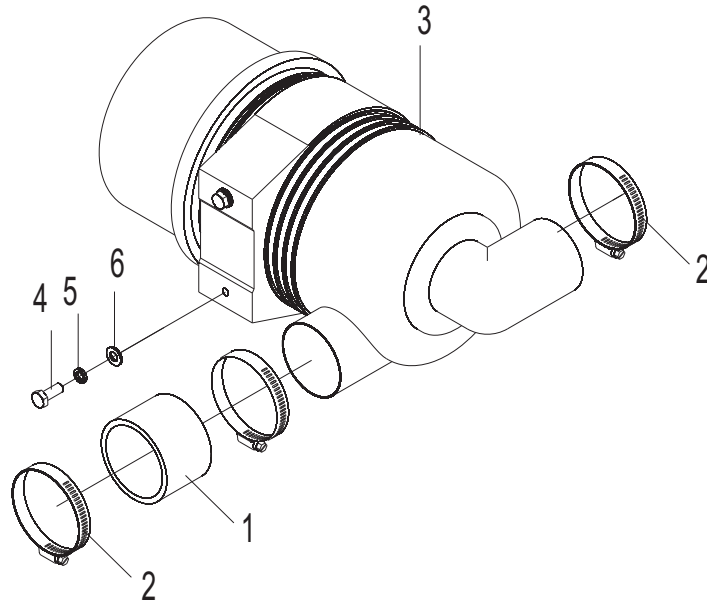
空滤器总成(预滤器) / Air cleaner assembly(prefilter)

GLTND、GLT、GL、GNTND



空滤器总成 / Air cleaner assembly

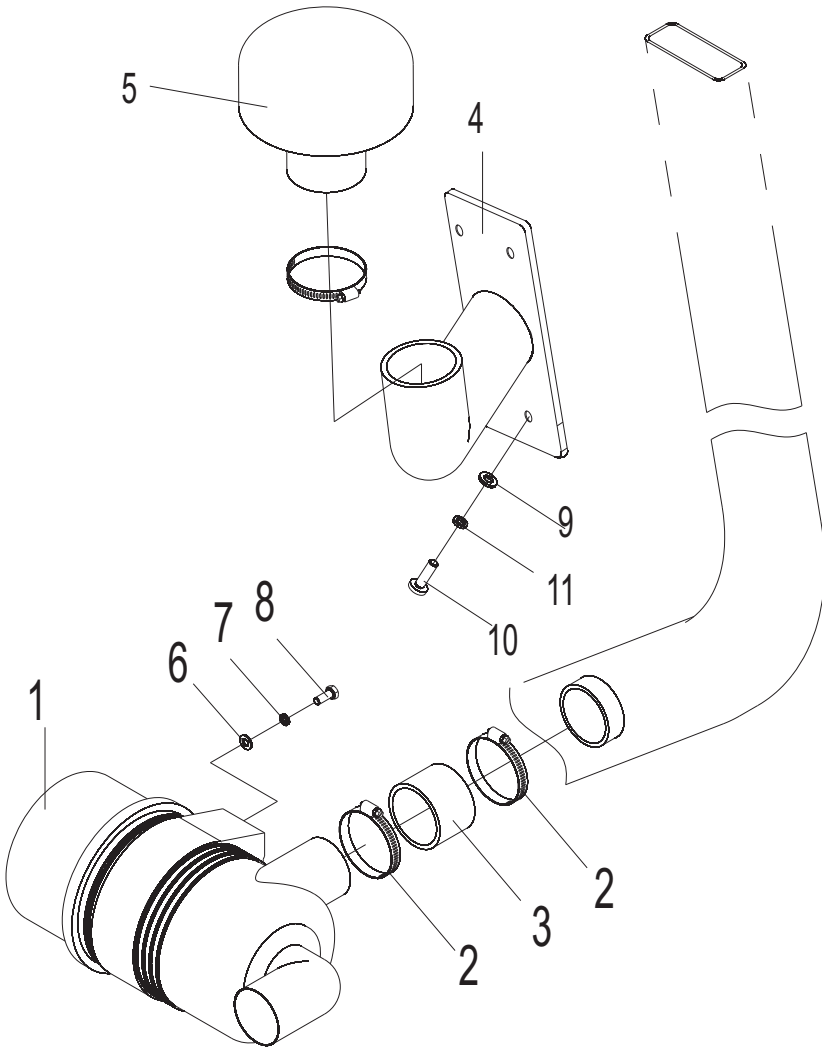
GLTPB



序号 Item No	编 码 Code	图 号 Part No	零 部 件 名 称 Description	数量 Q'ty	备 注 Remark
1	30001106059	LG0030DIII.01.05-002	成型管 Molding pipe	1	
2	56171002201	JB/T8870	喉箍d80(60~80) Clip d80(60~80)	3	
3	30001014812	LG0030DTIG.01.01.01	空滤器总成 Air cleaner assembly	1	
4	51204091014	GB/T5783	螺栓M8×20 Bolt M8×20	2	
5	51401090107	GB/T93	垫圈8 Washer 8	2	
6	51421090115	GB/T97.1	垫圈8 Washer 8	2	

空滤器总成(预滤器) / Air cleaner assembly(prefilter)

GLTPB

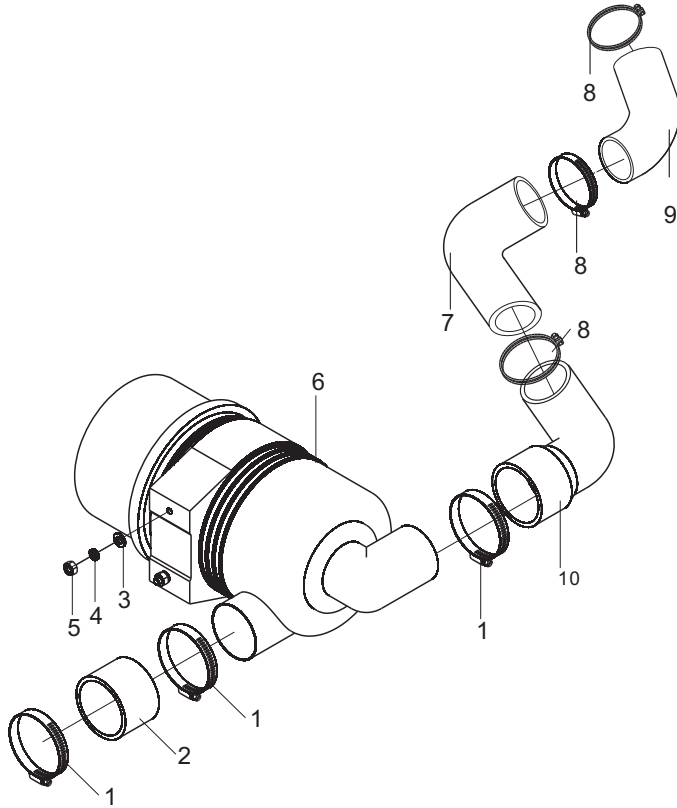


空滤器总成(预滤器) / Air cleaner assembly(prefilter)

序号 Item No	编 码 Code	图 号 Part No	零 部 件 名 称 Description	数 量 Q'ty	备 注 Remark
1	30001014812	LG0030DTIG.01.01.01	空滤器总成 Air cleaner assembly	1	
2	56171002201	JB/T8870	喉箍d80(60~80) Clip d80(60~80)	2	
3	30001106059	LG0030DIII.01.05-002	成型管 Molding pipe	1	
4	30001018125	LG0035GLTNDIII.01.05.01	支架焊合 Bracket weldment	1	
5	60980005488	LG0030DIII.01.01-001	空气预滤器 Air pre-filter	1	
6	51421090115	GB/T97.1	垫圈8 Washer 8	2	
7	51401090107	GB/T93	垫圈8 Washer 8	2	
8	51204091014	GB/T5783	螺栓M8×20 Bolt M8×20	2	
9	51158170604	GB/T818	螺钉M5×16 Screw M5×16	4	
10	51421070115	GB/T97.1	垫圈5 Washer 5	4	
11	51401070107	GB/T93	垫圈5 Washer 5	4	

空滤器总成 / Air cleaner assembly

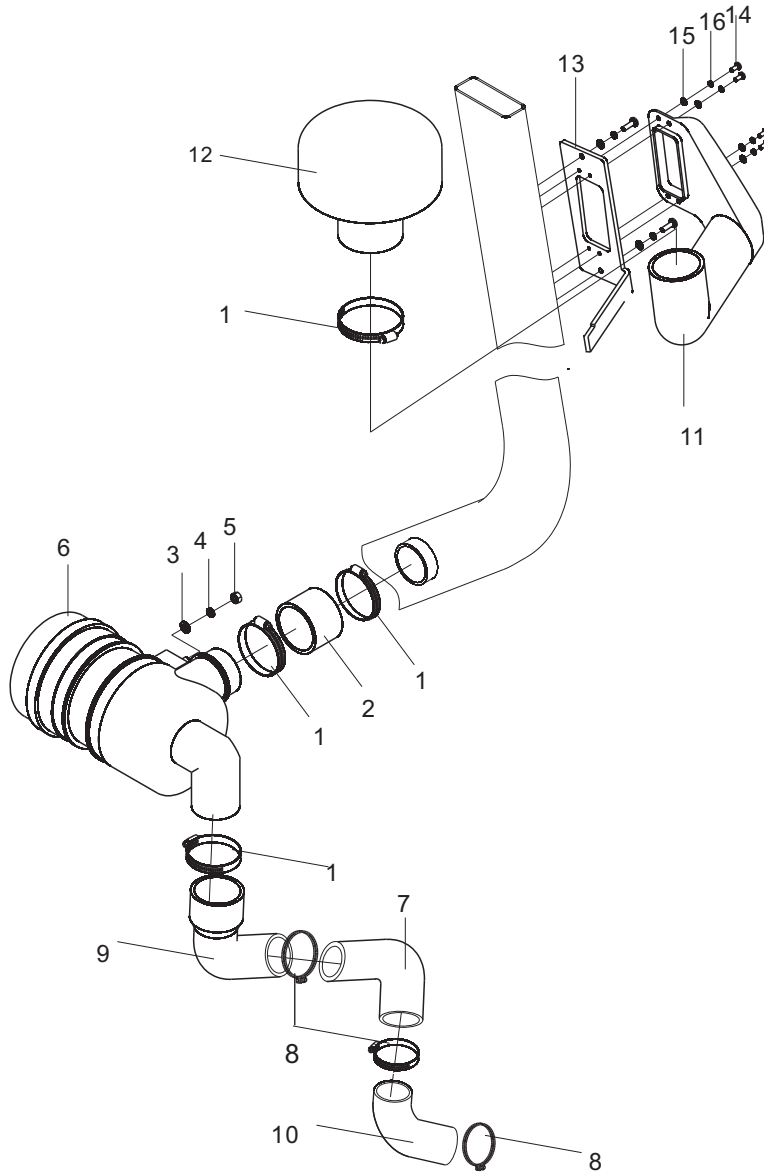
G、GT、GTND



序号 Item No	编 码 Code	图 号 Part No	零部件名称 Description		数量 Q'ty	备 注 Remark
1	56171002201	JB/T8870	喉箍d80(60~80)	Hoop d80(60~80)	3	
2	30001106059	LG0030DIII.01.05-002	成型管	Molding pipe	1	
3	51421090115	GB/T97.1	垫圈8	Washer 8	2	
4	51401090107	GB/T93	垫圈8	Washer 8	2	
5	51307000919	GB/T6170	螺母M8	Nut M8	2	
6	30001014825	30D-0111100	空滤器总成	Air cleaner assembly	1	
7	30001013031	LG0030GTIII.01.01.01	钢管焊合	Steel tube weldment	1	
8	56171001001	JB/T8870	喉箍d70(50~70)	Hoop d70(50~70)	3	
9	30001106084	LG0035GLTNDIII.19-002	成型管	Molding pipe	1	
10	30001106083	LG0035GLTNDIII.19-001	成型管	Molding pipe	1	

空滤器总成(预滤器) / Air cleaner assembly(prefilter)

G、GT、GTND

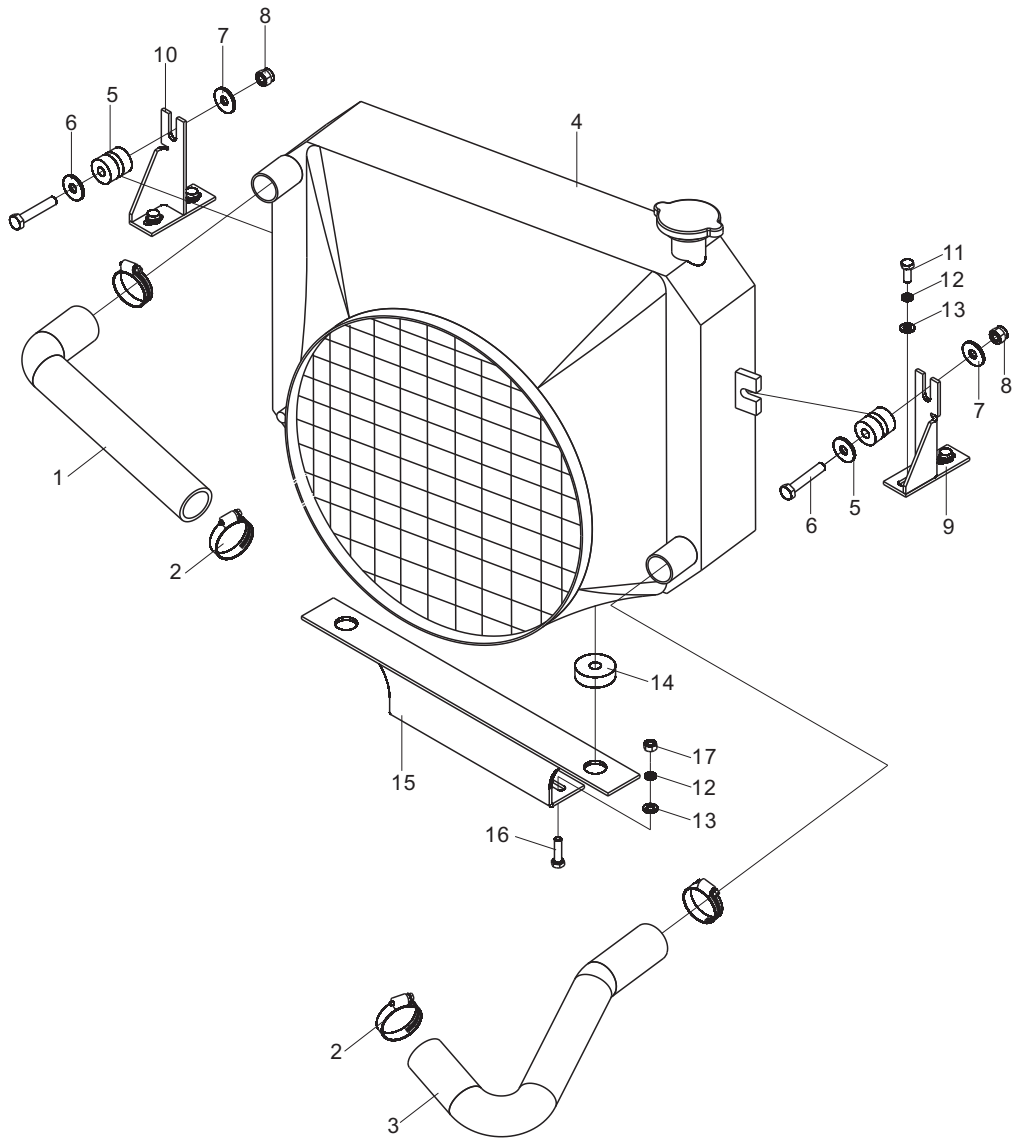


空滤器总成(预滤器) / Air cleaner assembly(prefilter)

序号 Item No	编 码 Code	图 号 Part No	零 部 件 名 称 Description	数 量 Q'ty	备 注 Remark
1	56171002201	JB/T8870	喉箍d80(60~80) Hoop d80(60~80)	4	
2	30001106059	LG0030DIII.01.05-002	成型管 Molding pipe	1	
3	51421090115	GB/T97.1	垫圈8 Washer 8	2	
4	51401090107	GB/T93	垫圈8 Washer 8	2	
5	51307000919	GB/T6170	螺母M8 Nut M8	2	
6	30001014825	30D-0111100	空滤器总成 Air cleaner assembly	1	
7	30001013031	LG0030GTIII.01.01.01	钢管焊合 Steel tube weldment	1	
8	56171001001	JB/T8870	喉箍d70(50~70) Hoop d70(50~70)	3	
9	30001106084	LG0035GLTNDIII.19-002	成型管 Molding pipe	1	
10	30001106083	LG0035GLTNDIII.19-001	成型管 Molding pipe	1	
11	30001110007	LG0030DIII.01.01-005	空滤支架 Bracket	1	
12	60980005488	LG0030DIII.01.01-001	空气预滤器 Air pre-filter	1	
13	30001106301	LG0030DIII.01.01-006	垫块 Padding block	1	
14	51158170604	GB/T818	螺钉M5X16 Screw M5×16	4	
15	51421070115	GB/T97.1	垫圈5 Washer 5	4	
16	51401070107	GB/T93	垫圈5 Washer 5	4	

散热器总成/Radiator assembly

D、DQA、DQE、DXC、DXN、DT、DTXB

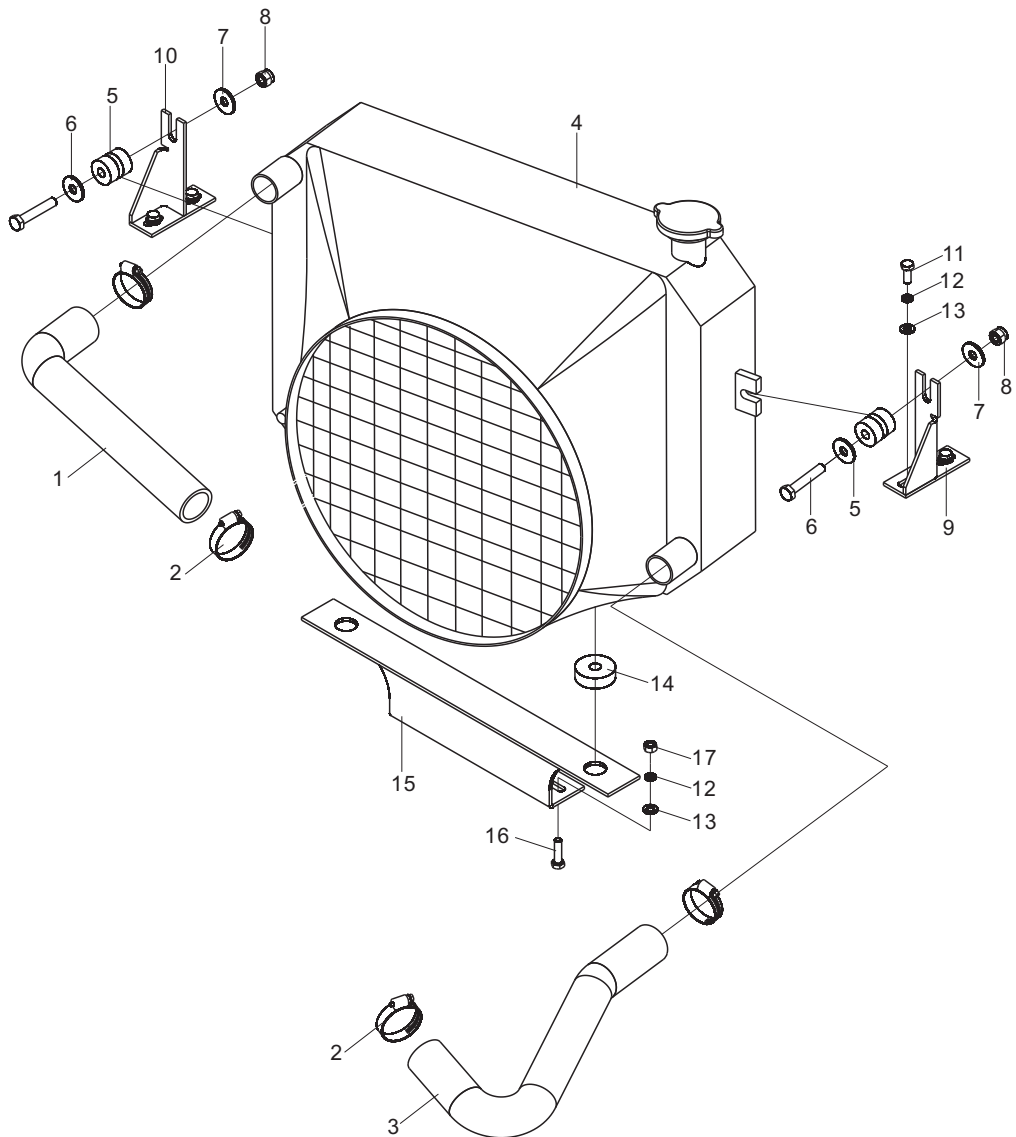


散热器总成/Radiator assembly

序号 Item No	编 码 Code	图 号 Part No	零 部 件 名 称 Description		数量 Q'ty	备 注 Remark
1	30001106002	30D-0121001	成型管	Molding pipe	1	
2	56171000601	JB/T8870	喉箍d50 (32~50)	Hoop d50(32~50)	4	
3	30001106003	30D-0121002	成型管	Molding pipe	1	
4	17101000402	30D-0121100	散热器总成 (铜管片)	Radiator Assembly	1	
5	30001109000	30D-0121003	减震垫	Rubber gasket	2	
6	60911011061	30D-0141004	六角螺栓	Hexagon bolt	2	
7	51420100121	GB/T96.1	垫圈10	Washer 10	4	
8	51341000519	GB/T889.1	螺母M8	Nut M8	2	
9	30001018107	LG0030DIII.01.04.01	支架焊合	Bracket weldment	1	
10	30001018108	LG0030DIII.01.04.02	支架焊合	Bracket weldment	1	
11	51204090914	GB/T5783	螺栓M8×16	Bolt M8×16	4	
12	51401090107	GB/T93	垫圈8	Washer 8	6	
13	51421090115	GB/T97.1	垫圈8	Washer 8	6	
14	30001109001	30D-0121004	减震垫	Rubber gasket	2	
15	30001018706	LG0030DIII.01.04.03	支座焊合	Bracket	1	
16	51204091214	GB/T5783	螺栓M8×30	Bolt M8×30	2	
17	51307000919	GB/T6170	螺母M8	Nut M8	2	

散热器总成/Radiator assembly

DDA

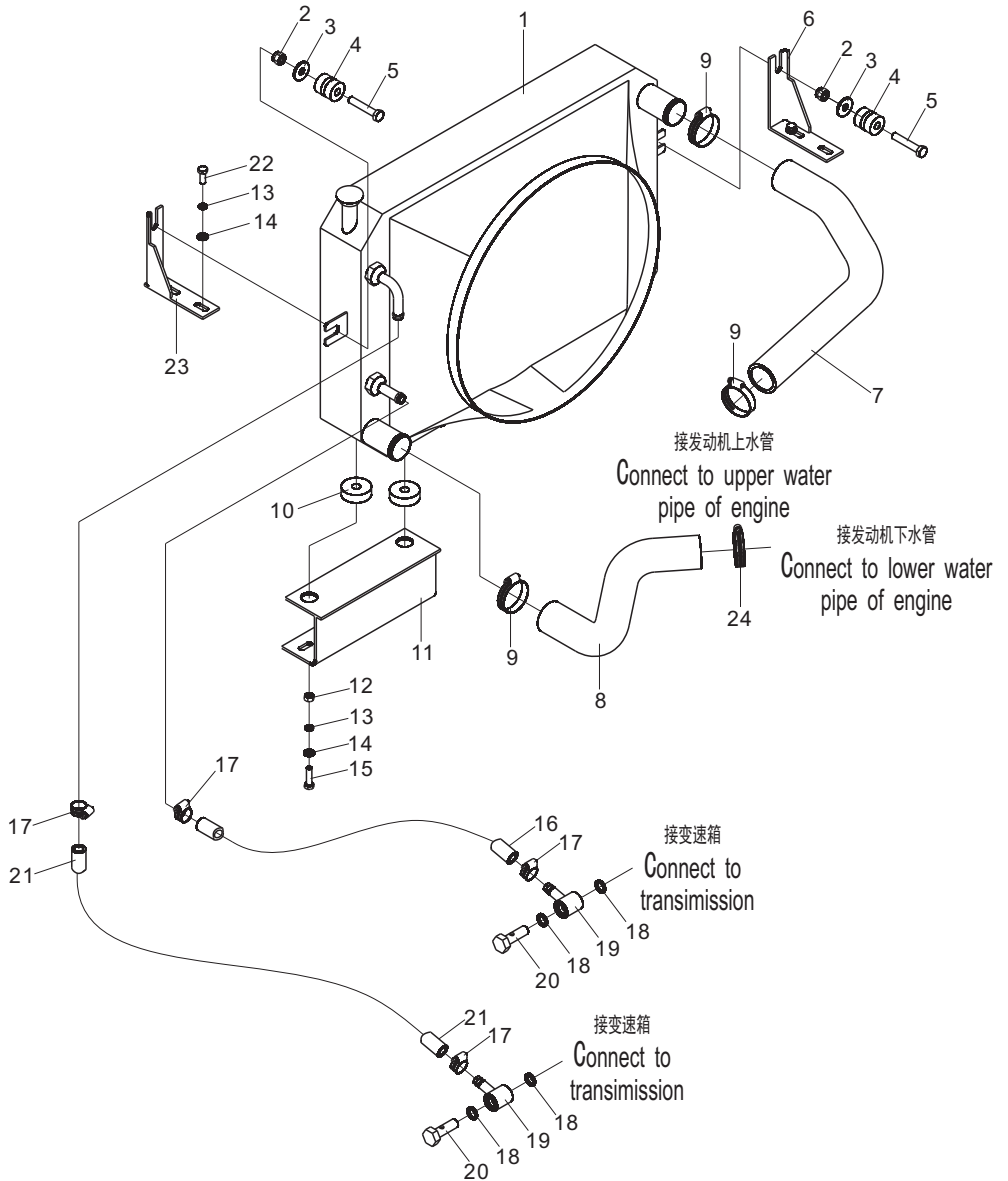


散热器总成/Radiator assembly

序号 Item No	编 码 Code	图 号 Part No	零 部 件 名 称 Description	数 量 Q'ty	备 注 Remark
1	30001106060	LG0030DTDAIII.01.04-001	成型管 Molding pipe	1	
2	56171002701	JB/T8870	喉箍d60 (40~60) Hoop d60(40~60)	4	
3	30001106061	LG0030DTDAIII.01.04-002	成型管 Molding pipe	1	
4	30001016375	LG0030DDAIII.01.01.01	散热器总成 Radiator Assembly	1	
5	30001109000	30D-0121003	减震垫 Rubber gasket	2	
6	60911011061	30D-0141004	六角螺栓 Hexagon bolt	2	
7	51420100121	GB/T96.1	垫圈10 Washer 10	4	
8	51341000519	GB/T889.1	螺母M8 Nut M8	2	
9	30001018111	LG0030DTDAIII.01.04.04	支架焊合 Bracket weldment	1	
10	30001018110	LG0030DTDAIII.01.04.02	支架焊合 Bracket weldment	1	
11	51204090914	GB/T5783	螺栓M8×16 Bolt M8×16	4	
12	51401090107	GB/T93	垫圈8 Washer 8	6	
13	51421090115	GB/T97.1	垫圈8 Washer 8	6	
14	30001109001	30D-0121004	减震垫 Rubber gasket	2	
15	30001018109	LG0030DTDAIII.01.04.03	支架焊合 Bracket weldment	1	
16	51204091214	GB/T5783	螺栓M8×30 Bolt M8×30	2	
17	51307000919	GB/T6170	螺母M8 Nut M8	2	

散热器总成/Radiator assembly

DTDA, DTDB, DTSB

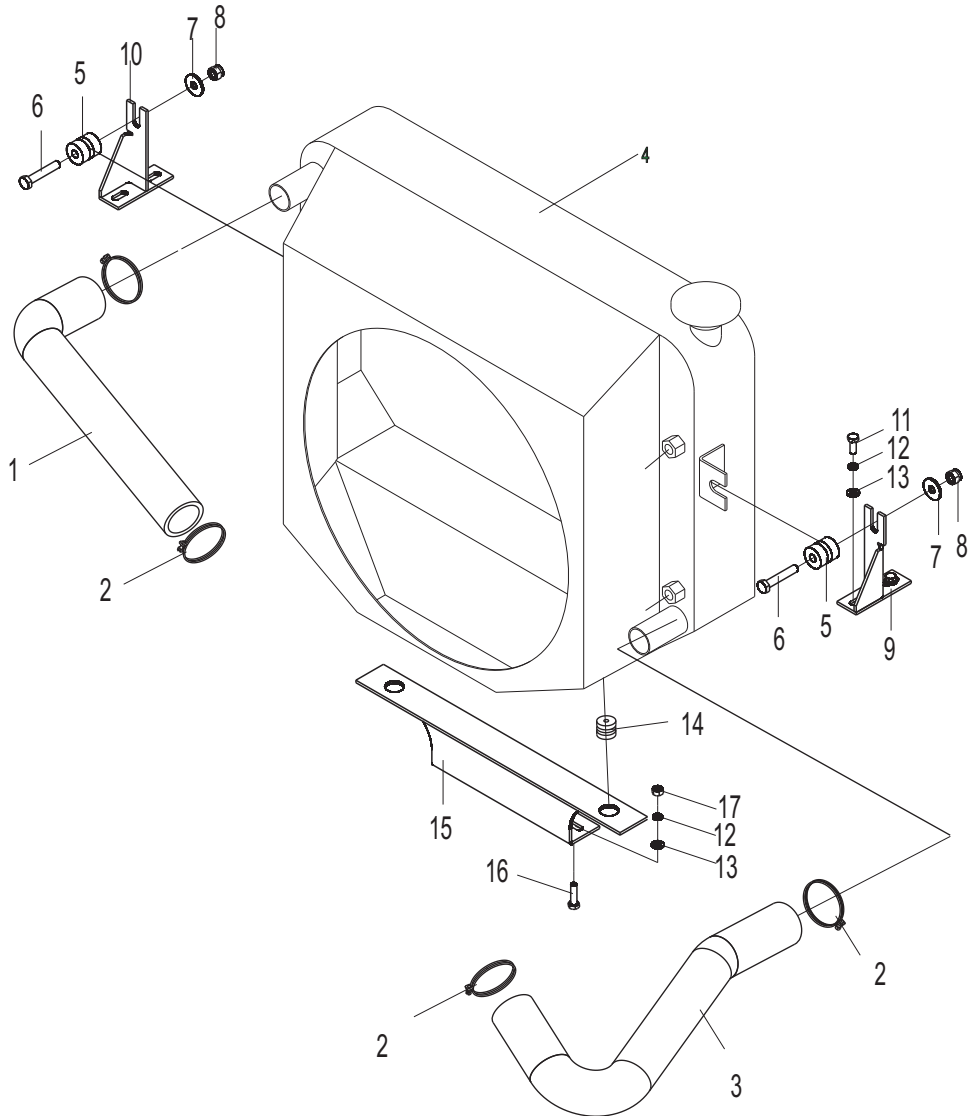


散热器总成/Radiator assembly

序号 Item No	编 码 Code	图 号 Part No	零 部 件 名 称 Description	数量 Q'ty	备 注 Remark
1	30001016358	LG0030DTDAⅢ.01.04.01	散热器总成 Radiator assembly	1	DTDA/DTDB
	60700000142	LG0030DTSBⅢ.01.03.01	散热器总成 Radiator assembly	1	DTSB
2	51341000519	GB/T889.1	螺母M8 Nut M8	2	
3	51420100121	GB/T96.1	垫圈10 Washer 10	6	
4	30001109000	30D-0121003	减震垫 Rubber gasket	2	
5	60911011061	30D-0141004	六角螺栓 Hexagon bolt	2	
6	30001018111	LG0030DTDAⅢ.01.04.04	支架焊合 Bracket weldment	1	DTDA/DTDB
	30001018107	LG0030DTDAⅢ.01.04.01	支架焊合 Bracket weldment	1	DTSB
7	30001106061	LG0030DTDAⅢ.01.04-002	成型管 Molding pipe	1	DTDA/DTDB
	60700000138	LG0030DTSBⅢ.01.03-002	成型管 Molding pipe	1	DTSB
8	30001106060	LG0030DTDAⅢ.01.04-001	成型管 Molding pipe	1	DTDA/DTDB
	60700000137	LG0030DTSBⅢ.01.03-001	成型管 Molding pipe	1	DTSB
9	56171002701	JB/T8870	喉箍d60(40~60) Hoop d60(40~60)	4	DTSB机型3个
10	30001109001	30D-0121004	减震垫 Rubber gasket	2	
11	30001018109	LG0030DTDAⅢ.01.04.03	支架焊合 Bracket weldment	1	DTDA/DTDB
	30001018148	LG0030DTSBⅢ.01.03.02	支架焊合 Bracket weldment	1	DTSB
12	51307000919	GB/T6170	螺母M8 Nut M8	2	
13	51401090107	GB/T93	垫圈8 Washer 8	6	
14	51421090115	GB/T97.1	垫圈8 Washer 8	6	
15	51204091214	GB/T5783	螺栓M8×30 Bolt M8×30	2	
16	30001109241	LG0030DTDAⅢ.01.04-003	胶管 Hose	1	
17	56171002301	JB/T8870	喉箍d25(16~25) Hoop d25(16~25)	4	
18	56147010301	JB/T982	组合垫圈14 Washer14	4	
19	30001109500	LG0030DT.01.01-005	铰接体 Joint	2	
20	30001109400	LG0030DT.01.01-004	铰接螺栓 Hinged bolt	2	
21	60911010541	LG0100DT.13-004	胶管 Hose	1	
22	51204090914	GB/T5783	螺栓M8×16 Bolt M8×16	4	
23	30001018110	LG0030DTDAⅢ.01.04.02	支架焊合 Bracket weldment	1	DTDA/DTDB
	30001018108	LG0030DTDAⅢ.01.04.02	支架焊合 Bracket weldment	1	DTSB
24	56171001001	JB/T8870	喉箍d70(50~70) Hoop d70(50~70)	1	DTSB

散热器总成/Radiator assembly

DT, DTQA, DTQE, DTXB, DTXC, DTXK, DTXL, DTXN, DTXP

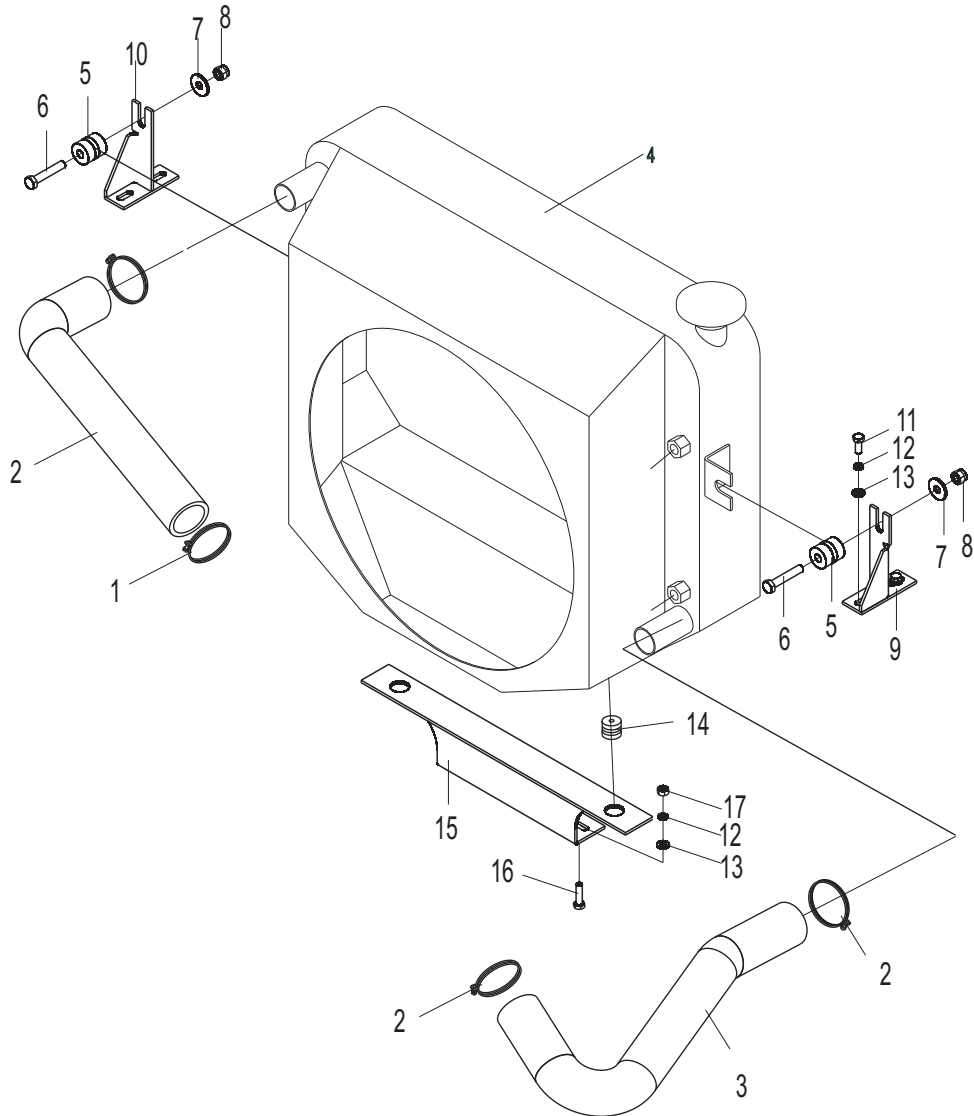


散热器总成/Radiator assembly

序号 Item No	编 码 Code	图 号 Part No	零部件名称 Description	数量 Q'ty	备 注 Remark
1	30001106002	30D-0121001	成型管 Molding pipe	1	
2	56171000601	JB/T8870	喉箍d50 (32~50) Hoop d50(32~50)	4	
3	30001106003	30D-0121002	成型管 Molding pipe	1	
4	17101000389	30T-0101100	散热器总成（铜管片） Radiator Assembly	1	
5	30001109000	30D-0121003	减震垫 Rubber gasket	2	
6	60911011061	30D-0141004	六角螺栓 Hexagon bolt	2	
7	51420100121	GB/T96.1	垫圈10 Washer 10	4	
8	51341000519	GB/T889.1	螺母M8 Nut M8	2	
9	30001018107	LG0030DIII.01.04.01	支架焊合 Bracket weldment	1	
10	30001018108	LG0030DIII.01.04.02	支架焊合 Bracket weldment	1	
11	51204090914	GB/T5783	螺栓M8×16 Bolt M8×16	4	
12	51401090107	GB/T93	垫圈8 Washer 8	6	
13	51421090115	GB/T97.1	垫圈8 Washer 8	6	
14	30001109001	30D-0121004	减震垫 Rubber gasket	2	
15	30001018706	LG0030DIII.01.04.03	支座焊合 Bracket	1	
16	51204091214	GB/T5783	螺栓M8×30 Bolt M8×30	2	
17	51307000919	GB/T6170	螺母M8 Nut M8	2	

散热器总成/Radiator assembly

DTIA、DTIB、DIA、DTJA、DTJB

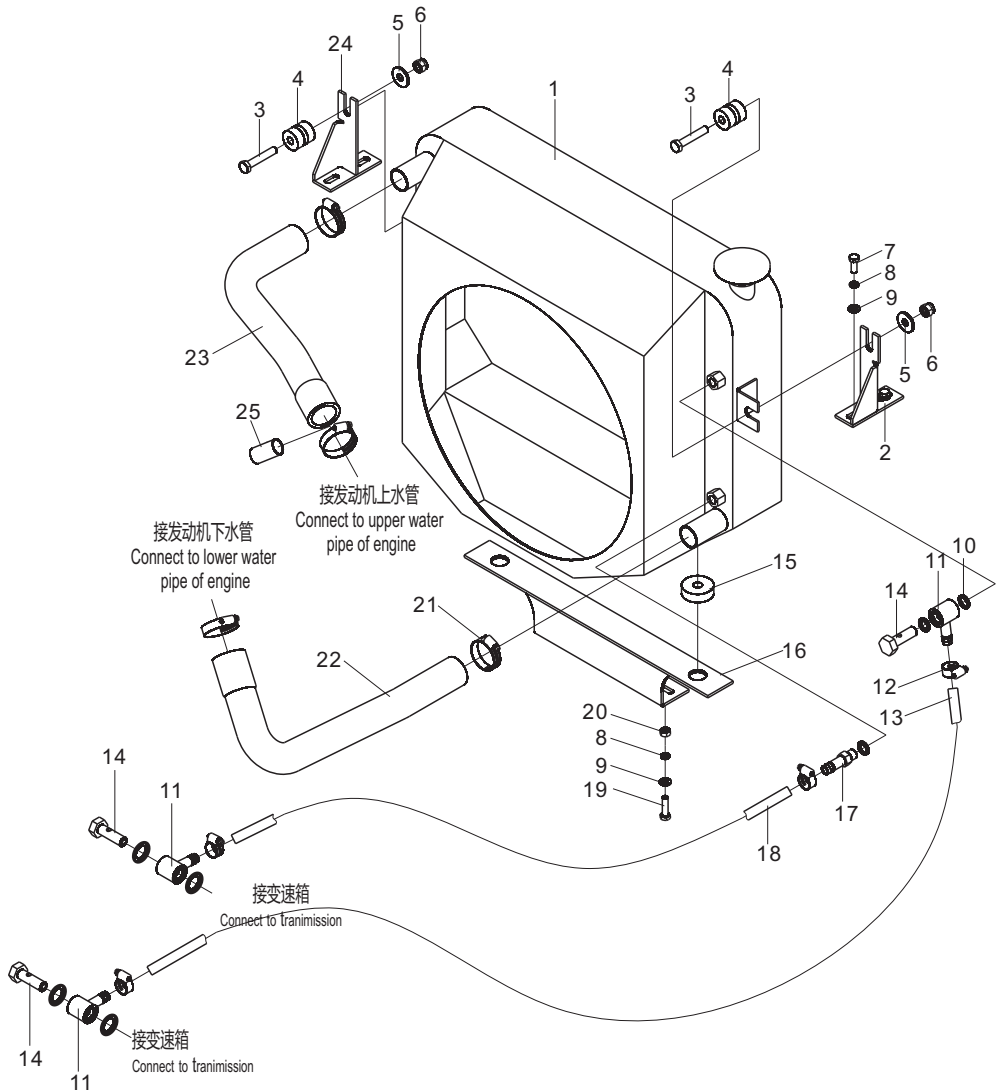


散热器总成/Radiator assembly

序号 Item No	编 码 Code	图 号 Part No	零部件名称 Description		数量 Q'ty	备 注 Remark
1	56171000601	JB/T8870	喉箍d50 (32~50)	Hoop d50(32~50)	4	
2	30001106097	LG0025DTIAIII.01.02-001	成型管	Molding pipe	1	DTIA/DTIB/DIA
	30001106047	LG0030DTIG.01.02-001	成型管	Molding pipe	1	DIG
	30001106008	LG0030DTIE.01.02-001	成型管	Molding pipe	1	DTJA/DTJB
3	30001106050	LG0025DTIA.01.02-001	成型管	Molding pipe	1	DTIA/DTIB/DIA
	60700000378	LG0030DTIHIII.01.04-002	成型管	Molding pipe	1	DIG
	30001106078	LG0030DTJAIII.01.01-001	成型管	Molding pipe	1	DTJA/DTJB
4	30001016309	LG0025DTIA.01.02.01	散热器总成	Radiator assembly	1	DTIA/DTIB
	30001016392	LG0030DIAIII.01.01.01	散热器总成	Radiator assembly	1	DIA
	17101000631	LG0030DIGIII.01.01.02	散热器总成	Radiator assembly	1	DIG
	30001016363	LG0030DTJAIII.01.01.01	散热器总成	Radiator assembly	1	标配 DTJA/DTJB
	30001016372	LG0030DTJAIII.01.01.03	散热器总成	Radiator assembly	1	选配 DTJA/DTJB
5	30001109004	LG0030D.01.02-003	减震垫	Rubber gasket	4	DTIA/DTIB
	30001109000	30D-0121003	减震垫	Rubber gasket	2	DIA/DIG/DTJA/DTJB
6	60911011061	30D-0141004	六角螺栓	Hexagon bolt	2	
7	51420100121	GB/T96.1	垫圈10	Washer 10	4	
8	51341000519	GB/T889.1	螺母M8	Nut M8	2	
9	30001018119	LG0025DTIAIII.01.02.01	支架焊合	Bracket weldment	1	DTIA/DTIB/DIA
	30001018107	LG0030DIII.01.04.01	支架焊合	Bracket weldment	1	DIG/DTJA/DTJB
10	30001018120	LG0025DTIAIII.01.02.02	支架焊合	Bracket weldment	1	DTIA/DTIB/DIA
	30001018108	LG0030DIII.01.04.02	支架焊合	Bracket weldment	1	DIG/DTJA/DTJB
11	51204090914	GB/T5783	螺栓M8×16	Bolt M8×16	4	
12	51401090107	GB/T93	垫圈8	Washer 8	6	
13	51421090115	GB/T97.1	垫圈8	Washer 8	6	
14	30001109001	30D-0121004	减震垫	Rubber gasket	2	
15	30001018121	LG0025DTIAIII.01.02.03	支座焊合	Support weldment	1	DTIA/DTIB/DIA
	30001018118	LG0030DTIHIII.01.04.02	支架焊合	Support weldment	1	DIG
	30001018709	LG0030DTJAIII.01.01.02	支座焊合	Support weldment	1	DTJA/DTJB
16	51204091214	GB/T5783	螺栓M8×30	Bolt M8×30	2	
17	51307000919	GB/T6170	螺母M8	Nut M8	2	

散热器总成/Radiator assembly

DTIG、DTIH、G、GL、GT、GNTND、GLT、GLTND、GTND、GLTPB

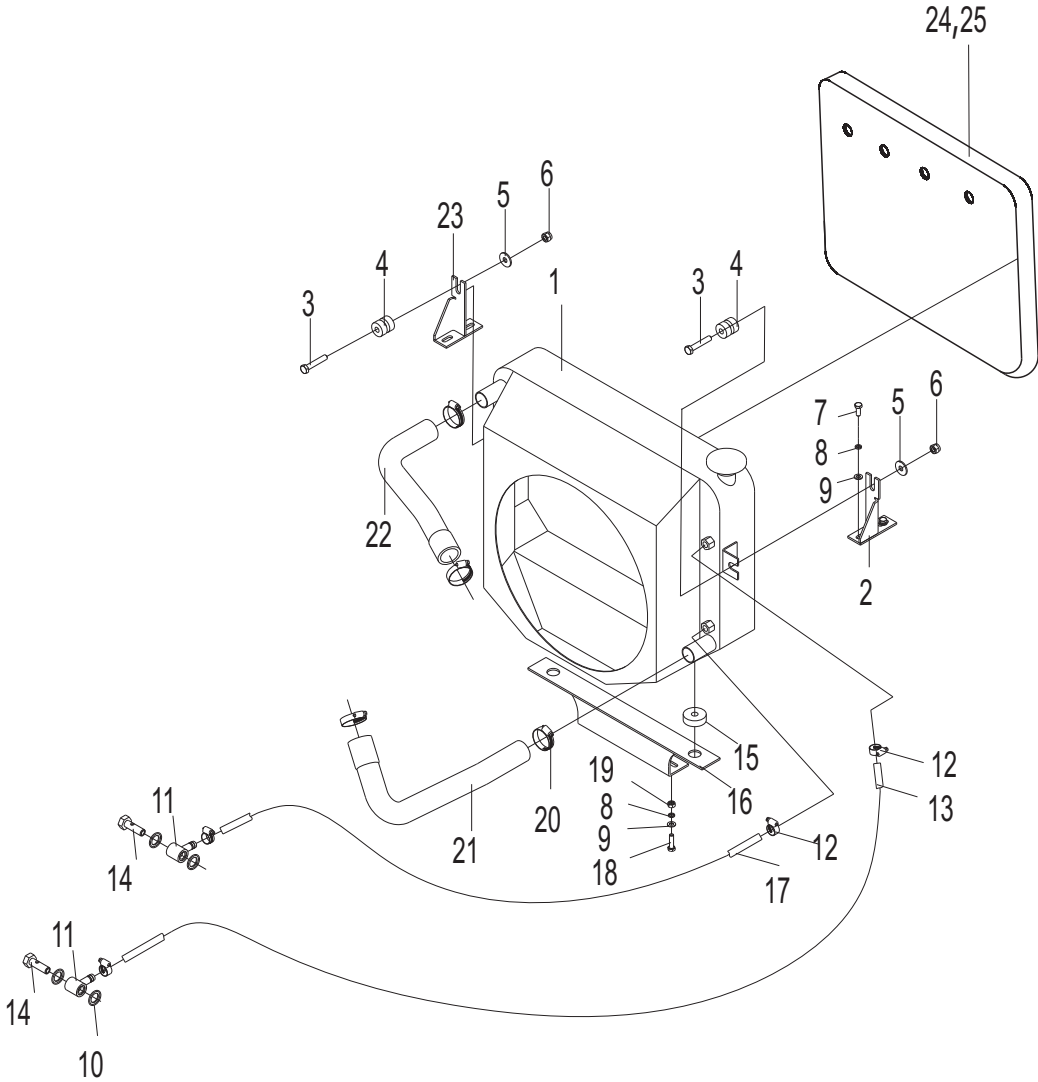


散热器总成/Radiator assembly

序号 Item No	编 码 Code	图 号 Part No	零部件名称 Description	数量 Q'ty	备 注 Remark	
1	17101000286	LG0035GLTNDIII.01.02.01	散热器总成	Radiator assembly	1	GT/GTND/GLT/ GLTND/GTND
	37119000077	LG0030DTIHIII.01.04.03C	散热器总成	Radiator assembly	1	DTIG/DTIH
	30001016390	LG0030GLTPBIII.01.03.01	散热器总成	Radiator assembly	1	GLTPB
	30001016398	LG0030GLIII.01.01.01	散热器总成	Radiator assembly	1	G/GL
2	30001018110	LG0030DTDAIII.01.04.02	支架焊合	Bracket weldment	1	GT/GTND/GLT/ GLTND/GTND/G/L
	30001018107	LG0030DIII.01.04.01	支架焊合	Bracket weldment	1	DTIG/DTIH/GLTPB
3	60911011061	30D-0141004	六角螺栓	Hegaxon bolt	2	
4	30001109000	30D-0121003	减震垫	Rubber gasket	2	
5	51420100121	GB/T96.1	垫圈10	Washer 10	6	
6	51341000519	GB/T889.1	螺母M8	Nut M8	2	
7	51204090914	GB/T5783	螺栓M8×16	Bolt M8×16	4	
8	51401090107	GB/T93	垫圈8	Washer 8	6	
9	51421090115	GB/T97.1	垫圈8	Washer 8	6	
10	56147010301	JB/T982	组合垫圈14	Washer 14	7	GNTND/GLT/GLTND/ GT/GTND/DTIG/DTIH
	56147010301	JB/T982	组合垫圈14	Washer 14	4	GLTPB
11	30001109500	LG0030DT.01.01-005	铰接体	Hinged body	3	GNTND/GLT/GLTND/ GT/GTND/DTIG/DTIH
	30001109500	LG0030DT.01.01-005	铰接体	Hinged body	2	GLTPB
12	56171002301	JB/T8870	喉箍d25 (16~25)	Clip d25(16~25)	4	G/GL无
13	30001109205	LG0030GLT.01.02-009	胶管	Hose	1	GNTND/GLT/GLTND/ GT/GTND/DTIG/DTIH
	30001109241	LG0030DTDAIII.01.04-003	胶管	Hose	1	GLTPB
14	30001109400	LG0030DT.01.01-004	铰接螺栓	Hinged bolt	3	GNTND/GLT/GLTND/ GT/GTND/DTIG/DTIH
	30001109400	LG0030DT.01.01-004	铰接螺栓	Hinged bolt	2	GLTPB
15	30001109001	30D-0121004	减震垫	Rubber gasket	2	
16	30001018112	LG0035GLTNDIII.01.02.02	支架焊合	Bracket weldment	1	GT/GTND/GLT/ GLTND/GTND/G/L
	30001018118	LG0030DTIHIII.01.04.02	支架焊合	Bracket weldment	1	DTIG/DTIH
	30001018135	LG0030GLTPBIII.01.03.02	支架焊合	Bracket weldment	1	GLTPB
17	17601000555	LG0030DT.01.01-006	过渡接头	Transition connector	1	G/GL/GLTPB无
18	30001109206	LG0030GLT.01.02-010	胶管	Hose	1	GNTND/GLT/GLTND/ GT/GTND/DTIG/DTIH
	60911010541	LG0100DT.13-004	胶管	Hose	1	GLTPB
19	51204091214	GB/T5783	螺栓M8×30	Bolt M8×30	2	
20	51307000919	GB/T6170	螺母M8	Nut M8	2	
21	56171000601	JB/T8870	喉箍d50 (32~50)	Hoop d50(32~50)	4	GNTND/GLT/GLTND/ GT/GTND/DTIG/DTIH
	56171002701	JB/T8870	喉箍d60 (40~60)	Hoop d60(40~60)	4	GLTPB
22	30001106015	LG0030GLT.01.02-001	成型管	Molding pipe	1	GT/GTND/GLT/ GLTND/GTND/G/L
	60700000378	LG0030DTIHIII.01.04-002	成型管	Molding pipe	1	DTIG/DTIH
	30001106127	LG0030GLTPBIII.01.03-002	成型管	Molding pipe	1	GLTPB

散热器总成/Radiator assembly

DTMA、DTMB

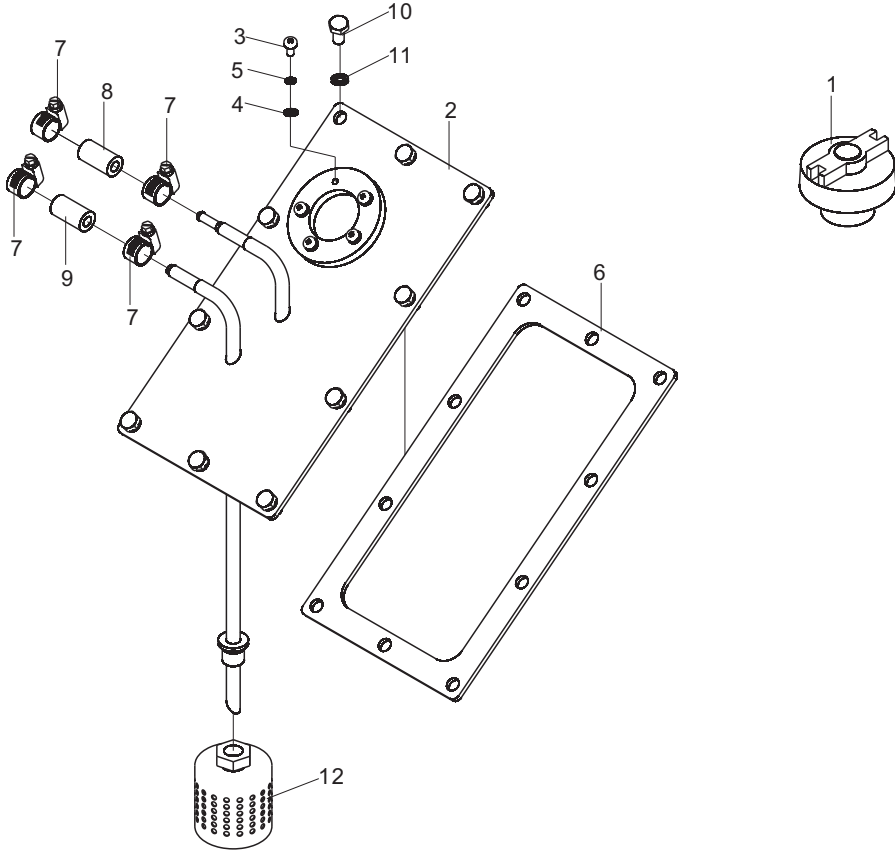


散热器总成/Radiator assembly

序号 Item No	编 码 Code	图 号 Part No	零部件名称 Description	数量 Q'ty	备 注 Remark
1	30001016399	LG0030DTMAIII.01.04.06	散热器总成 Radiator assembly	1	
2	30001018129	LG0030DTMAIII.01.04.04	支架焊合 Bracket weldment	1	
3	60911011061	30D-0141004	六角螺栓 Hexagon bolt	2	
4	30001109000	30D-0121003	减震垫 Rubber gasket	2	
5	51420100121	GB/T96.1	垫圈10 Washer 10	4	
6	51341000519	GB/T889.1	螺母M8 Nut M8	2	
7	51204090914	GB/T5783	螺栓M8×16 Bolt M8×16	8	
8	51401090107	GB/T93	垫圈8 Washer 8	10	
9	51421090115	GB/T97.1	垫圈8 Washer 8	6	
10	56147010301	JB/T982	组合垫圈14 Washer 14	4	
11	30001109500	LG0030DT.01.01-005	铰接体 Hinged body	2	
12	56171002301	JB/T8870	喉箍d25(16~25) Hoop d25(16~25)	4	
13	30001109234	LG0030DT.01.01-002	胶管 Hose	1	
14	30001109400	LG0030DT.01.01-004	铰接螺栓 Hinged bolt	2	
15	30001109001	30D-0121004	减震垫 Rubber gasket	2	
16	30001018127	LG0030DTMAIII.01.04.02	支架焊合 Bracket weldment	1	
17	30001109235	LG0030DT.01.01-003	胶管 Hose	1	
18	51204091214	GB/T5783	螺栓M8×30 Bolt M8×30	2	
19	51307000919	GB/T6170	螺母M8 Nut M8	6	
20	56171002701	JB/T8870	喉箍d60(40~60) Hoop d60(40~60)	4	
21	30001106119	LG0030DTMAIII.01.04-002	成型管 Molding pipe	1	
22	30001106118	LG0030DTMAIII.01.04-001	成型管 Molding pipe	1	
23	30001018128	LG0030DTMAIII.01.04.03	支架焊合 Bracket weldment	1	
24	30001159200	LG0030DTMAIII.01.04-004	密封条 Seal stripe	1	
25	30001123000	LG0030DTMAIII.01.04-003	挡板 Baffle plate	1	

燃油装置总成/Fuel unit assembly

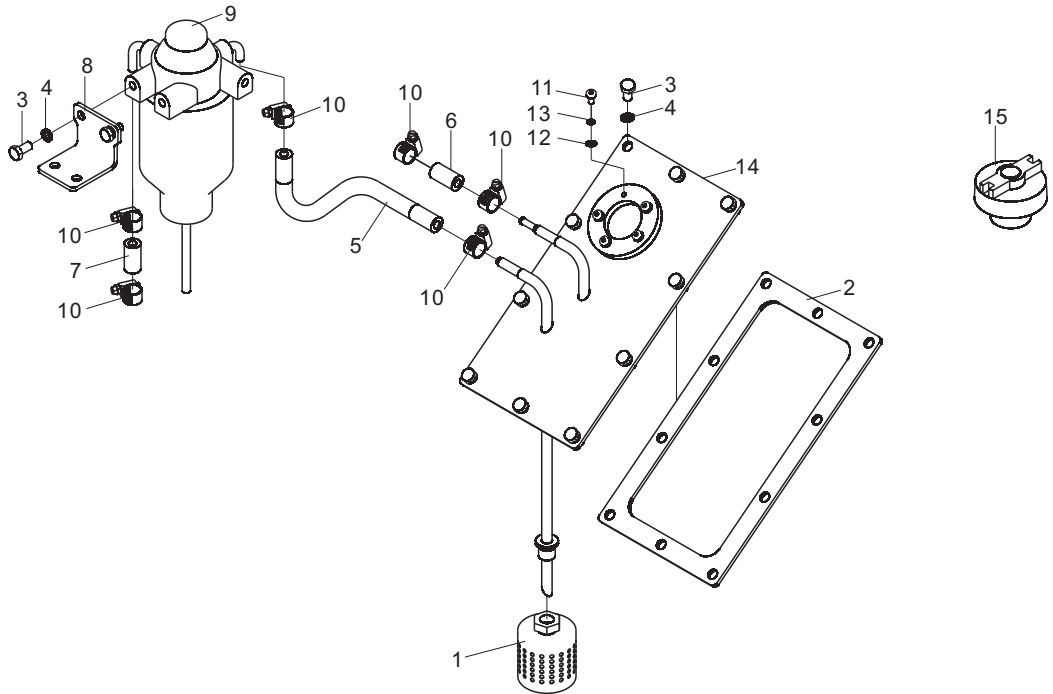
D、DDA、DQE、DT、DXN、DTDA、DTDB、DTGA、DTQA、DTQE、DTXB、DTXC、DTXK、DTXL、DTXN、DTXP



序号 Item No	编 码 Code	图 号 Part No	零 部 件 名 称 Description	数量 Q'ty	备 注 Remark
1	60980000847	LG0060DT.08-008	加油口盖 Oil filler cap	1	
2	30001015907	LG0030DⅢ.01.02.01	燃油箱盖板焊合 Cover plate weldment	1	
3	51158170404	GB/T818	螺钉M5X12 Screw M5×12	5	
4	51421070115	GB/T97.1	垫圈5 Washer 5	5	
5	51401070107	GB/T93	垫圈5 Washer 5	5	
6	30001111500	LG0030DⅢ.01.02-001	密封垫 Seal gasket	1	
7	56171000101	JB/T8870	喉箍d16(10~16) Hoop d16(10~16)	4	
8	30001109218	LG0030DⅢ.01.02-002	胶管 Hose	1	
9	30001109228	LG0030DⅢ.01.02-003	胶管 Hose	1	
10	51204090914	GB/T5783	螺栓M8X16 Bolt M8×16	10	
11	51401090107	GB/T93	垫圈8 Washer 8	10	
12	30001015101	30D-0131200	滤芯总成 Filter element	1	

燃油装置总成/Fuel unit assembly

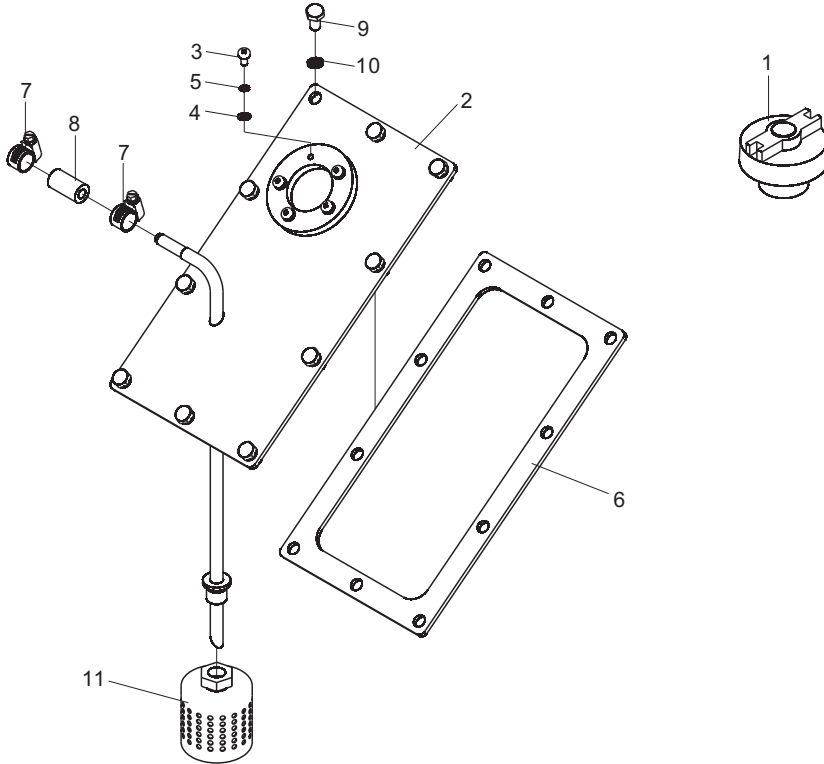
DIA、DIG、DTJA、DTJB、DTIA、DTIB、DTIG、DTIH



序号 Item No	编 码 Code	图 号 Part No	零部件名称 Description	数量 Q'ty	备 注 Remark
1	30001015101	30D-0131200	滤芯总成 Filter element	1	
2	30001111500	LG0030DIII.01.02-001	密封垫 Seal gasket	1	
3	51204090914	GB/T5783	螺栓M8X16 Bolt M8×16	12	
4	51401090107	GB/T93	垫圈8 Washer 8	12	
5	30001109243	LG0030DTIHIII.01.02-001	胶管 Hose	1	
6	30001109222	LG0030DTIHIII.01.02-005	胶管 Hose	1	
7	30001109245	LG0030DTIHIII.01.02-003	胶管 Hose	1	
8	30001115025	LG0030DTIHIII.01.02-004	支架 Bracket	1	
9	30001017800	LG0030DTIG.01.03.01	油水分离器 Oil-water separator	1	
10	56171000101	JB/T8870	喉箍d16(10~16) Hoop d16(10~16)	6	
11	51158170404	GB/T818	螺钉M5X12 Screw M5×12	5	
12	51421070115	GB/T97.1	垫圈5 Washer 5	5	
13	51401070107	GB/T93	垫圈5 Washer 5	5	
14	30001015907	LG0030DIII.01.02.01	燃油箱盖板焊合 Cover plate weldment	1	
15	60980000847	LG0060DT.08-008	加油口盖 Oil filler cap	1	

燃油装置总成 / Fuel unit assembly

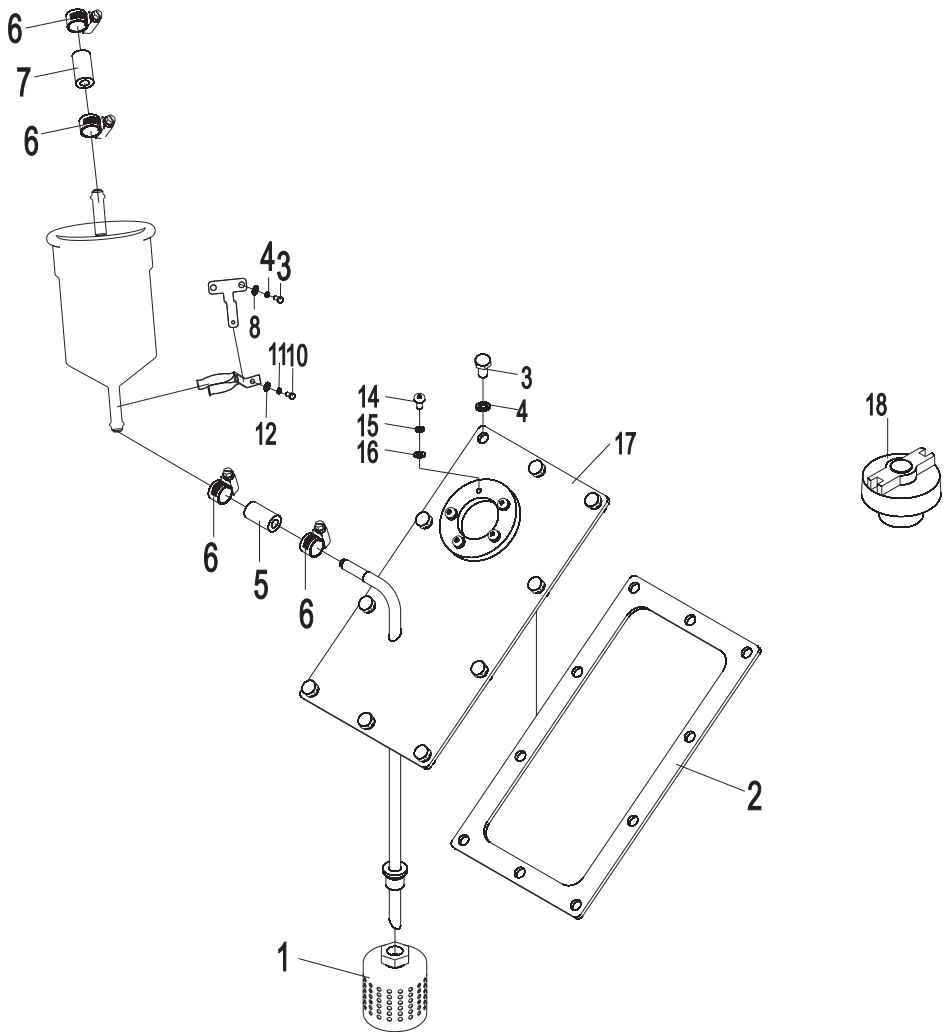
G, GL, GLT, GLTND, GT, 20GTND, 25GTND, 30GTND, 35GTND



序号 Item No	编 码 Code	图 号 Part No	零 部 件 名 称 Description	数量 Q'ty	备 注 Remark
1	60980000847	LG0060DT.08-008	加油口盖 Oil filler cap	1	
2	30001015914	LG0035GLTNDⅢ.01.04.01	燃油箱盖板焊合 Cover plate weldment	1	
3	51158170404	GB/T818	螺钉M5X12 Screw M5×12	5	
4	51421070115	GB/T97.1	垫圈5 Washer 5	5	
5	51401070107	GB/T93	垫圈5 Washer 5	5	
6	30001111500	LG0030DⅢ.01.02-001	密封垫 Seal gasket	1	
7	56171000101	JB/T8870	喉箍d16(10~16) Hoop d16(10~16)	2	
8	30001109228	LG0030DⅢ.01.02-003	胶管 Hose	1	
9	51204090914	GB/T5783	螺栓M8X16 Bolt M8×16	10	
10	51401090107	GB/T93	垫圈8 Washer 8	10	
11	30001015101	30D-0131200	滤芯总成 Filter element	1	

燃油装置总成/Fuel unit assembly

,GLTPB

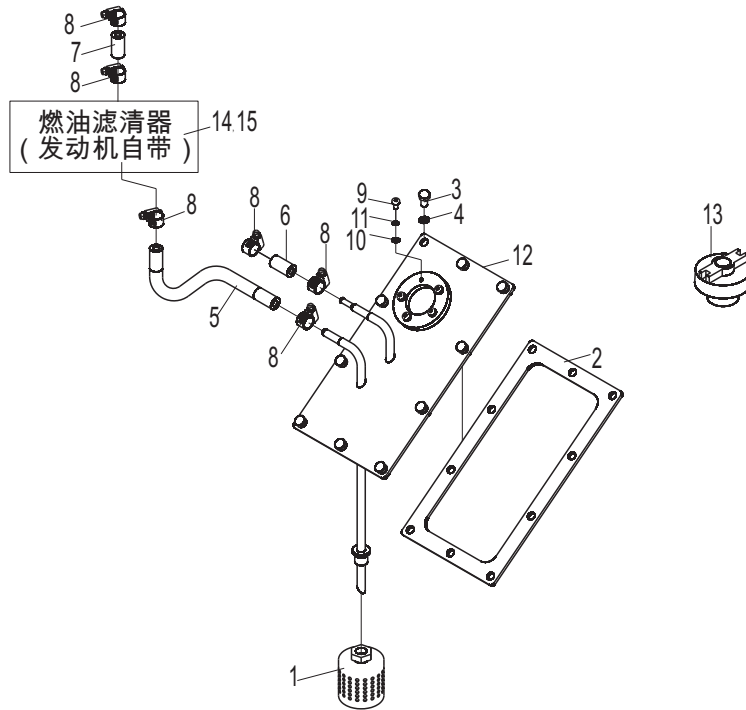


燃油装置总成/Fuel unit assembly

序号 Item No	编 码 Code	图 号 Part No	零 部 件 名 称 Description	数 量 Q'ty	备 注 Remark
1	30001015101	30D-0131200	滤芯总成 Filter element	1	
2	30001111500	LG0030DIII.01.02-001	密封垫 Seal gasket	1	
3	51204090914	GB/T5783	螺栓M8×16 Bolt M8×16	12	
4	51401090107	GB/T93	垫圈8 Washer 8	12	
5	30001109257	LG0030GLTPBIII.01.06-002	胶管 Hose	1	
6	56171000101	JB/T8870	喉箍d16(10~16) Hoop d16(10~16)	4	
7	30001109239	LG0030DTMAIII.01.02-002	胶管 Hose	1	
8	51421090115	GB/T97.1	垫圈8 Washer 8	2	
9	30001115041	LG0030GLTPBIII.01.06-001	支架 Bracket	1	
10	51204080914	GB/T5783	螺栓M6×16 Bolt M6×16	1	
11	51401080107	GB/T93	垫圈6 Washer 6	1	
12	51421080115	GB/T97.1	垫圈6 Washer 6	1	
13	30006018101	30D-0601000	支架焊合 Bracket weldment	1	
14	51158170404	GB/T818	螺钉M5×12 Screw M5×12	5	
15	51421070115	GB/T97.1	垫圈5 Washer 5	5	
16	51401070107	GB/T93	垫圈5 Washer 5	5	
17	30001015914	LG0035GLTNDIII.01.04.01	燃油箱盖板焊合 Cover plate weldment	1	
18	60980000847	LG0060DT.08-008	加油口盖 Oil filler cap	1	

燃油装置总成/Fuel unit assembly

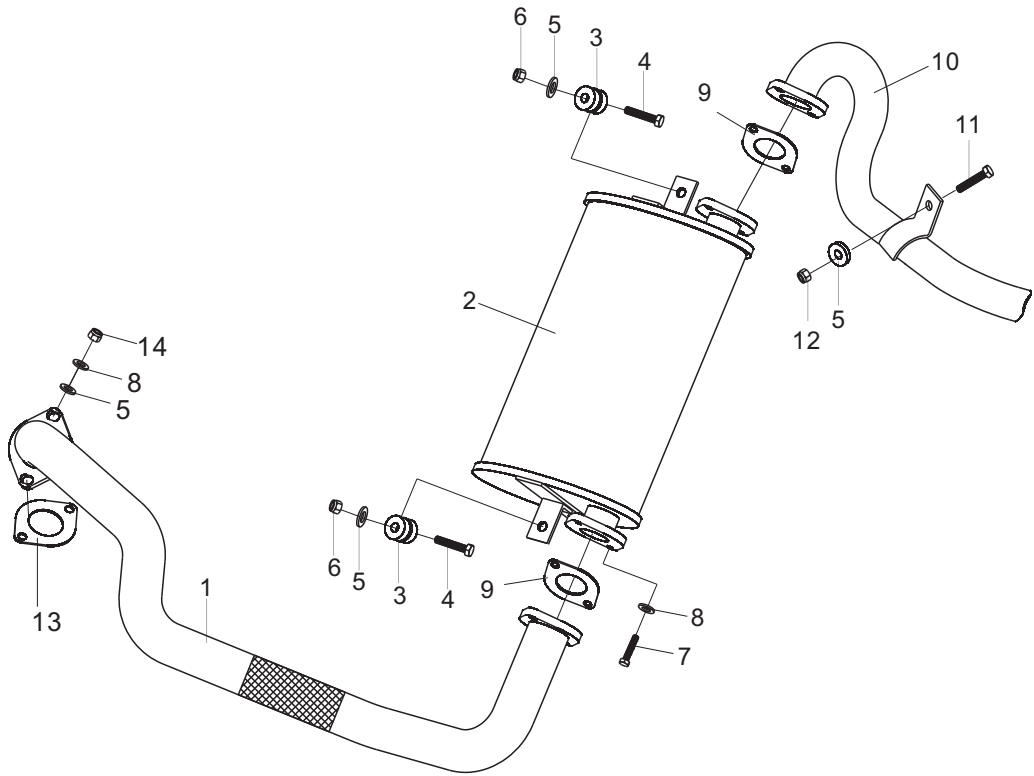
DTMA、DTMB



序号 Item No	编 码 Code	图 号 Part No	零部件名称 Description	数量 Q'ty	备 注 Remark
1	30001015101	30D-0131200	滤芯总成 Filter element	1	
2	30001111500	LG0030DTMIII.01.02-001	密封垫 Seal gasket	1	
3	51204090914	GB/T5783	螺栓M8×16 Bolt M8×16	10	
4	51401090107	GB/T93	垫圈8 Washer 8	10	
5	30001109238	LG0030DTMAIII.01.02-001	胶管 Hose	1	
6	30001109240	LG0030DTMAIII.01.02-003	胶管 Hose	1	
7	30001109239	LG0030DTMAIII.01.02-002	胶管 Hose	1	
8	56171000101	JB/T8870	喉箍d16(10~16) Hoop d16(10~16)	6	
9	51158170404	GB/T818	螺钉M5×12 Screw M5×12	5	
10	51421070115	GB/T97.1	垫圈5 Washer 5	5	
11	51401070107	GB/T93	垫圈5 Washer 5	5	
12	30001015907	LG0030DTMIII.01.02.01	燃油箱盖板焊合 Cover plate weldment	1	
13	60980000847	LG0060DT.08-008	加油口盖 Oil filler cap	1	
14	60101101303	LG0030DTMAIII.01.02.01	燃油滤清器 Fuel filter	1	
15	60101101304	LG0030DTMAIII.01.02.02	燃油滤清器支架 Fuel filter bracket	1	

消声器总成/Muffler assembly

D(T)、DIG、DTIG、DTIH、DTJA、DTJB、DTXB、DTHB、DTHD

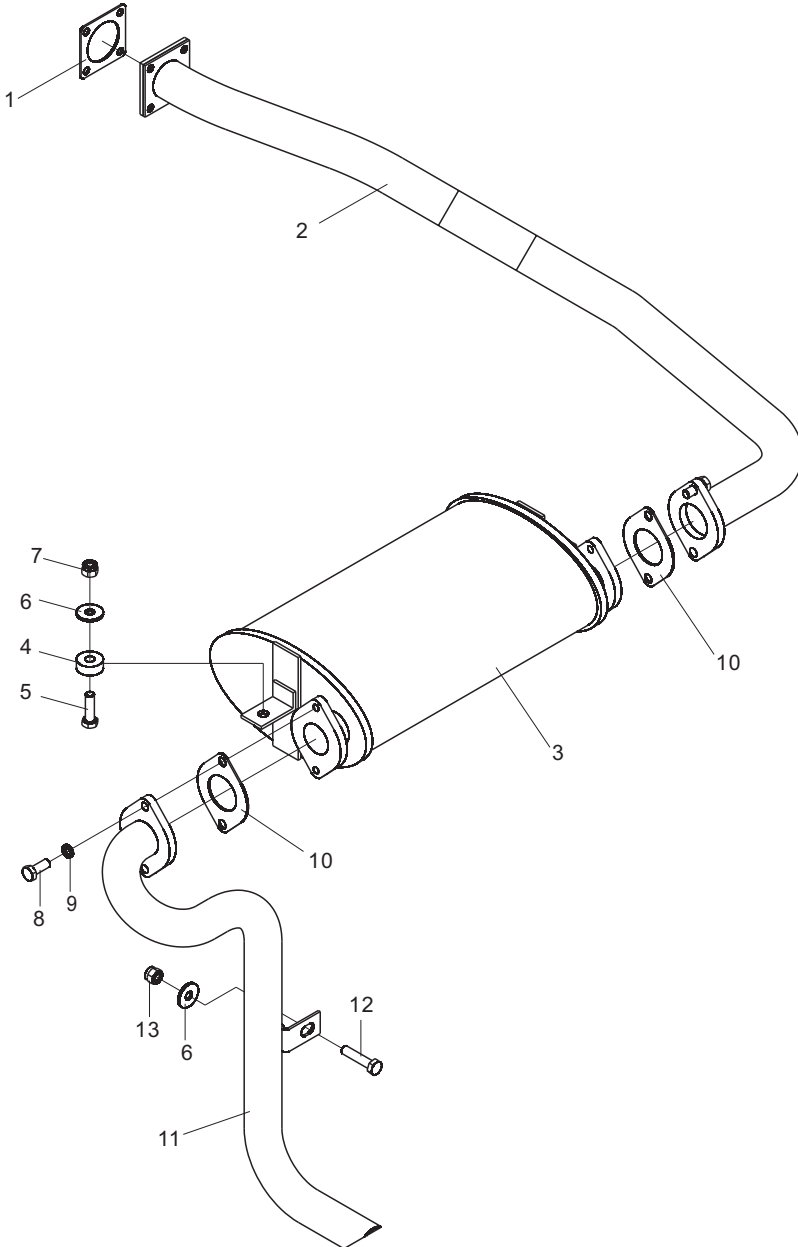


消声器总成/Muffler assembly

序号 Item No	编 码 Code	图 号 Part No	零部件名称 Description	数量 Q'ty	备 注 Remark
1	30001015703	LG0030DIII.01.03.01	前管总成 Front pipe assembly	1	D(T)/DTXB
	30001015708	LG0030DTJAIII.01.02.01	前管总成 Front pipe assembly	1	DTJA/DTJB
	30001015710	LG0030DTIHIII.01.05.01	前管总成 Front pipe assembly	1	DTIG/DTIG/DTIH
	60100002141	LG0030DTHBIII.01.03.01	前管总成 Front pipe assembly	1	DTHB/DTHD
2	30001016908	LG0030DIII.01.03.02	消声器焊合 Muffler weldment	1	
3	30001113900	30D-0141001	橡胶垫 Rubber shim	4	
4	60911011061	30D-0141004	六角螺栓 Hexagon bolt	2	
5	51420100121	GB/T96.1	垫圈10 Washer 10	5	DTHB/DTHB7个
6	51341000519	GB/T889.1	螺母M8 Nut M8	2	
7	51204101114	GB/T5783	螺栓M10×25 Bolt M10×25	4	DTHB/DTHD6个
8	51401100107	GB/T93	垫圈10 Washer 10	4	
9	30001111508	LG0030DIII.01.03.04	密封垫 Seal gasket	2	D(T)/DTXB/ DTHB/DTHD3个
10	30001015420	LG0030DIII.01.03.03	排气管总成 Vent-pipe assembly	1	3-3.5T
	30001015422	LG0025DIII.01.01.02	排气管总成 Vent-pipe assembly	1	2.2.5T
11	51204101614	GB/T5783	螺栓M10×50 Bolt M10×50	1	
12	51341000619	GB/T889.1	螺母M10 Nut M10	1	
13	30001111510	LG0030DTJAIII.01.02.02	密封垫 Seal gasket	1	DTJA/DTJB
	60100002140	LG0030DTHBIII.01.03.02	密封垫 Seal gasket	1	DTHB/DTHD
14	51309000319	GB/T6171	螺母M10×1.25 Nut M10×25	2	DTHB/DTHD

消声器总成/Muffler assembly

DIA,DTIA,DTIB,DDA,DTDA,DTDB,DTMA, DTMB,G,GL, GLT,GLTND,GNTND,GT, GTND

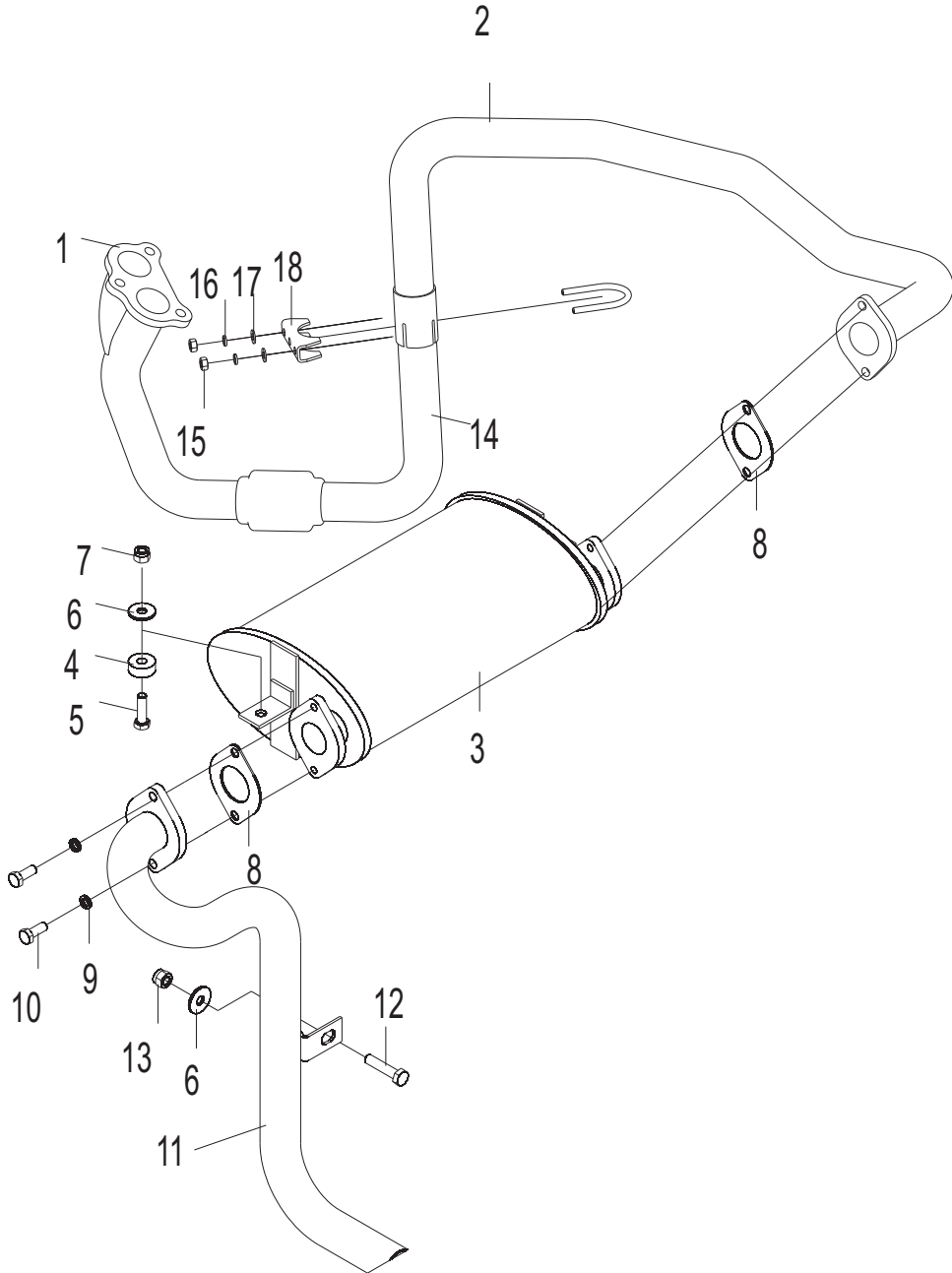


消声器总成/Muffler assembly

序号 Item No	编 码 Code	图 号 Part No	零 部 件 名 称 Description	数 量 Q'ty	备 注 Remark
1	30001111511	LG0025DTIAIII.01.03.03	密封垫 Seal gasket	1	D1A/DT1A/DT1B
	30001111509	LG0030DTDAIII.01.03.03	密封垫 Seal gasket	1	DDA/DTDA/DTDB
	30001111514	LG0030DTMAIII.01.03.01	密封垫 Seal gasket	1	DTMA/DTMB
2	30001015711	LG0025DTIAIII.01.03.01	前管总成 Front pipe assembly	1	D1A/DT1A/DT1B
	30001015704	LG0030DTDAIII.01.03.01	前管总成 Front pipe assembly	1	DDA/DTDA/DTDB
	30001015712	LG0035GLTNDIII.01.06.01	前管总成 Front pipe assembly	1	G/GL/GLT/DLTND/ GNTND/GT/GTND
	30001015714	LG0030DTMAIII.01.03.02	前管总成 Front pipe assembly	1	DTMA/DTMB
3	30001016908	LG0030DIII.01.03.02	消声器焊合 Muffler weldment	1	
4	30001113900	30D-0141001	橡胶垫 Rubber gasket	4	
5	60911011061	30D-0141004	六角螺栓 Hexagon bolt	2	
6	51420100121	GB/T96.1	垫圈10 Washer 10	5	
7	51341000519	GB/T889.1	螺母M8 Nut M8	2	
8	51204101114	GB/T5783	螺栓M10×25 Bolt M10×25	4	
9	51401100107	GB/T93	垫圈10 Washer 10	4	
10	30001111508	LG0030DIII.01.03.04	密封垫 Seal gasket	2	
11	30001015421	LG0030DTDAIII.01.03.02	排气管总成 Vent pipe assembly	1	3-3.5T
11	30001015431	LG0025DTIAIII.01.03.02	排气管总成 Vent pipe assembly	1	2-2.5T
12	51204101614	GB/T5783	螺栓M10×50 Bolt M10×50	1	
13	51341000619	GB/T889.1	螺母M10 Nut M10	1	

消声器总成/Muffler assembly

GLTPB

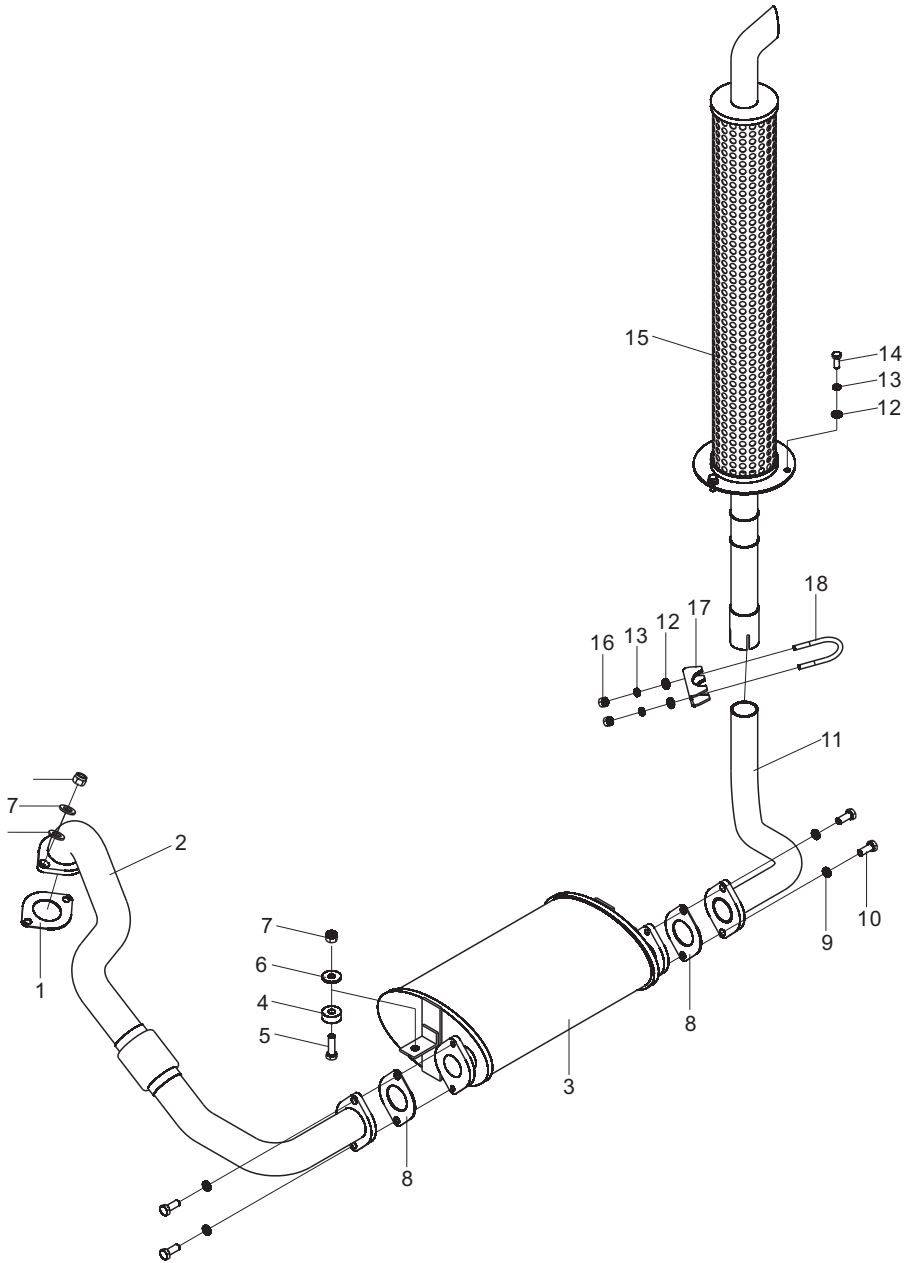


消声器总成/Muffler assembly

序号 Item No	编 码 Code	图 号 Part No	零部件名称 Description	数量 Q'ty	备 注 Remark
1	30001111517	LG0030GLTPBIII.01.04.03	密封垫 Seal gasket	1	发动机带
2	30001015705	LG0030GLTPBIII.01.04.01	前管总成 Front pipe assembly	1	
3	30001016908	LG0030DIII.01.03.02	消声器焊合 Muffler weldment	1	
4	30001113900	30D-0141001	橡胶垫 Rubber gasket	4	
5	60911011061	30D-0141004	六角螺栓 Hexagon bolt	2	
6	51420100121	GB/T96.1	垫圈10 Washer 10	5	
7	51341000519	GB/T889.1	螺母M8 Nut M8	2	
8	30001111508	LG0030DIII.01.03.04	密封垫 Seal gasket	2	
9	51401100107	GB/T93	垫圈10 Washer 10	4	
10	51204101114	GB/T5783	螺栓M10×25 Bolt M10×25	4	
11	30001015421	LG0030DTDAIII.01.03.02	排气管总成 Vent pipe assembly	1	
12	51204101614	GB/T5783	螺栓M10×50 Bolt M10×50	1	
13	51341000619	GB/T889.1	螺母M10 Nut M10	1	
14	30001015706	LG0030GLTPBIII.01.04.02	前管总成 Front pipe assembly	1	
15	51307000919	GB/T6170	螺母M8 Nut M8	2	
16	51421090115	GB/T97.1	垫圈8 Washer 8	2	
17	51401090107	GB/T93	垫圈8 Washer 8	2	
18	30001105101	LG0030D.01.04.02-001	U型卡环套 U-clamp sheath	1	
19	30001105001	LG0030D.01.04.02-002	U型卡环 U-clamp	1	

消声器总成(高排) / Muffler assembly(High exhaust)

D(T)、DIG、DTIG、DTIH、DTJA、DTJB、DTXB

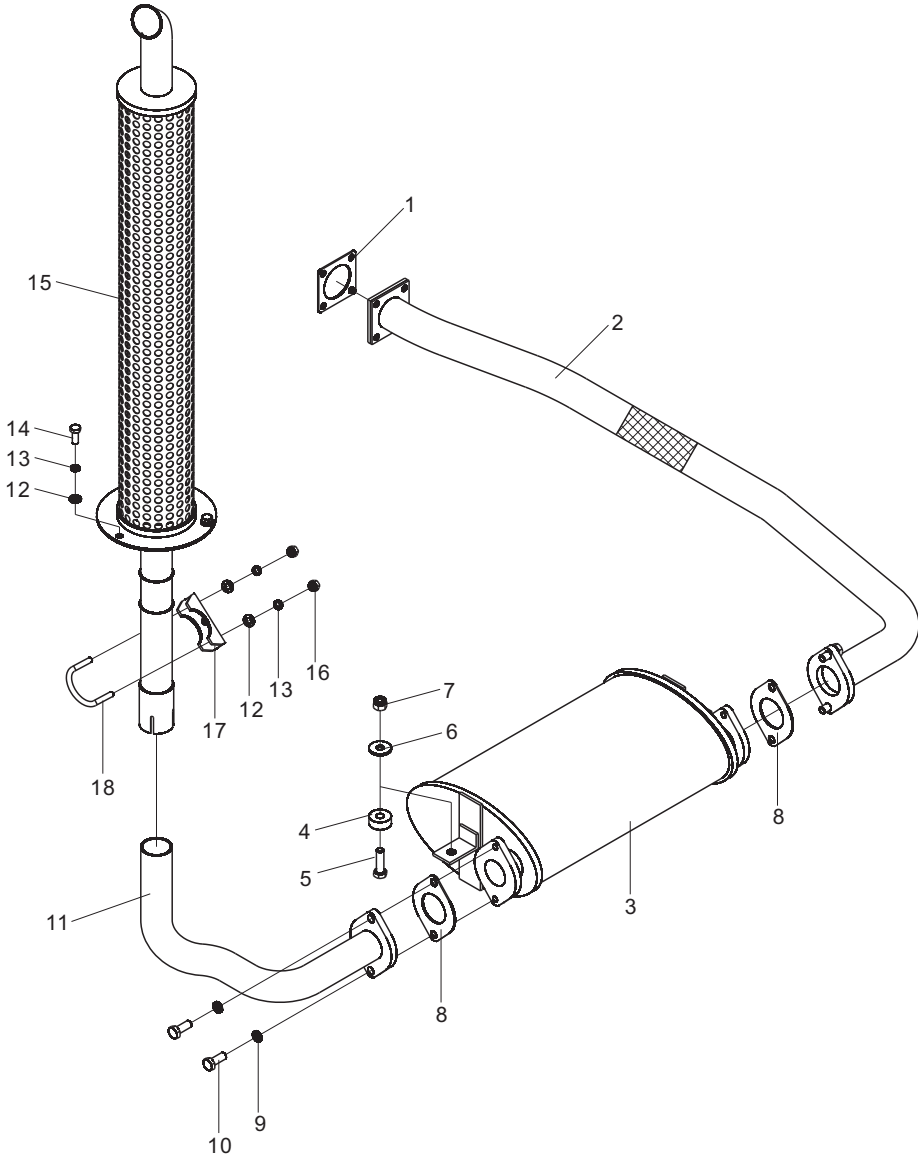


消声器总成(高排) / Muffler assembly(High exhaust)

序号 Item No	编 码 Code	图 号 Part No	零 部 件 名 称 Description	数 量 Q'ty	备 注 Remark
1	30001111510	LG0030DTJAIII.01.02.02	密封垫 Seal gasket	1	DTJA/DTJB机型
	60100002140	LG0030DTHBIII.01.03.02	密封垫 Seal gasket	1	DTHB
2	30001015703	LG0030DIII.01.03.01	前管总成 Front pipe assembly	1	D(T)/DTXB机型
	30001015708	LG0030DTJAIII.01.02.01	前管总成 Front pipe assembly	1	DTJA/DTJB机型
	30001015710	LG0030DTIHIII.01.05.01	前管总成 Front pipe assembly	1	DIG/DTIG/DTIH
	60100002141	LG0030DTHBIII.01.03.01	前管总成 Front pipe assembly	1	DTHB
3	30001016908	LG0030DIII.01.03.02	消声器焊合 Muffler weldment	1	
4	30001113900	30D-0141001	橡胶垫 Rubber gasket	4	
5	60911011061	30D-0141004	六角螺栓 Hexagon bolt	2	DTHB 6个
6	51420100121	GB/T96.1	垫圈10 Washer 10	4	
7	51341000519	GB/T889.1	螺母M8 Nut M8	2	
8	30001111508	LG0030DIII.01.03.04	密封垫 Seal gasket	2	D(T)/DTXB 3个
9	51401100107	GB/T93	垫圈10 Washer 10	4	DTHB 6个
10	51204101114	GB/T5783	螺栓M10×25 Bolt M10×25	4	
11	30001015002	LG0030DIII.01.06.02	连接管总成 Connecting pipe	1	
12	51421090115	GB/T97.1	垫圈8 Washer 8	5	
13	51401090107	GB/T93	垫圈8 Washer 8	5	
14	51204091014	GB/T5783	螺栓M8×20 Bolt M8×20	3	
15	30001015430	LG0030DIII.01.06.01	排气管总成 Vent-pipe assembly	1	
16	51307000919	GB/T6170	螺母M8 Nut M8	2	
17	30001105101	LG0030D.01.04.02-001	U型卡环套 U-clamp sheath	1	
18	30001105001	LG0030D.01.04.02-002	U型卡环 U-clamp	1	
19	51309000319	GB/T6171	螺母M10×1.25 Nut M10×1.25	2	DTHB

消声器总成(高排) / Muffler assembly(High exhaust)

DIA,DTIA,DTIB,DDA,DTDA,DTDB,DTMA, DTMB

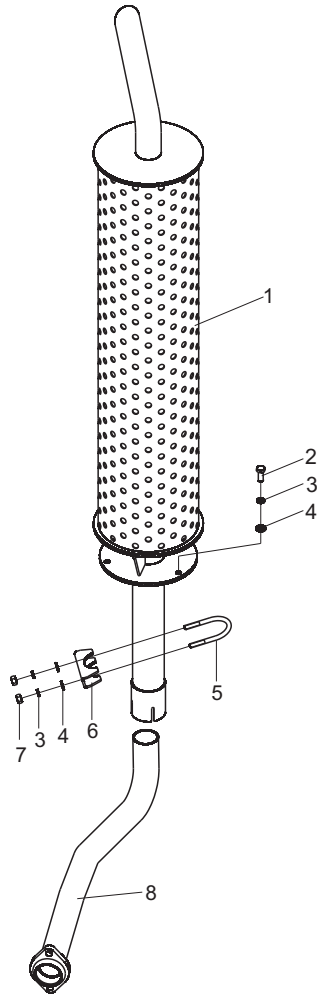


消声器总成(高排) / Muffler assembly(High exhaust)

序号 Item No	编 码 Code	图 号 Part No	零 部 件 名 称 Description	数量 Q'ty	备 注 Remark
1	30001111511	LG0025DTIAIII.01.03.03	密封垫 Seal gasket	1	DIA/DTIA/DTIB
	30001111509	LG0030DTDAIII.01.03.03	密封垫 Seal gasket	1	DDA/DTDA/DTDB
	30001111514	LG0030DTMAIII.01.03.01	密封垫 Seal gasket	1	DTDA/DTDB
2	30001015711	LG0025DTIAIII.01.03.01	前管总成 Front pipe assembly	1	DIA/DTIA/DTIB
	30001015704	LG0030DTDAIII.01.03.01	前管总成 Front pipe assembly	1	DDA/DTDA/DTDB
	30001015714	LG0030DTMAIII.01.03.02	前管总成 Front pipe assembly	1	DTDA/DTDB
3	30001016908	LG0030DIII.01.03.02	消声器焊合 Muffler weldment	1	
4	30001113900	30D-0141001	橡胶垫 Rubber shim	4	
5	60911011061	30D-0141004	六角螺栓 Bolt M10×50	2	
6	51420100121	GB/T96.1	垫圈10 Washer 10	4	
7	51341000519	GB/T889.1	螺母M8 Nut M10	2	
8	30001111508	LG0030DIII.01.03.04	密封垫 Seal gasket	2	
9	51401100107	GB/T93	垫圈10 Washer 10	4	
10	51204101114	GB/T5783	螺栓M10×25 Bolt M10×25	4	
11	30001015001	LG0030DTDAIII.01.06.02	连接管总成 Connecting pipe assembly	1	
12	51421090115	GB/T97.1	垫圈8 Washer 8	5	
13	51401090107	GB/T93	垫圈8 Washer 8	5	
14	51204091014	GB/T5783	螺栓M8×20 Bolt M8×20	3	
15	30001015430	LG0030DIII.01.06.01	排气管总成 Vent-pipe assembly	1	
16	51307000919	GB/T6170	螺母M8 Nut M8	2	
17	30001105101	LG0030D.01.04.02-001	U型卡环套 U-clamp sheath	1	
18	30001105001	LG0030D.01.04.02-002	U型卡环 U-clamp	1	

消声器总成(高排) / Muffler assembly(High exhaust)

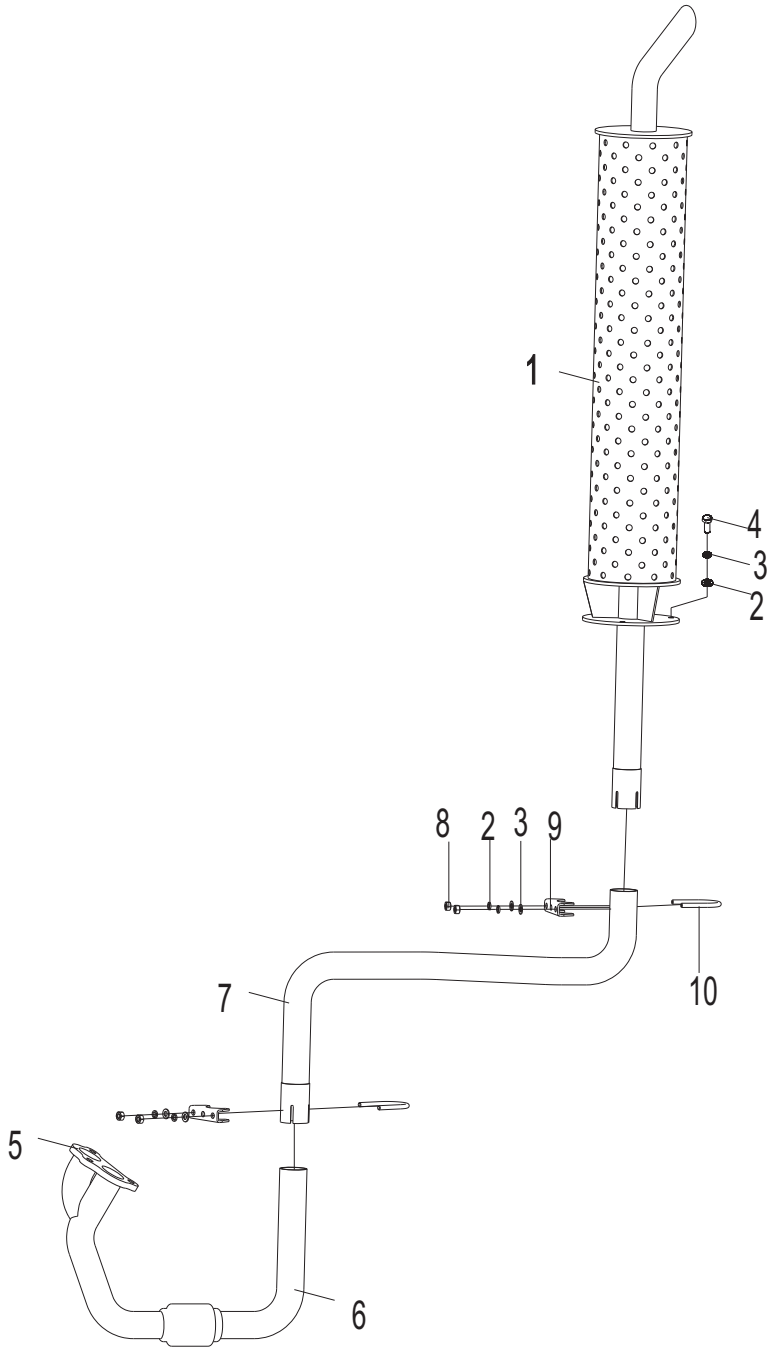
G, GL, GLT, GLTND, GNTND, GT, GTND



序号 Item No	编 码 Code	图 号 Part No	零部件名称 Description	数量 Q'ty	备 注 Remark
1	30001016857	LG0030DTIHIII.01.03.01	消声器总成 Muffler assembly	1	
2	51204091114	GB/T5783	螺栓M8X25 Bolt M8×25	3	
3	51401090107	GB/T93	垫圈8 Washer 8	5	
4	51421090115	GB/T97.1	垫圈8 Washer 8	5	
5	30001105101	LG0030D.01.04.02-001	U型卡环套 U-clamp sheath	1	
6	30001105001	LG0030D.01.04.02-002	U形螺栓 U-clamp	1	
7	51307000919	GB/T6170	螺母M8 Nut M8	2	
8	30001015423	LG0035GLTNDIII.01.03.01	排气管总成 Vent-pipe assembly	1	

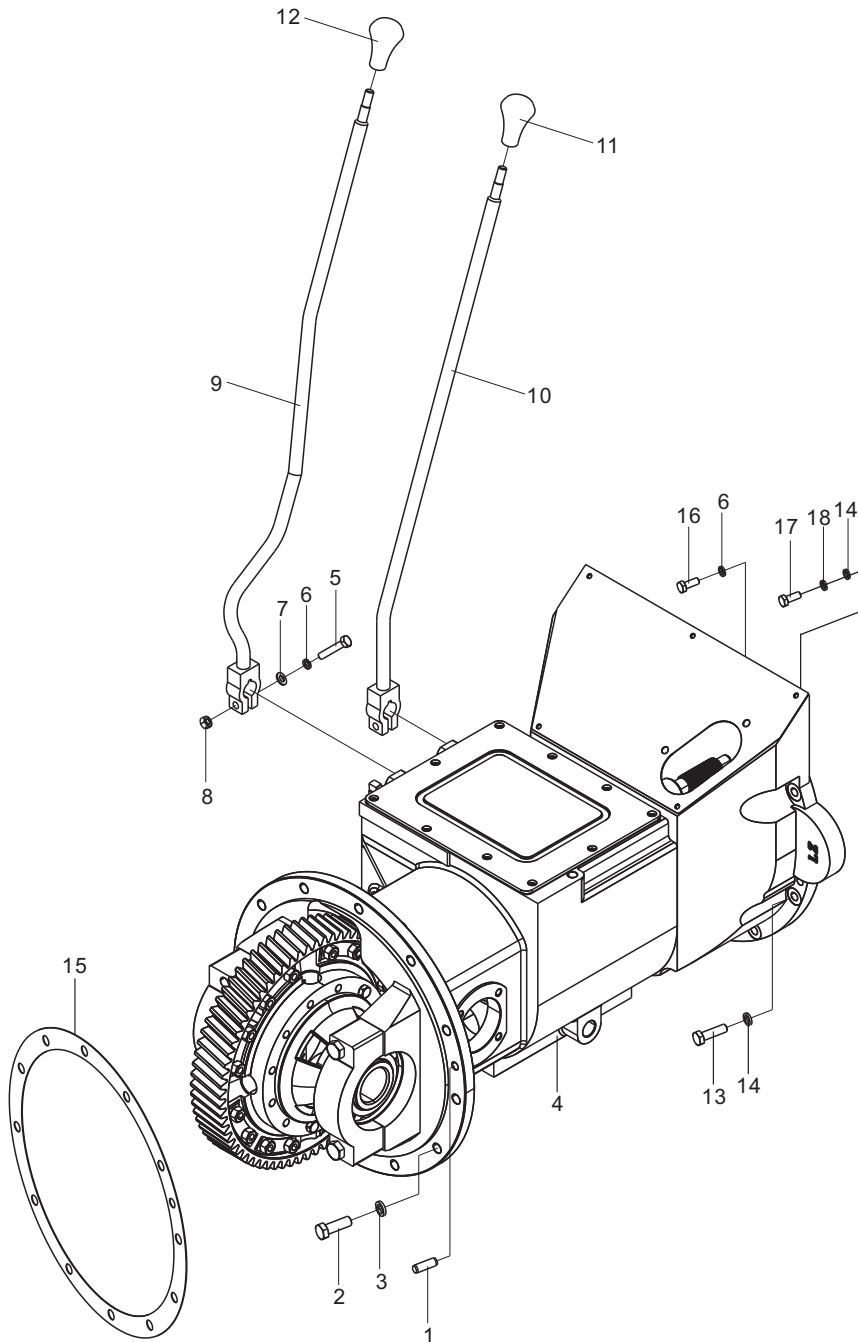
消声器总成(高排) / Muffler assembly(High exhaust)

GLTPB



传动系统/Drive system

D, DDA, DIA, DIG, G, GL

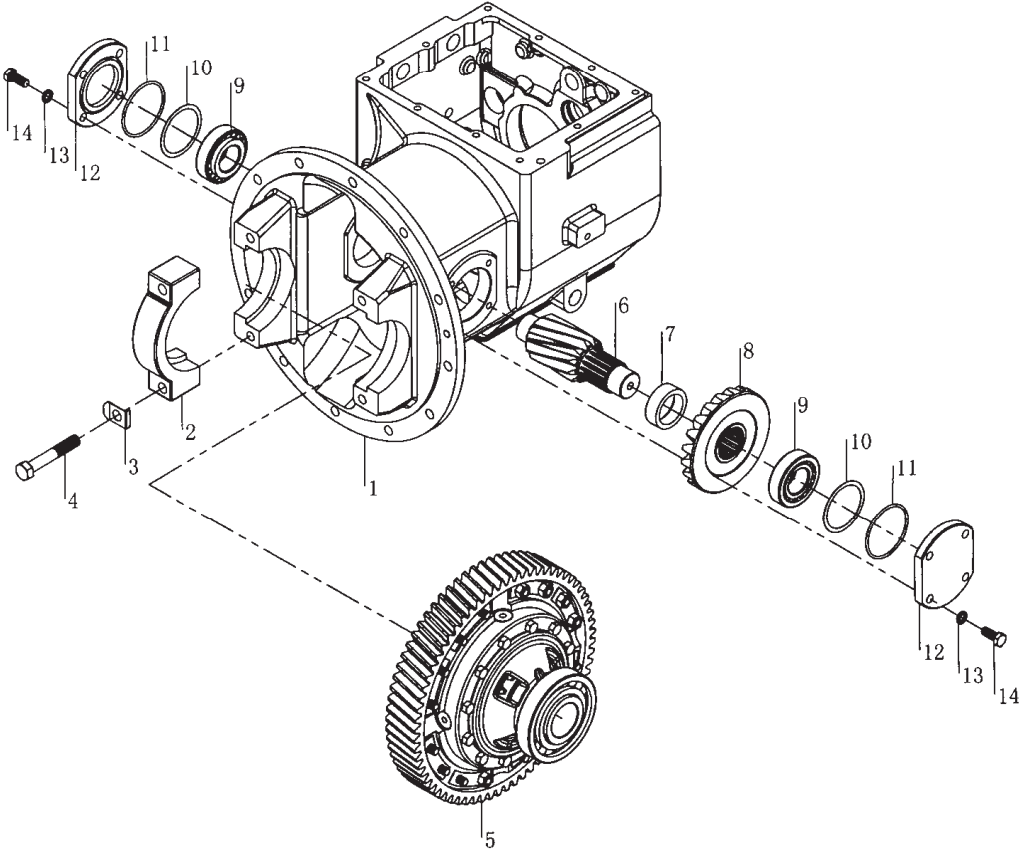


传动系统/Drive system

序号 Item No	编 码 Code	图 号 Part No	零 部 件 名 称 Description	数量 Q'ty	备 注 Remark
1	51517121702	GB/T119.2	销10×30 Pin10×30	1	驱动桥带
2	51207115314	GB/T5786	螺栓M12×1.25×35 Bolt M12×1.25×35	12	
3	51401110107	GB/T93	垫圈12 Washer 12	12	
4	60200000285	LG0030DIII.02.03	变速箱总成 Transmission assembly	1	30D(T)
	60200000382	LG0030DDAIII.02.02	变速箱总成 Transmission assembly	1	30DDA
	60200000383	LG0030DIE.02.01.02	变速箱总成 Transmission assembly	1	DIA/DIG/G/GL
5	51204091414	GB/T5783	螺栓M8×40 Bolt M8×40	2	
6	51401090107	GB/T93	垫圈8 Washer 8	8	D(T)/DIA/DIG/G/GL
	51401090107	GB/T93	垫圈8 Washer 8	14	DDA
7	51421090115	GB/T97.1	垫圈8 Washer 8	2	
8	51307000919	GB/T6170	螺母M8 Nut M8	2	
9	30002118000	30D-0200001	变速杆 Speed change lever	1	
10	30002116600	30D-0200002	换向杆 Direction change lever	1	
11	30002132001	30D-0200003	手柄 Handle	1	
12	30002132000	30D-0200004	手柄 Handle	1	
13	51207105314	GB/T5786	螺栓M10×1.25×35 Bolt M10×1.25×35	7	DIA/DIG/G/GL
	51204101314	GB/T5783	螺栓M10×35 Bolt M10×35	9	30D(T)/DDA
14	51401100107	GB/T93	垫圈10 Washer 10	8	DIA/DIG/G/GL
	51401100107	GB/T93	垫圈10 Washer 10	9	30D(T)/DDA
15	30001111503	30D-0200005	密封垫 Seal gasket	1	
16	51204091014	GB/T5783	螺栓M8×20 Bolt M8×20	6	DDA 12个
17	51203102114	GB/T5782	螺栓M10×75 Bolt M10×75	1	DIA/DIG/G/GL
18	51307001019	GB/T6170	螺母M10 Nut M10	1	DIA/DIG/G/GL

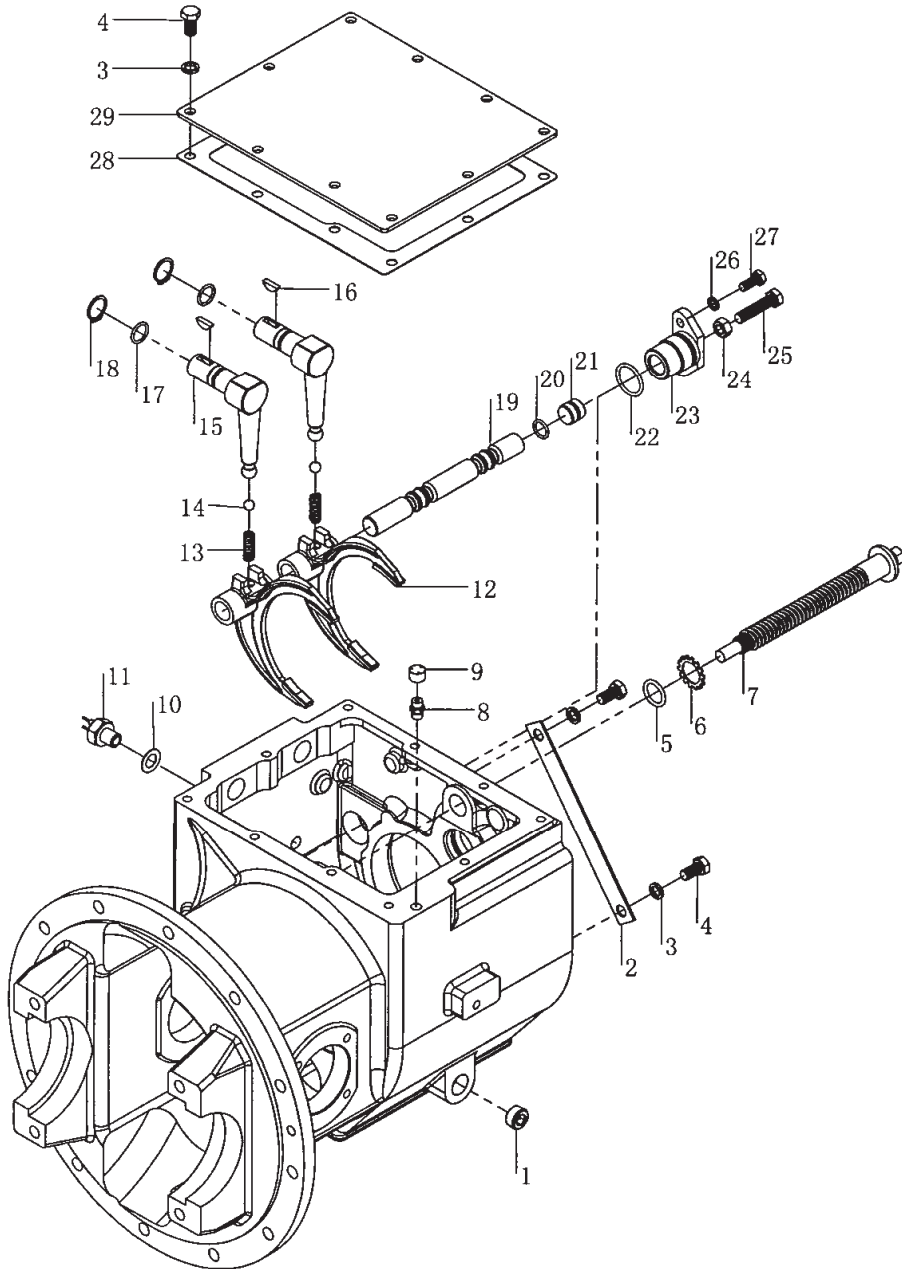
变速箱(I) / Gearbox(I)

LG-20D,25D,30D,35D



变速箱(II) / Gearbox(II)

LG-20D,25D,30D,35D

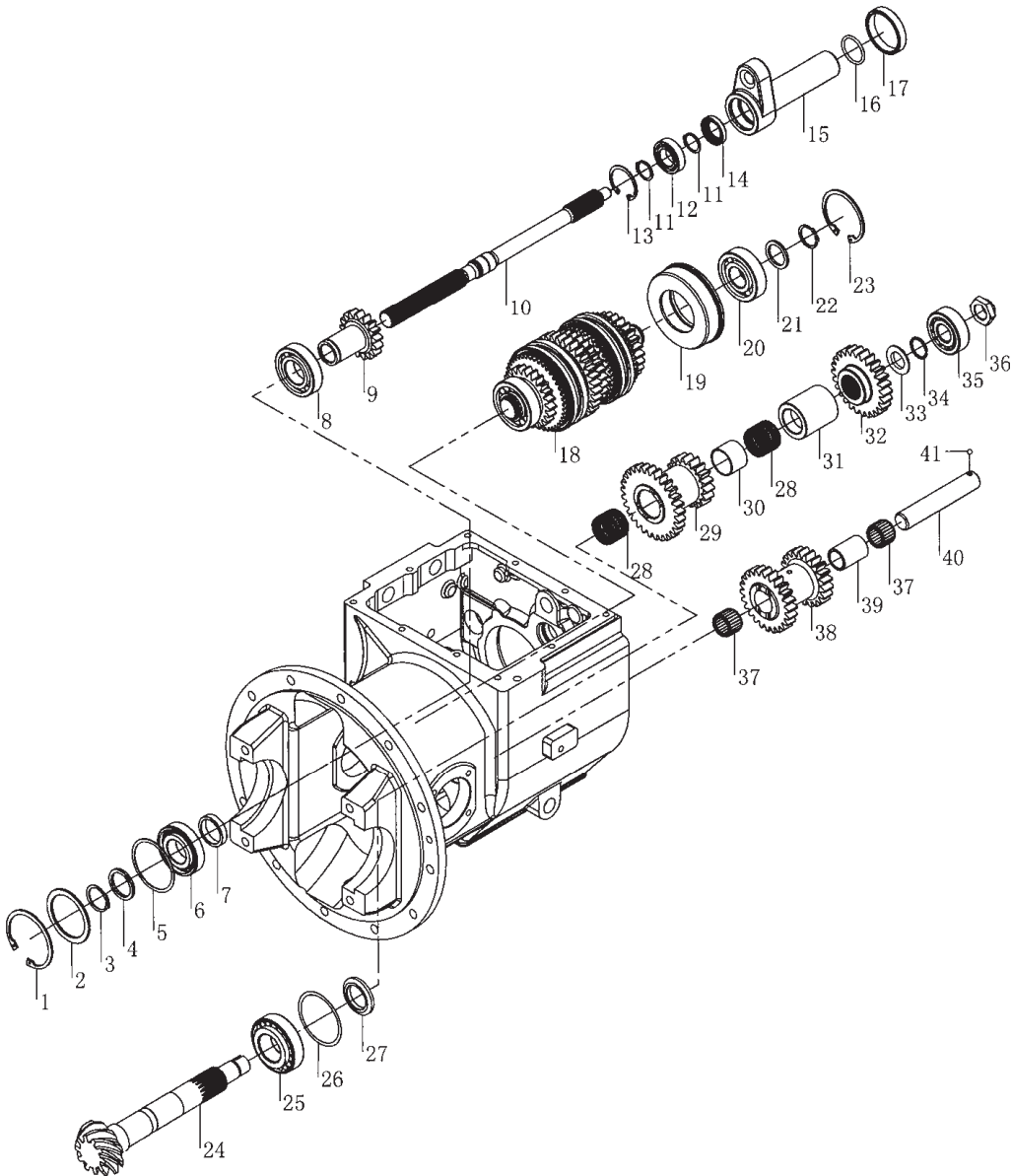


变速箱(II) / Gearbox(II)

序号 Item No	代号 Specification	零部件名称 Description	数量 Q'ty	备 注 Remark
1	JB/ZQ4447-86	螺塞R1/2	1	
2	JDS30-0042	挡板	1	
3	GB93-87	弹簧垫圈10	12	
4	GB5783-86	螺栓M10X20	12	
5	GB1235-76	O形密封圈28X3. 5	1	
6	JDS30-0017	外齿弹性垫圈	1	
7	JDS30-0010	滑动螺杆	1	
8	JDS30-0001	塞体	1	
9	JDS30-0002	盖	1	
10	Q/301B202-8	密封圈14X24X1	1	
11	JK611T	倒车灯开关	1	
12	JDS30-0003	波叉	2	
13	JDS30-0004	弹簧	2	
14	GB308-89	钢球10. 0000 G2006	2	
15	JDS30-0006	传动杆	2	
16	GB1099-79	半圆键5X19	2	
17	GB1235-76	O形密封圈22X2. 4	2	
18	GB894.1-86	轴用弹性挡圈22	2	
19	JDS30-0005	换挡杆	1	
20	GB1235-76	O形密封圈20X2. 5	1	
21	JDS30-0043	塞	1	
22	GB1235-76	O形密封圈35X3. 1	1	
23	JDS30-0041	轴臂	1	
24	GB6170-86	螺母M10	1	
25	GB5783-86	螺栓M10X45	1	
26	GB93-87	弹簧垫圈8	2	
27	GB5783-86	螺栓M8X20	2	
28	JDS30-0008	箱盖垫片	1	
29	JDS30-0007	箱盖	1	

变速箱(III) / Gearbox(III)

LG-20D,25D,30D,35D

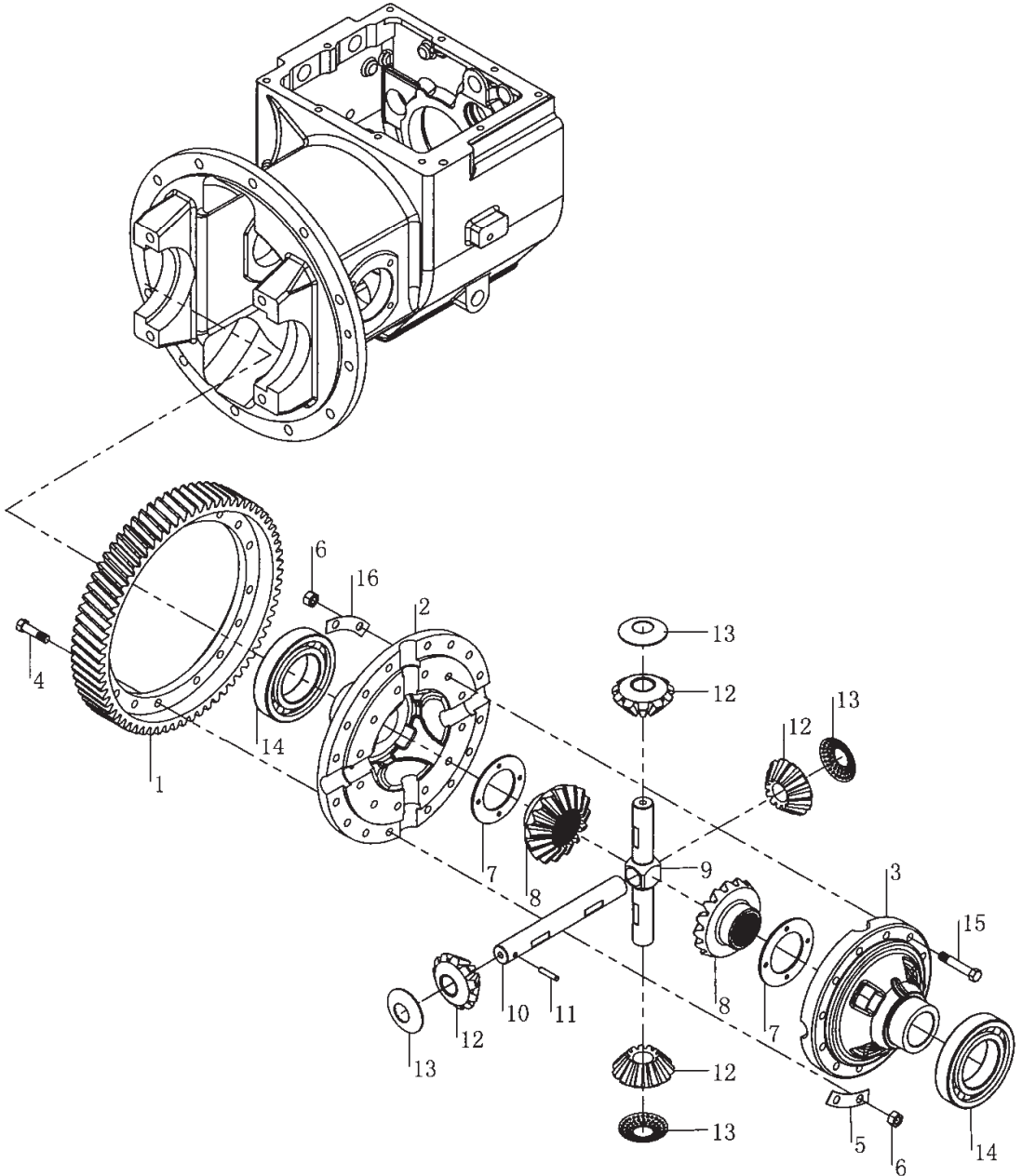


变速箱(III) / Gearbox(III)

序号 Item No	代号 Specification	零部件名称 Description	数量 Q'ty	备注 Remark
1	GB893.2-86	孔用弹性挡圈80	Snap ring 80	1
2	JDS30-0009	轴承垫圈	Bearing washer	1
3	GB894.1-86	轴用弹性挡圈35	Snap ring 35	1
4	JDS30-0202	隔圈	Spacer	1
5	GB305-89	止动环72/78.6	Stop ring 72/78.6	1
6	GB276-94	轴承6207N	Bearing 6207N	1
7	JDS30-0203	隔套	Spacer	1
8	GB276-94	轴承6207	Bearing 6207	1
9	JDS30-0201	输入齿轮	Input gear	1
10	JDS30-0301	主动轴	Drive shaft	1
11	GB894.1-86	轴用弹性挡圈25	Snap ring 25	2
12	GB276-94	轴承6005	Bearing 6005	1
13	GB893.2-86	孔用弹性挡圈47	Snap ring 47	1
14	JDS30-0019	油封25X40X8	Oil seal 25×40×8	1
15	JDS30-0016	轴承架	Bearing carriage	1
16	GB1235-76	O形密封圈42X3.5	O-ring 42×3.5	1
17	JDS30-0018	轴环	Collar	1
18	JDS30-0400	主轴组件	Main drive element	1
19	JDS30-0029	轴承保持圈	Bearing holding ring	1
20	GB276-94	轴承6306	Bearing 6306	1
21	JDS30-0027	隔圈	Spacer	1
22	GB894.1-86	轴用弹性挡圈30	Snap ring 30	1
23	GB893.2-86	孔用弹性挡圈72	Snap ring 72	1
24	JDS30-0040	输出轴	Output shaft	1
25	GB297-94	轴承32208	Bearing 32208	1
26	JDS30-0011	调整垫	Shim	按需
27	JDS30-0012	止推垫圈	Thrust washer	1
28	35×40×30	滚针轴承	Needle bearing	2
29	JDS30-0014	双联齿轮	Duplex gear	1
30	JDS30-0013	衬套	Bushing	1
31	JDS30-0015	衬套	Bushing	1
32	JDS30-0020	输出齿轮	Output gear	1
33	JDS30-0021	止推板	Thrust plate	1
34	JDS30-0022	隔环	Spacer	1
35	GB297-94	轴承32305	Bearing 32305	1
36	JDS30-0023	锁紧螺母	Lock nut	1

差速器总成 / Differential assembly

LG-20D, 25D, 30D, 35D

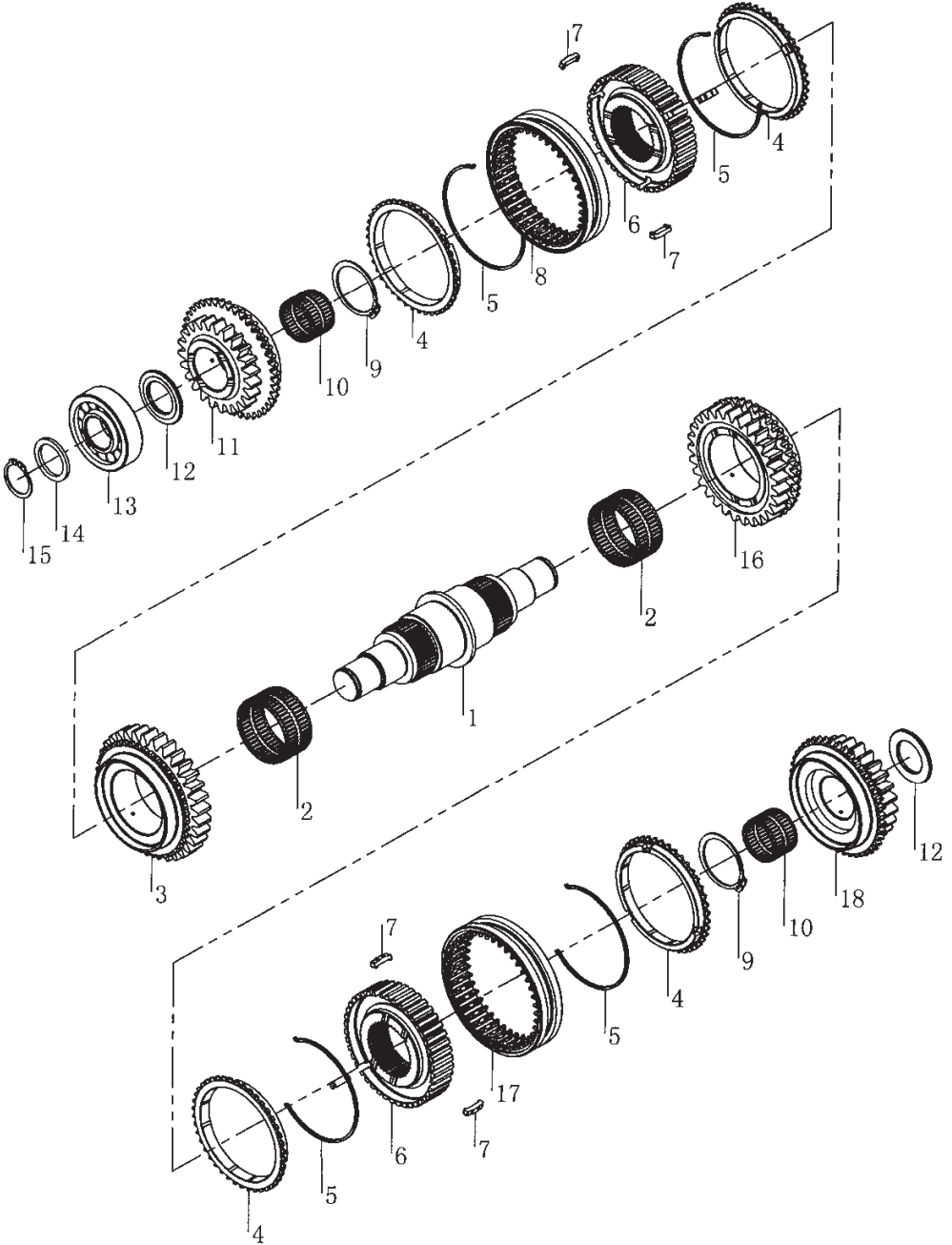


差速器总成/Differential element

序号 Item No	代号 Specification	零部件名称 Description		数量 Q'ty	备注 Remark
1	YQX30-2003	大齿圈	Ring gear	1	
2	YQX30-2101	差速器右半壳	Right half case of differential	1	
3	YQX30-2102	差速器左半壳	Left half case of differential	1	
4	YQX30-2002	螺栓	Bolt	16	
5	YQX30-2001	锁片 (A)	Lock split	8	
6	GB6176-86	螺母M10X1.25	Nut M10×1.25	28	
7	YQX30-2007	垫圈	Washer	2	
8	YQX30-2009	半轴齿轮	Axle shaft gear	2	
9	YQX30-2008	齿轮轴 (I)	Gear shaft	1	
10	YQX30-2005	齿轮轴 (II)	Gear shaft	1	
11	GB119-86	圆柱销B6X30	Cylindrical pin B6×30	1	
12	YQX30-2006	行星齿轮	Planetary gear	4	
13	YQX30-2004	止推垫圈	Thrust washer	4	
14	GB276-94	轴承6213	Bearing 6213	2	
15	YQX30-2104	螺栓	Bolt	12	
16	YQX30-2103	锁片 (B)	Lock plate	6	

主轴组件/Main shaft element

LG-20D,25D,30D,35D

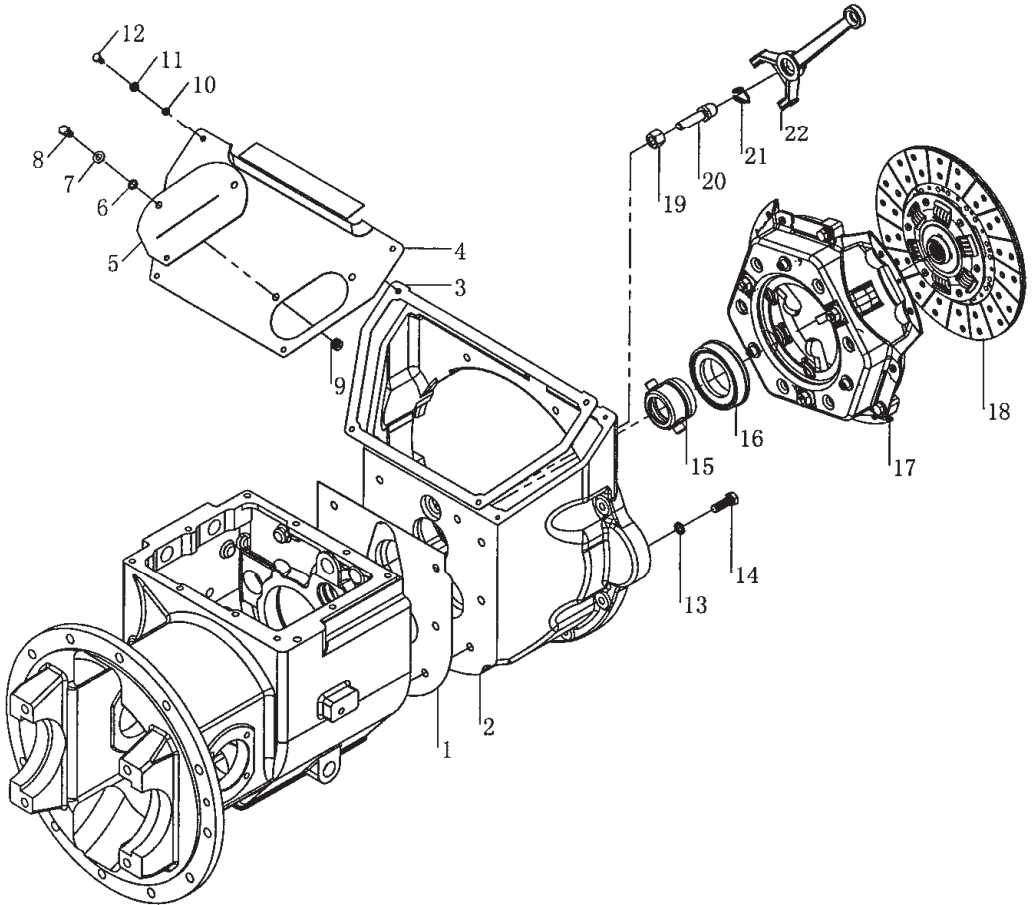


主轴组件/Main shaft assembly

序号 Item No	代号 Specification	零部名称 Description	数量 Q'ty	备 注 Remark
1	JDS30-0039	主轴 Main shaft	1	
2	56×61×30	滚针轴承 Needle bearing	2	
3	JDS30-0037	低速齿轮 Low speed gear	1	
4	JDS30-0030	同步环 Synchronic ring	4	
5	JDS30-0031	弹簧 Spring	4	
6	JDS30-0028	离合器从动盘毂 Hub plate of clutch	2	
7	JDS30-0032	嵌块 Insert	6	
8	JDS30-0033	1/2 档啮合套 1/2 gear meshing sheath	1	
9	GB894.1-86	轴用弹性挡圈48 Snap ring 48	2	
10	35×40×27	滚针轴承 Needle bearing	2	
11	JDS30-0038	高速齿轮 High speed gear	1	
12	JDS30-0026	止推垫圈 Thrust washer	2	
13	GB283-94	轴承NJ306 Bearing NJ306	1	
14	JDS30-0027	隔圈 Spacer	1	
15	GB894.1-86	轴用弹性挡圈30 Snap ring 30	1	
16	JDS30-0024	倒档齿轮 Reverse gear	1	
17	JDS30-0044	啮合套 Meshing sheath	1	
18	JDS30-0025	前进档齿轮 Forward gear	1	

离合器/Clutch

LG-20D,25D,30D,35D

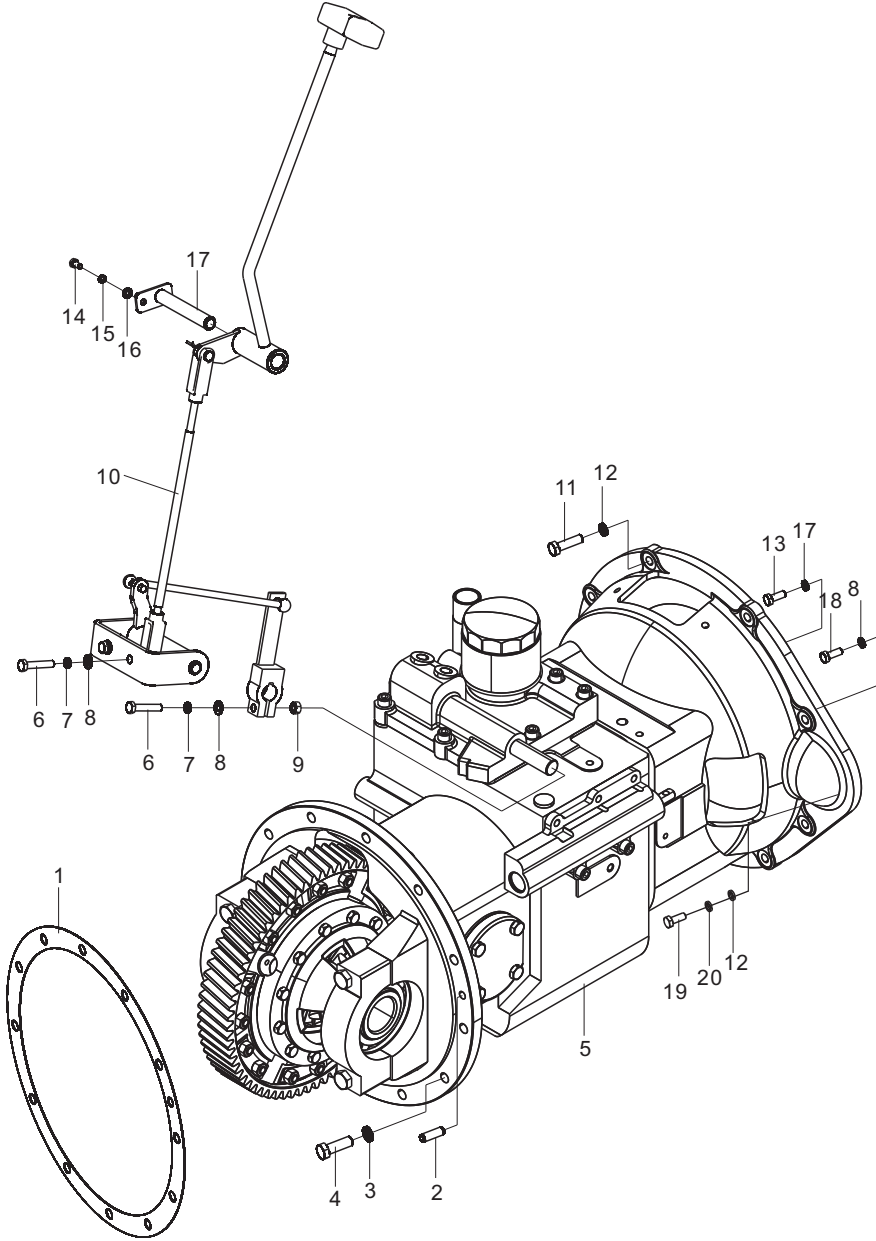


离合器/Clutch

序号 Item No	代号 Specification	零部件名称 Description	数量 Q'ty	备注 Remark
1	JDS30 II -0001	纸垫 Paper gasket	1	
2	JDS30 II -0002	离合器壳 Clutch case	1	
3	JDS30 II -0005	缓冲垫 Buffer gasket	1	
4	JDS30 II -0004	离合器壳盖 Clutch case cover	1	
5	JDS30 II -0003	分离叉保护罩 Hood	1	
6	GB93-87	垫圈8 Washer 8	2	
7	GB97.1-85	平垫圈8 Plain washer 8	2	
8	GB5783-86	螺栓M8X16 Bolt M8×16	2	
9	GB6170-86	螺母M8 Nut M8	2	
10	GB93-87	垫圈6 Washer 6	4	
11	GB97.1-85	平垫圈6 Plain washer 6	4	
12	GB5783-86	螺栓M6X12 Bolt M6×12	4	
13	GB93-87	垫圈10 Washer 10	7	
14	GB5783-86	螺栓M10X30 Bolt M10×30	7	
15	JDS30 II -0006	分离轴承套筒 Sleeve	1	
16	JDS30 II -0007	分离轴承 Releasing bearing	1	
17	JDS30 II -1000	压盘及盖总成 Pressure plate and cover assembly	1	
18	JDS30 II -2000	离合器摩擦片总成 Friction plate of clutch	1	
19	JDS30 II -0011	调整螺母 Adjustable nut	1	
20	JDS30 II -0010	支撑螺栓 Supporting bolt	1	
21	JDS30 II -0009	弹性挡圈 Sprig sprag	1	
22	JDS30 II -0008	分离叉 Fork	1	

传动系统/Drive system

DT,DTDA,DTIA,DTIG,DTJA,DTMA,GT, GTND

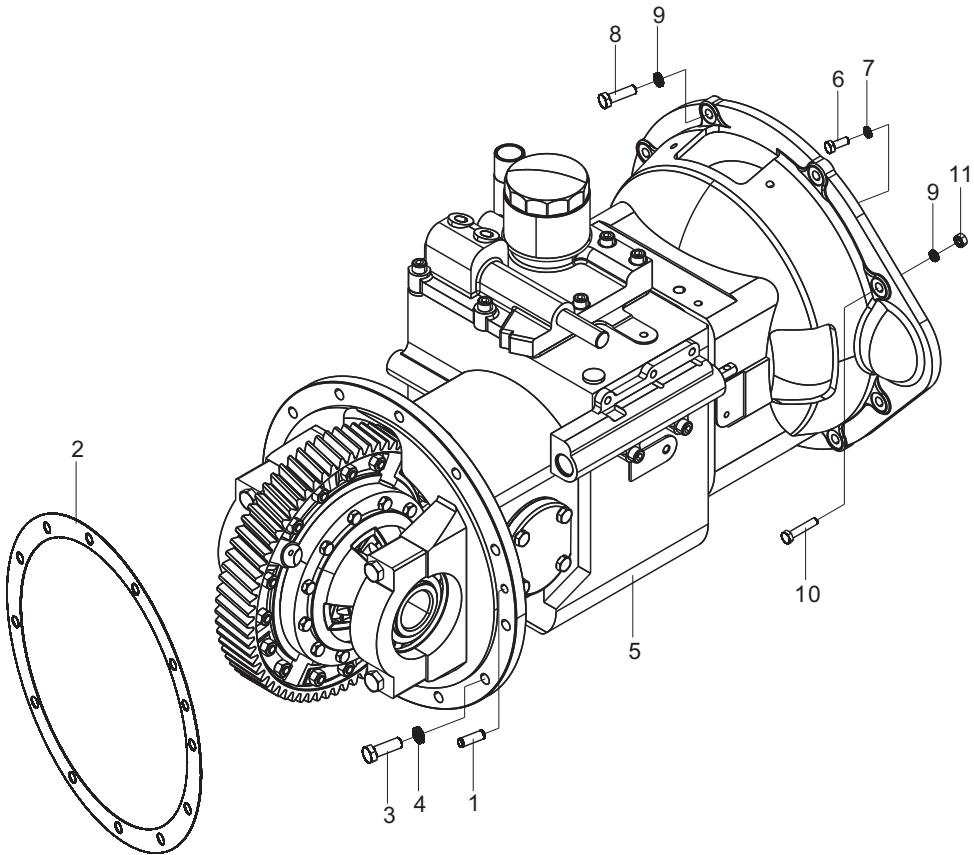


传动系统/Drive system

序号 Item No	编 码 Code	图 号 Part No	零部件名称 Description		数量 Q'ty	备 注 Remark
1	30001111503	30D-0200005	密封垫	Seal gasket	1	
2	51517121702	GB/T119.2	销10×30	Pin10×30	1	驱动桥带
3	51401110107	GB/T93	垫圈12	Washer 12	12	
4	51207115314	GB/T5786	螺栓M12×1.25×35	Bolt M12×1.25×35	12	
5	30002020330	30T-0211000	变速箱总成	Transmission assembly	1	DT/DTDA
	30002020334	LG0030DTIG.02.01	变速箱总成	Transmission assembly	1	DTJA/DTIA/DTIG/DTMA/GT
6	51204091414	GB/T5783	螺栓M8×40	Bolt M8×40	3	
7	51401090107	GB/T93	垫圈8	Washer 8	9	DTJA/DTIA/DTIG/DTMA/GT
8	51421090115	GB/T97.1	垫圈8	Washer 8	3	
9	51307000919	GB/T6170	螺母M8	Nut M8	1	
10	30002020802	LG0030DTIII.02.01	操纵杆总成	Control rod assembly	1	
11	51207105314	GB/T5786	螺栓M10×1.25×35	Bolt M10×1.25×35	7	DTJA/DTIA/DTIG/DTMA/GT
	51204101314	GB/T5783	螺栓M10×35	Bolt M10×35	9	DT/DTDA
12	51401100107	GB/T93	垫圈10	Washer 10	8	DTJA/DTIA/DTIG/DTMA/GT
	51401100107	GB/T93	垫圈10	Washer 10	9	DT/DTDA
13	51204091014	GB/T5783	螺栓M8×20	Bolt M8×20	6	
14	51204080814	GB/T5783	螺栓M6×12	Bolt M6×12	1	
15	51401080107	GB/T93	垫圈6	Washer 6	1	
16	51421080115	GB/T97.1	垫圈6	Washer 6	1	
17	30002025005	LG0030DTIII.02.02	销轴焊合	Pin shaft weldment	1	
18	51204091014	GB/T5783	螺栓M8×20	Bolt M8×20	12	DTJA/DTIA/DTIG/DTMA/GT
19	51203102114	GB/T5782	螺栓M10×75	Bolt M10×75	1	DTJA/DTIA/DTIG/DTMA/GT
20	51307001019	GB/T6170	螺母M10	Washer 10	1	DTJA/DTIA/DTIG/DTMA/GT

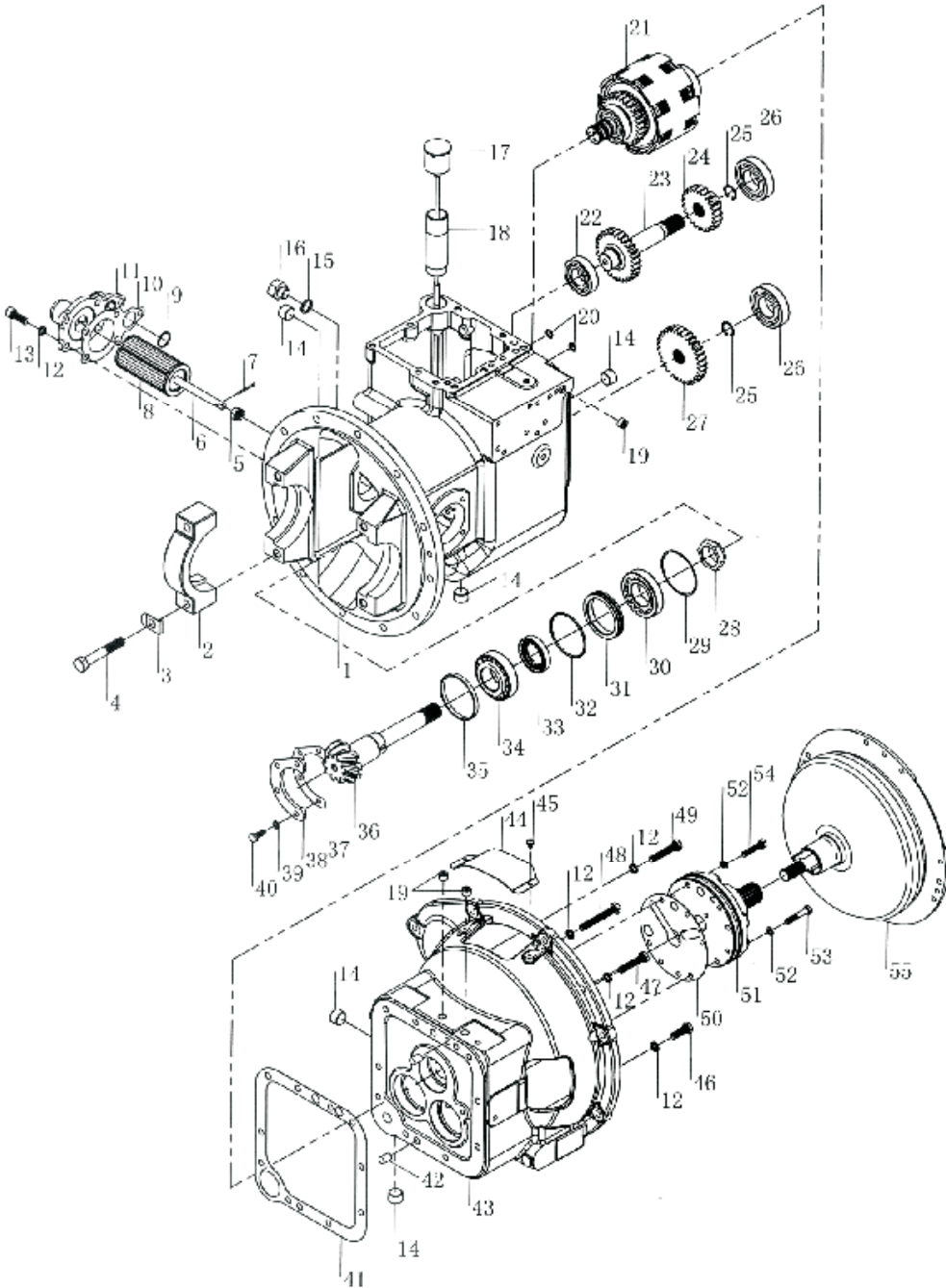
传动系统/ Drive system

DTDB, DTHB, DTHD, DTIB, DTIH, DTJB, DTMB, DTXB, GLT, GLTND, GLTPB, GNTND



变速箱(I) / Gearbox(I)

DT,DTDA,DTDB,DTEB,DTHB,DTHD,DTIA,DTIB,DTIG,DTJA,DTJB,DTMA,DTMB,DTXB,DTIH,GLT,GLTND,
,GNTND,GT,GTND,



变速箱(I)/Gearbox(I)

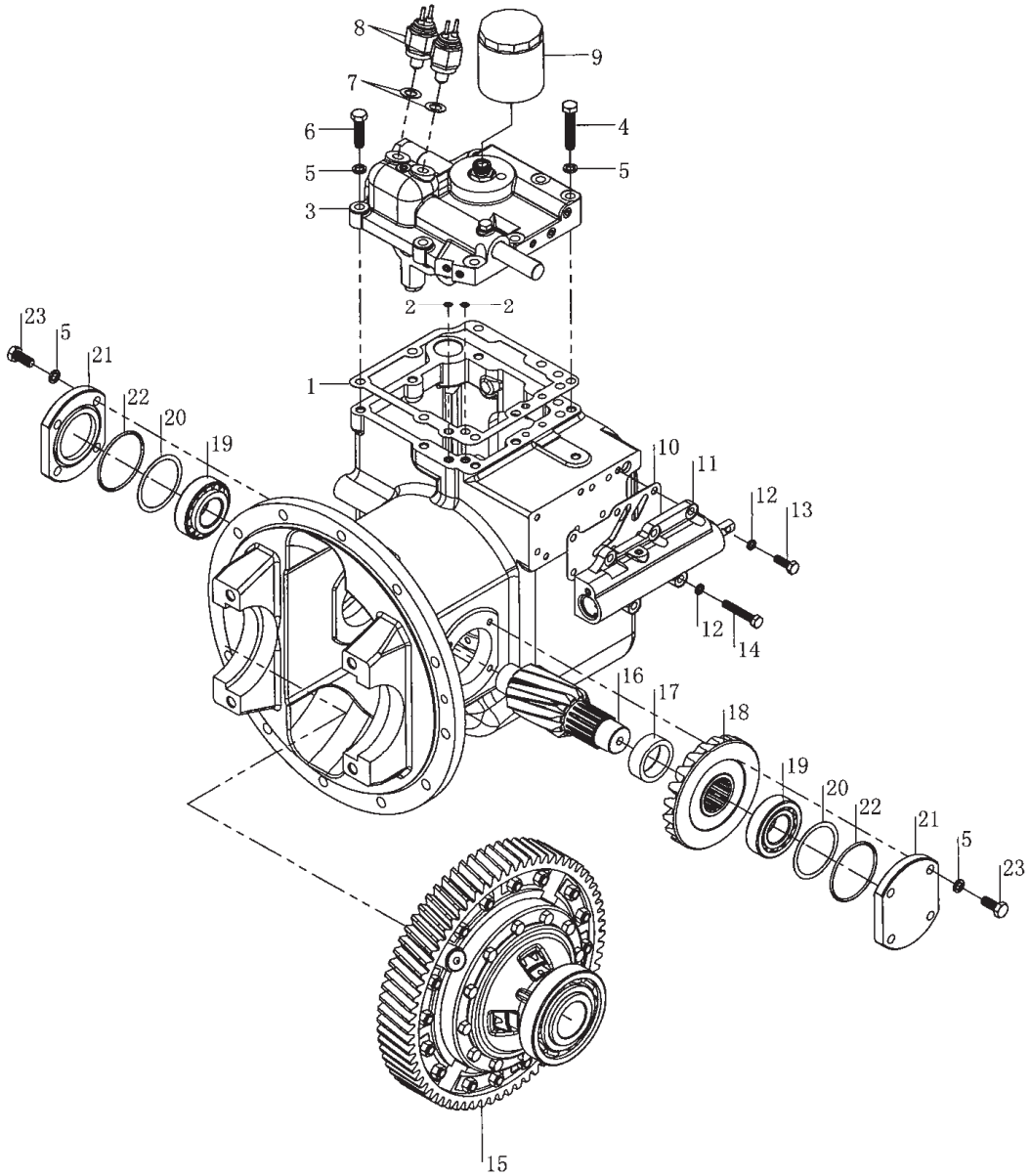
序号 Item No	代号 Specification	零部件名称 Description	数量 Q'ty	备注 Remark
1	YQX30AS-0101	壳体	Case	1
2	YQX30-0102	轴承座	Bearing carrier	2
3	YQX30-0023	锁片	Lock plate	4
4	YQX30-0101	螺栓	Bolt	4
5	GB6181-86	螺母M12	Nut M12	1
6	YQX30AS-0502	螺杆	Screw stud	1
7	GB91-86	开口销3. 2X28	Cotter pin 3.2×28	1
8	YQX30AS-0510	滤网组件	Filter screen element	1
9	GB1235-76	O形密封圈28X2. 4	O-ring 28×2.4	1
10	YQX30AS-0503	纸垫	Paper gasket	1
11	YQX30AS-0501	油滤座	Oil filter seat	1
12	GB93-87	垫圈10	Washer 10	14
13	GB70-85	螺钉M10X30	Screw M10×30	5
14	JB/ZQ4446-86	螺塞R1/2	Plug R1/2	5
15	Q20-03	密封垫	Seal gasket	1
16	JDS30-0046	螺塞	Plug	1
17	YQX30-0400	加油器盖组件	Oil filler cap element	1
18	YQX30-0007	加油管	Oil filling pipe	1
19	JB/ZQ4446-86	螺塞R1/4	Plug R1/4	3
20	GB1235-76	O形密封圈15X2. 4	O-ring 15×2.4	2
21	YQX30-1000A	离合器总成	Clutch assembly	1
22	GB276-94	球轴承6206	Ball bearing 6206	1
23	YQX30-0015	惰轮轴	Idler wheel shaft	1
24	YQX30-0013	惰轮	Idler wheel	1
25	GB893.1-86	孔用弹性挡圈24	Spring sprag 24	2
26	GB276-94	球轴承6207	Ball bearing 6207	2
27	YQX30-0012	输出齿轮	Gear,input	1
28	YQX30-0014	锁紧螺母	Nut,lock	1
29	YQX30-0016	垫	Shim	按需
30	GB297-94	轴承30208	Bearing 30208	1
31	YQX30-0001	油封保持架	Retainer,oil seal	1
32	GB1235-76	O形密封圈80X3. 1	O-ring 80×3.1	1
33	YQX30-0005	输出轴油封	Seal ring	1
34	GB297-94	轴承32208	Bearing 32208	1
35	YQX30-0003	轴环	Collar	1
36	YQX30-0011	输出轴	Output shaft	1

变速箱(I) / Gearbox(I)

序号 Item No	代号 Specification	零部件名称 Description	数量 Q'ty	备注 Remark
37	YQX30-0002	垫片 Gasket	按需	
38	YQX30-0004	支承片 Support plate	1	
39	GB93-87	垫圈8 Washer 8	4	
40	GB5783-86	螺栓M8X20 Bolt M8×20	4	
41	YQX30AS-0001	垫片 Gasket	1	
42	GB119-86	圆柱销B12X20 Cylindrical pin B12×20	2	
43	YQX30-0201	变矩器外壳 Case of torque converter	1	
44	YQX30-0202	盖板 Cover plate	1	
45	GB818-85	十字槽螺钉M6X8 Screw M6×8	2	
46	GB5783-86	螺栓M10X30 Bolt M10×30	4	
47	GB5783-86	螺栓M10X50 Bolt M10×50	1	
48	GB5783-86	螺栓M10X75 Bolt M10×75	1	
49	GB5783-86	螺栓M10X55 Bolt M10×55	3	
50	YQX30-0010	垫片 Gasket	1	
51	YQX30-3000	油泵总成 Oil pump assebmly	1	
52	Q20-03	密封圈8X14X1.5 Seal ring 8×14×1.5	6	
53	GB5780-86	螺栓M8X45 Bolt M8×45	4	
54	GB5780-86	螺栓M8X40 Bolt M8×40	2	
55	YQX30-6000	液力变矩器总成 Hydraulic torque converter assembly	1	

变速箱(II) / Gearbox(II)

DT,DTDA,DTDB,DTEB,DTHB,DTHD,DTIA,DTIB,DTIG,DTJA,DTJB,DTMA,DTMB,DTXB,DTIH,GLT,
GLTND,GNTND,GT,GTND,

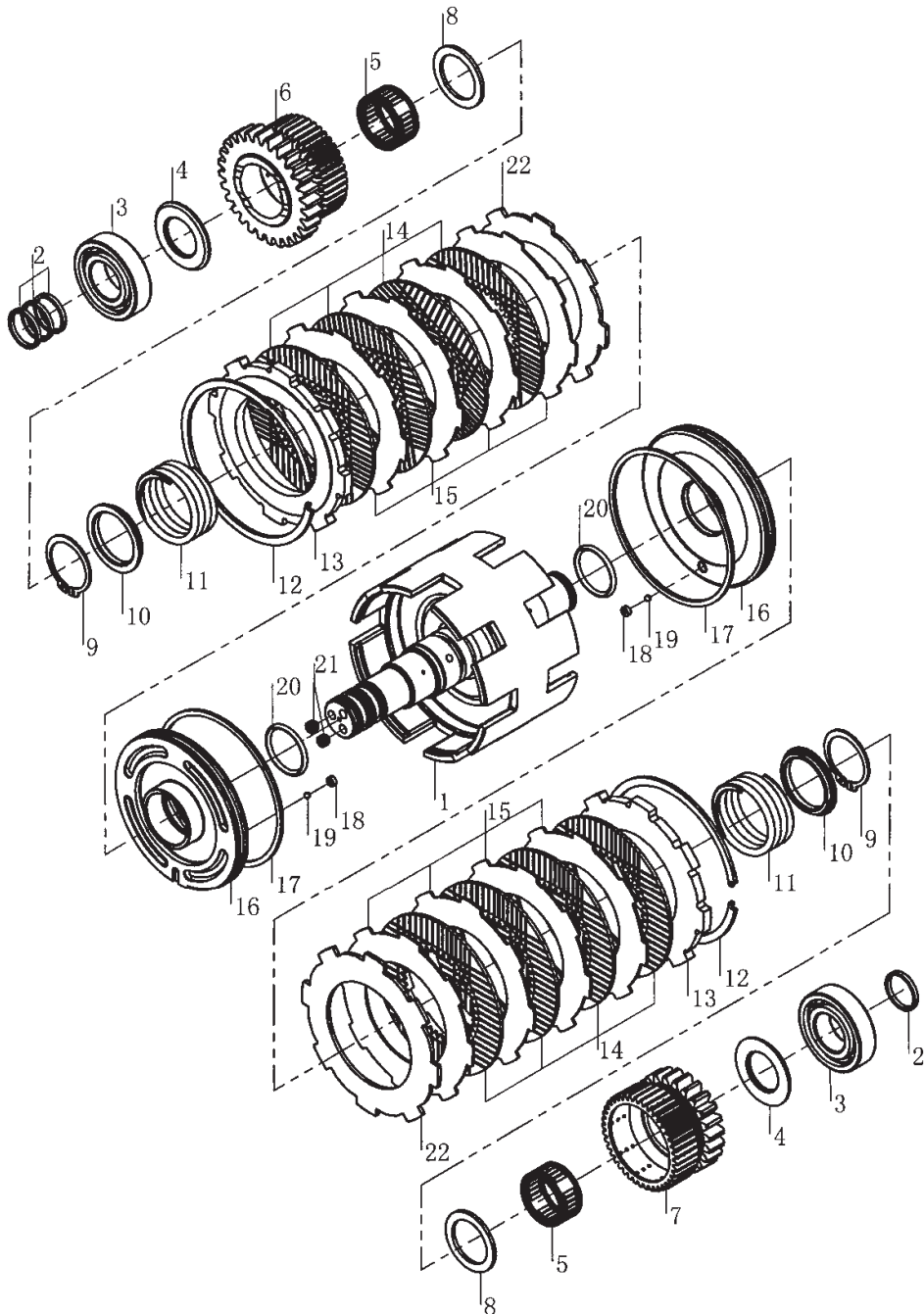


变速箱(II)/Gearbox(II)

序号 Item No	代号 Specification	零部件名称 Description	数量 Q'ty	备 注 Remark
1	YQX30-0008	垫片 Gasket	1	
2	GB1235-76	O形密封圈11X1.9 O-ring 11×1.9	2	
3	YQX30-4000	盖和控制阀总成 Cover & control valve assembly	1	
4	GB5783-86	螺栓M10X55 Bolt M10×55	2	
5	GB93-87	弹簧垫圈10 Spring washer 10	16	
6	GB5783-86	螺栓M10X40 Bolt M10×40	6	
7	14×24×2	纸垫圈 Paper gasket	2	
8	JK208	倒车灯开关 Backup lamp witch	2	
9	YQX30-0300	滤油器(II) Oil filter	1	
10	YQX30-0022	衬垫 Spacer	1	
11	YQX30-5000	微动阀总成 Inching valve assembly	1	
12	GB93-87	弹簧垫圈8 Spring washer 8	5	
13	GB5783-86	螺栓M8X25 Bolt M8×25	3	
14	GB5783-86	螺栓M8X50 Bolt M8×50	2	
15	YQX30-2000	差速器总成 Differential assembly	1	
16	YQX30-0018	齿轴 Gear shaft	1	
17	YQX30-0019	衬套 Bushing	1	
18	YQX30-0020	螺旋伞齿轮 Spiral bevel gear	1	
19	GB297-94	轴承32207 Bearing 32207	2	
20	YQX30-0017	垫片($\delta=0.1, 0.2, 0.5$) Shim	按需	
21	YQX30-0021	轴承盖 Bearing cover	2	
22	GB1235-76	O形密封圈75X3.1 O-ring 75×3.1	2	
23	GB5783-86	螺栓M10X25 Bolt M10×25	8	

液力离合器/Hydraulic Clutch

DT,DTDA,DTDB,DTHB,DTHD,DTIA,DTIB,DTIG,DTJA,DTJB,DTMA,DTMB,DTXB,DTIH,GLT,GLTND,
,GNTND,GT,GTND,

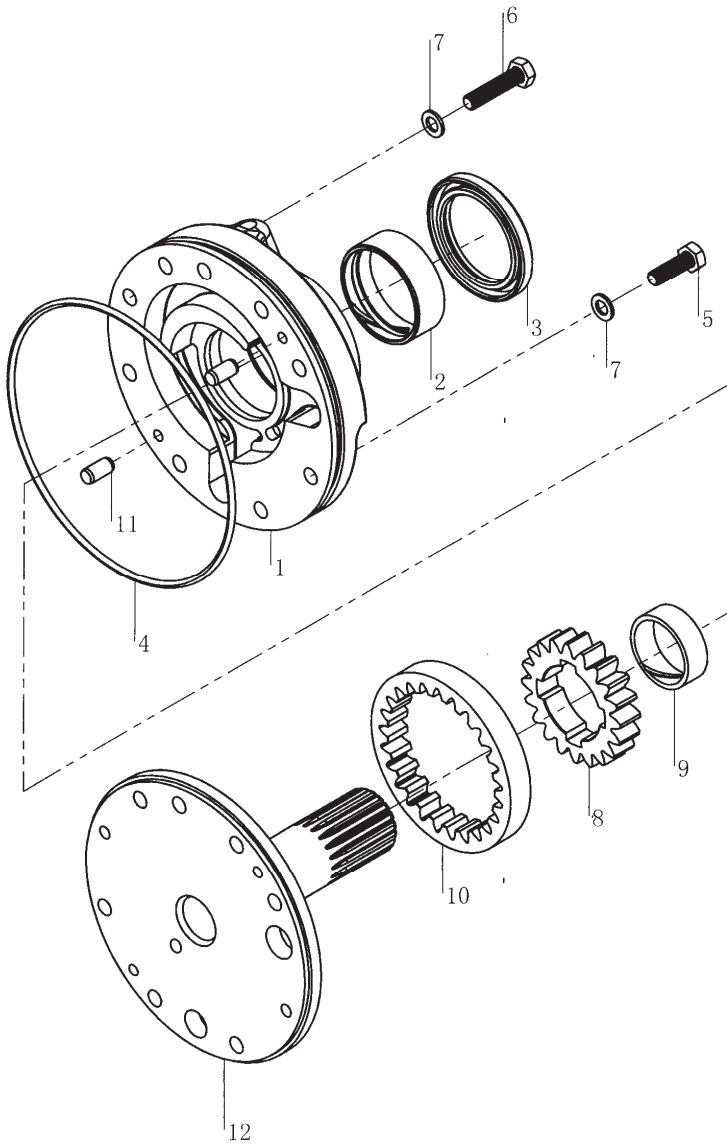


液力离合器/Hydraulic Clutch

序号 Item No	代号 Specification	零部件名称 Description	数量 Q'ty	备 注 Remark
1	YQX30-1100A	输入轴组件 Input shaft element	1	
2	YQX30-1006	密封环 (A) Seal ring	4	
3	GB276-94	轴承6206 Bearing 6206	2	
4	YQX30-1007	离合器-止推环 (B) Clutch- thrust ring(B)	2	
5	K35×42×20	滚针轴承 Needle bearing	2	
6	YQX30-1005	倒车档齿轮 Reverse gear	1	
7	YQX30-1003	前进档齿轮 Forward gear	1	
8	YQX30-1008	离合器-止推环 (A) Clutch- thrust ring(A)	2	
9	GB894.1-86	轴用弹性挡圈40 Spring sprag 40	2	
10	YQX30-1009	弹簧座 Spring seat	2	
11	YQX30-1004	回程弹簧 Return spring	2	
12	YQX30-1014	卡环 Snap ring	2	
13	YQX30-1001	端板 End plate	2	
14	YQX30-1013B	摩擦片 Friction plate	8	
15	YQX30-1012A	隔片 Distance plate	8	
16	YQX30-1002B	活塞 Piston	2	
17	YQX30-1011	密封环 (B) Seal ring (B)	2	
18	YQX30-1010	堵塞 Plug	2	
19	GB308-89	钢球3.1750 G200b Steel ball	2	
20	GB1235-76	O形密封圈40X3.5 O-ring 40×3.5	2	
21	GB78-85	内六角螺钉M8X8 Inner hexagon screw M8×8	2	
22	YQX30-1016	碟形板 Disk plate	2	

油泵/Oil pump

DT,DTDA,DTDB,DTHB,DTHD,DTIA,DTIB,DTIG,DTJA,DTJB,DTMA,DTMB,DTXB,DTIH,GLT,GLTND,
,GNTND,GT,GTND,

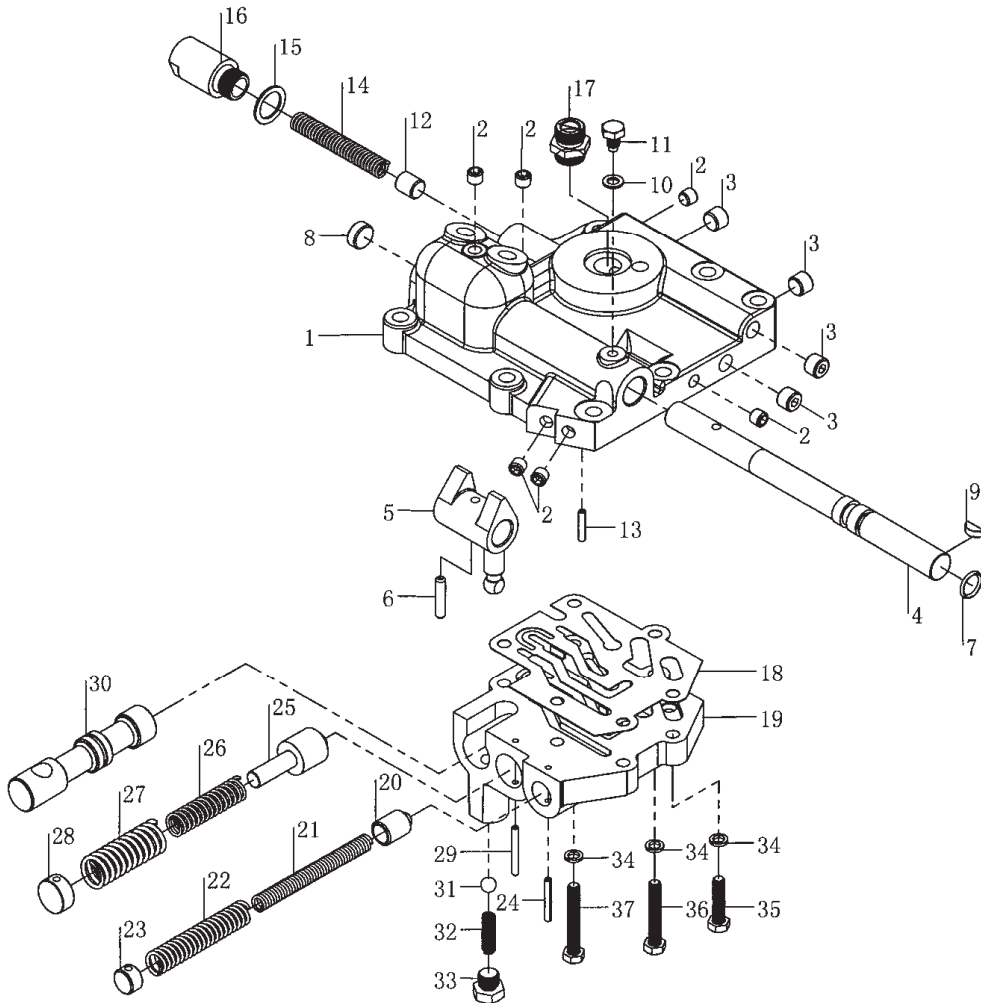


油泵/Oil pump

序号 Item No	代号 Specification	零部件名称 Description	数量 Q'ty	备 注 Remark
1	YQX30-3007	泵壳 Pump case	1	
2	YQX30-3001	衬套 Bushing	1	
3	GB9877.1-88	油封 (F) B50X68X8 Oil seal B50×68×8	1	
4	GB3452.1-92	O形密封圈145X3. 55 O-ring 145×3.55	1	
5	GB5783-86	螺栓M8X25 Bolt M8×25	1	
6	GB5783-86	螺栓M8X35 Bolt M8×35	1	
7	Q20-03	密封垫8X14X1. 5 Seal gasket 8×14×1.5	2	
8	YQX30-3003	主动齿轮 Drive gear	1	
9	YQX30-3004	衬套 Bushing	1	
10	YQX30-3005	被动齿轮 Drive gear	1	
11	GB119-86	圆柱销B8X16 Cylindrical pin B8×16	2	
12	YQX30-3006	导轮座 Guide wheel seat	1	

盖和控制阀总成 / Cover & Control valve assembly

DT,DTDA,DTDB,DTHB,DTHD,DTIA,DTIB,DTIG,DTJA,DTJB,DTMA,DTMB,DTXB,DTIH,GLT,GLTND,
,GNTND,GT,GTND

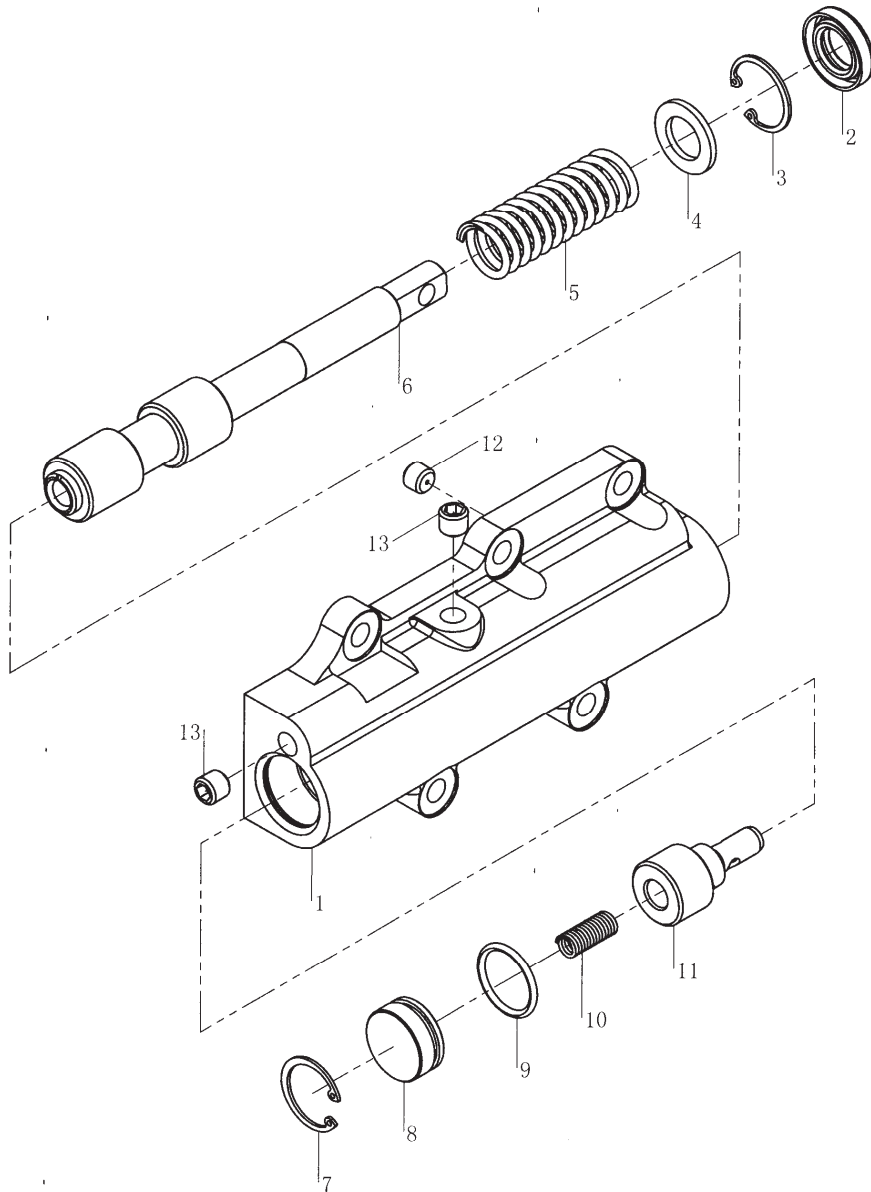


盖和控制阀总成/Cover & Control valve assembly

序号 Item No	代号 Specification	零部件名称 Description	数量 Q'ty	备注 Remark
1	YQX30-4010	壳体盖 Case cover	1	
2	JB/ZQ4446-86	螺塞R1/8 Plug R1/8	6	
3	JB/ZQ4446-86	螺塞R1/4 Plug R1/4	4	
4	YQX30-4006	变速臂轴 Speed shaft arm	1	
5	YQX30-4008	变速臂 Speed arm	1	
6	GB879-86	弹性圆柱销6X32 Spring cylindrical pin 6×32	1	
7	GB1235-76	O形密封圈20X2.4 O-ring 20×2.4	1	
8	YQX30-4009	塞子 Plug	1	
9	GB1099-79	半圆键5X19 Woodruff key	1	
10	Q301 B202-86	密封圈8X14X1.5 Seal ring 8×14×1.5	1	
11	YQX30-4007	固定螺钉 Set screw	1	
12	YQX30-4004	活塞 Piston	1	
13	GB879-86	弹性圆柱销4X25 Spring cylindrical pin 4×25	1	
14	YQX30-4003	弹簧 Spring	1	
15	JB982-77	组合密封垫20 Seal gasket 20	1	
16	YQX30-4002	安全阀盖 Safety valve cover	1	
17	YQX30-4005	管接头 Pipe connector	1	
18	YQX30-4001	垫片 Gasket	1	
19	YQX30-4102	阀体 Valve body	1	
20	YQX30-4108	活塞 Piston	1	
21	YQX30-4106	弹簧 Spring	1	
22	YQX30-4107	弹簧 Spring	1	
23	YQX30-4105	塞 Plug	1	
24	GB879-86	弹性圆柱销4X35 Spring cylindrical pin 4×35	1	
25	YQX30-4112	阀芯 Valve core	1	
26	YQX30-4104	弹簧 Spring	1	
27	YQX30-4111	弹簧 Spring	1	
28	YQX30-4103	塞 Plug	1	
29	GB879-86	弹性圆柱销4X40 Spring cylindrical pin 4×40	1	
30	YQX30-4101	滑阀 Slide valve	1	
31	GB308-89	钢球10. 3188 G200b Steel ball	1	
32	YQX30-4110	弹簧 Spring	1	
33	YQX30-4109	油塞 Oil plug	1	
34	GB93-87	弹簧垫圈8 Spring washer 8	6	
35	GB5783-86	螺栓M8X35 Bolt M8×35	2	
36	GB5783-86	螺栓M8X50 Bolt M8×50	2	
37	GB5783-86	螺栓M8X55 Bolt M8×55	2	

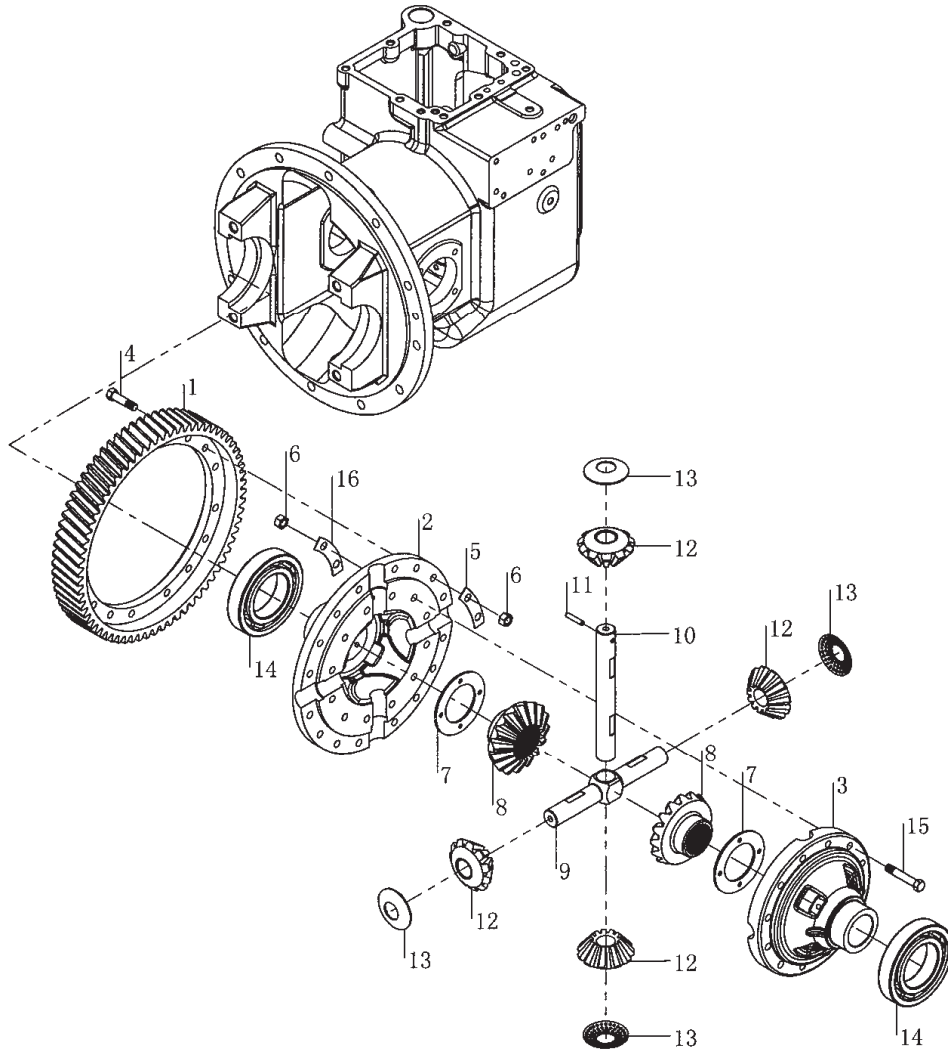
微动阀/ Inching valve

DT,DTDA,DTDB,DTHB,DTHD,DTIA,DTIB,DTIG,DTJA,DTJB,DTMA,DTMB,DTXB,DTIH,GLT,GLTND,
,GNTND,GT,GTND,



差速器/Differential

DT,DTDA,DTDB,DTHB,DTHD,DTIA,DTIB,DTIG,DTJA,DTJB,DTMA,DTMB,DTXB,DTIH,GLT,GLTND,
GNTND,GT,GTND,

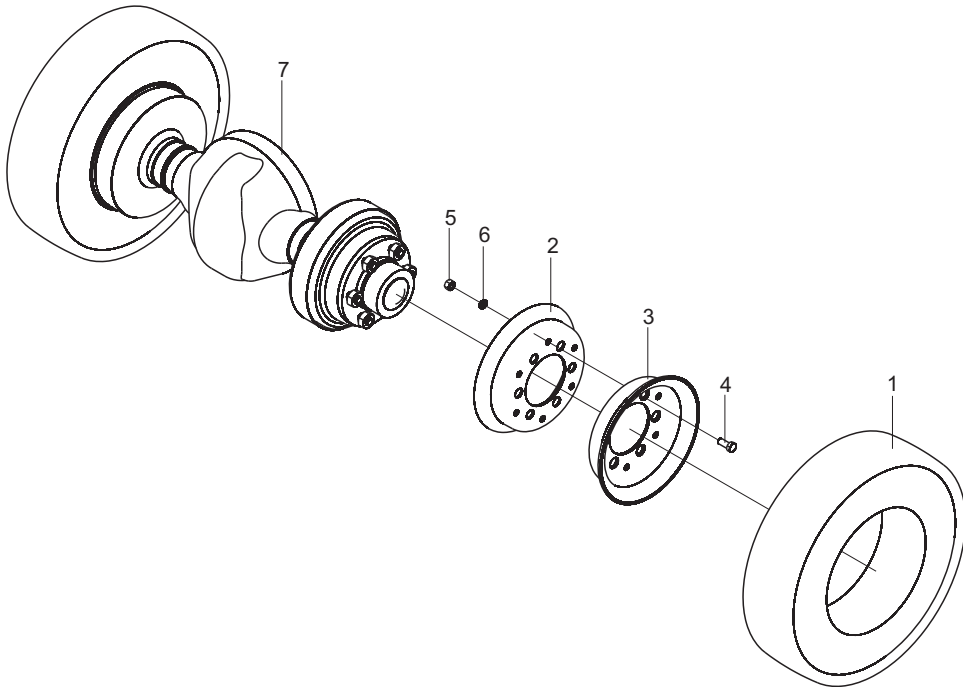


差速器/Differential

序号 Item No	代号 Specification	零部件名称 Description	数量 Q'ty	备注 Remark
1	YQX30-2003	大齿圈 Ring gear	1	
2	YQX30-2101	差速器右半壳 Right half case of differential	1	
3	YQX30-2102	差速器左半壳 Left half case of differential	1	
4	YQX30-2002	螺栓 Bolt	16	
5	YQX30-2001	锁片(A) Lock plate(A)	8	
6	GB6176-86	螺母M10X1.25 Nut M10×1.25	28	
7	YQX30-2007	垫圈 Washer	2	
8	YQX30-2009	半轴齿轮 Axle shaft gear	2	
9	YQX30-2008	齿轮轴(Ⅰ) Gear shaft(I)	1	
10	YQX30-2005	齿轮轴(Ⅱ) Gear shaft(II)	1	
11	GB119-86	圆柱销B6X30 Cylindrical pin B6×30	1	
12	YQX30-2006	行星齿轮 Planetary gear	4	
13	YQX30-2004	止推垫圈 Thrust washer	4	
14	GB276-94	深沟球轴承6213 Deep groove ball bearing 6213	2	
15	YQX30-2104	螺栓 Bolt	12	
16	YQX30-2103	锁片(B) Lock plate(B)	6	

驱动桥总成/Drive axle assembly

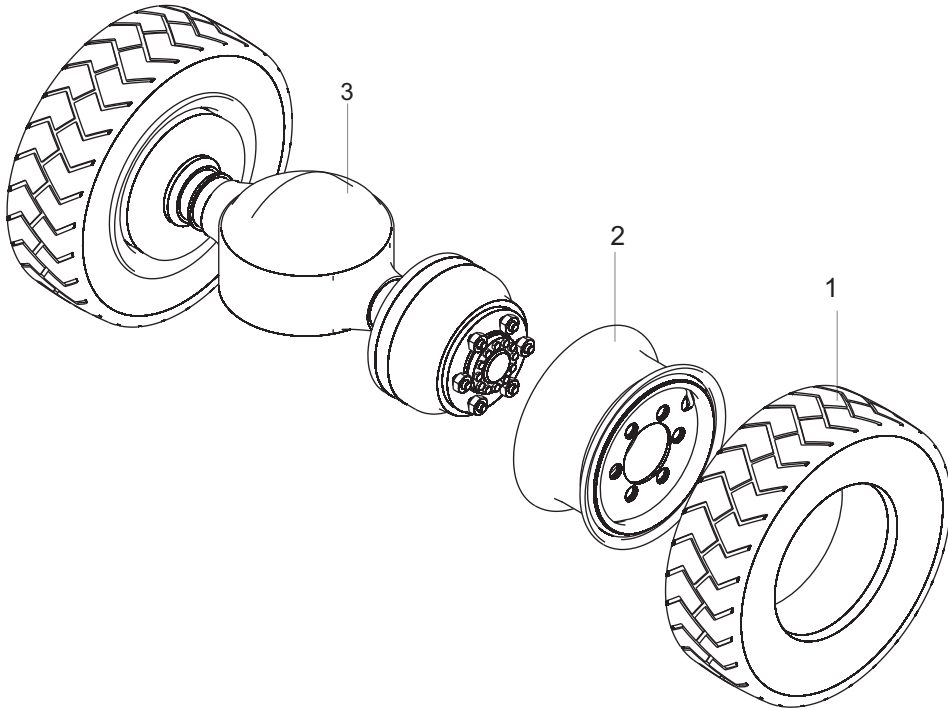
2-2.5T通用



序号 Item No	编 码 Code	图 号 Part No	零 部 件 名 称 Description	数量 Q'ty	备 注 Remark
1	60205000175	LG0025D.02.01.02.01	轮胎总成7.00-12-12PR Tire 7.00-12-12PR	2	
2	60205000161	20D-0201001	内轮辋5.00S-12 Inner rim 5.00S-12	2	
3	60205000162	20D-0201002	外轮辋5.00S-12 Outer rim 5.00S-12	2	
4	30002111100	20D-0201005	螺栓 Bolt	12	
5	51307001319	GB/T6170	螺母M16 Nut M16	12	
6	51401130107	GB/T93	垫圈16 Washer 16	12	
7	30002024535	LG0025DⅢ.02.01.01	驱动桥总成 Drive axle assembly	1	

驱动桥总成/Drive axle assembly

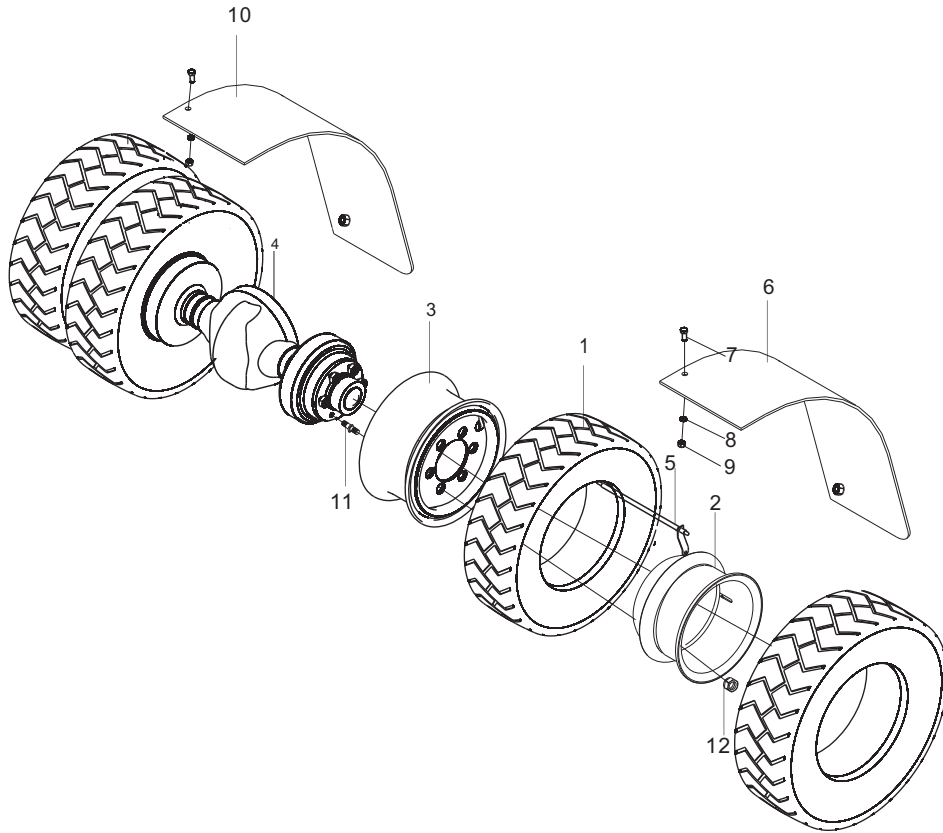
3-3.5T通用



序号 Item No	编 码 Code	图 号 Part No	零 部 件 名 称 Description	数 量 Q'ty	备 注 Remark
1	60205000183	LG0030D.02.01.03	轮胎总成28X9-15-14PR Tire28×9-15-14PR	2	
2	60205000216	LG0030DⅢ.02.01.01	轮辋总成7.00T-15 Rim assembly7.00T-15	2	
3	30002024511	30D-0201200	驱动桥总成 Drive axle assembly	1	

驱动桥总成/Drive axle assembly

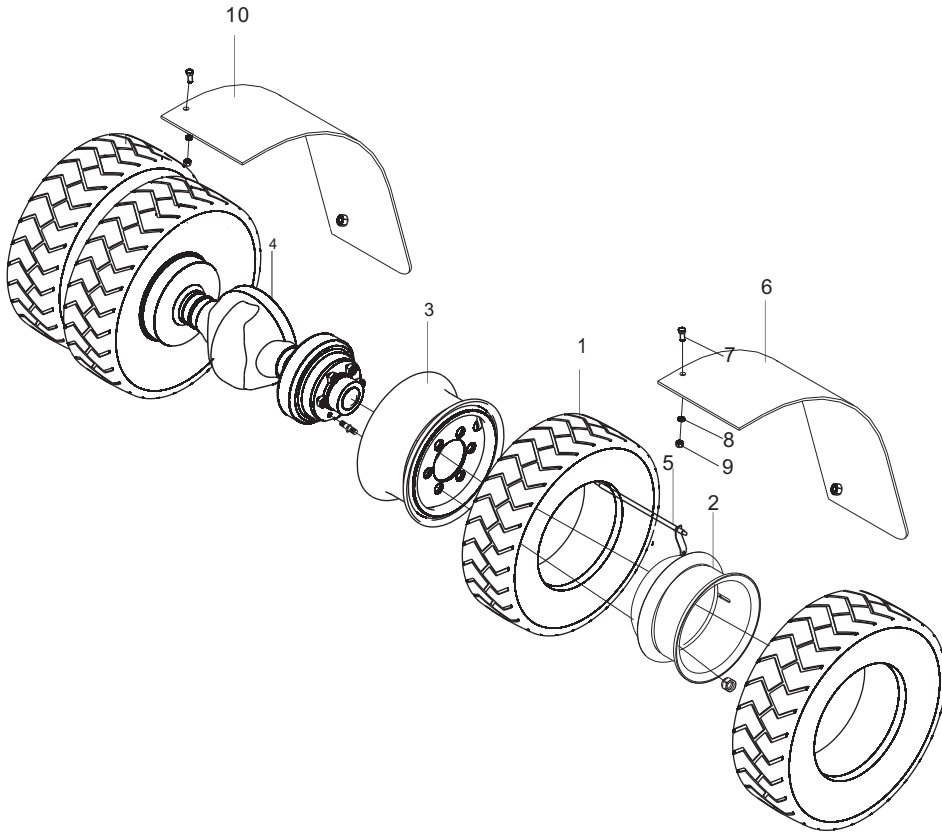
2-2.5T 双排轮



序号 Item No	编 码 Code	图 号 Part No	零部件名称 Description	数量 Q'ty	备 注 Remark
1	60205000175	LG0025D.02.01.02.01	轮胎总成7.00-12-12PR Tire 7.00-12-12PR	4	
2	60200000114	LG0025DIII.02.02.03	轮辋总成5.00S-12 Rim 5.00S-12	2	
3	60200000113	LG0025DIII.02.02.02	轮辋总成5.00S-12 Rim 5.00S-12	2	
4	30002024558	LG0025DIII.02.02.01	驱动桥总成 Drive axle	1	
5	30002119100	LG0100DT.02.01.02-001	气阀加长管 Lengthening pipe	2	
6	30008154374	LG0025DIII.02.02-001	挡泥板 Baffle	1	
7	51204111314	GB/T5783	螺栓M12×35 Bolt	6	
8	51421110115	GB/T97.1	垫圈12 Washer 12	12	
9	51341000719	GB/T889.1	螺母M12 Nut M12	6	
10	30008154375	LG0025DIII.02.02-002	挡泥板 Baffle	1	
11	68051011264		轮毂螺母 Hub nut	12	驱动桥带
12	68051011263		轮毂螺母 Hub nut	12	驱动桥带

驱动桥总成/Drive axle assembly

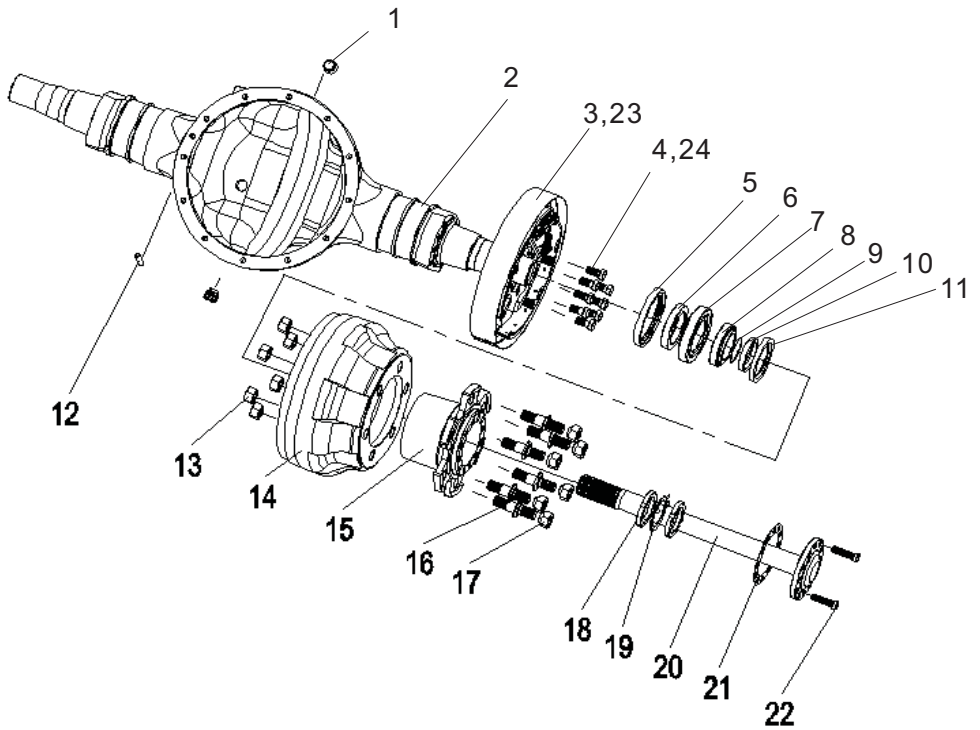
3-3.5T 双排轮



序号 Item No	编 码 Code	图 号 Part No	零 部 件 名 称 Description	数量 Q'ty	备 注 Remark
1	60205000183	LG0030D.02.01.03	轮胎总成28×9-15-14PR Tire assembly	4	
2	60205000174	LG0030DⅢ.02.02.02	双排驱动轮辋7.00T-15 Rim 7.00T-15	2	
3	60205000216	LG0030DⅢ.02.01.01	轮辋总成7.00T-15 Rim assembly 7.00T-15	2	
4	30002024552	LG0030DⅢ.02.02.01	驱动桥总成 Drive axle	1	
5	30002119100	LG0100DT.02.01.02-001	气阀加长管 Lengthening pipe	2	
6	30008154356	LG0030DⅢ.08.02-003	挡泥板 Baffle	1	
7	51204111314	GB/T5783	螺栓M12×35 Bolt M12×35	6	
8	51421110115	GB/T97.1	垫圈12 Washer 12	12	
9	51341000719	GB/T889.1	螺母M12 Nut M12	6	
10	30008154357	LG0030DⅢ.08.02-004	挡泥板 Baffle	1	

驱动桥/Drive axle

通用

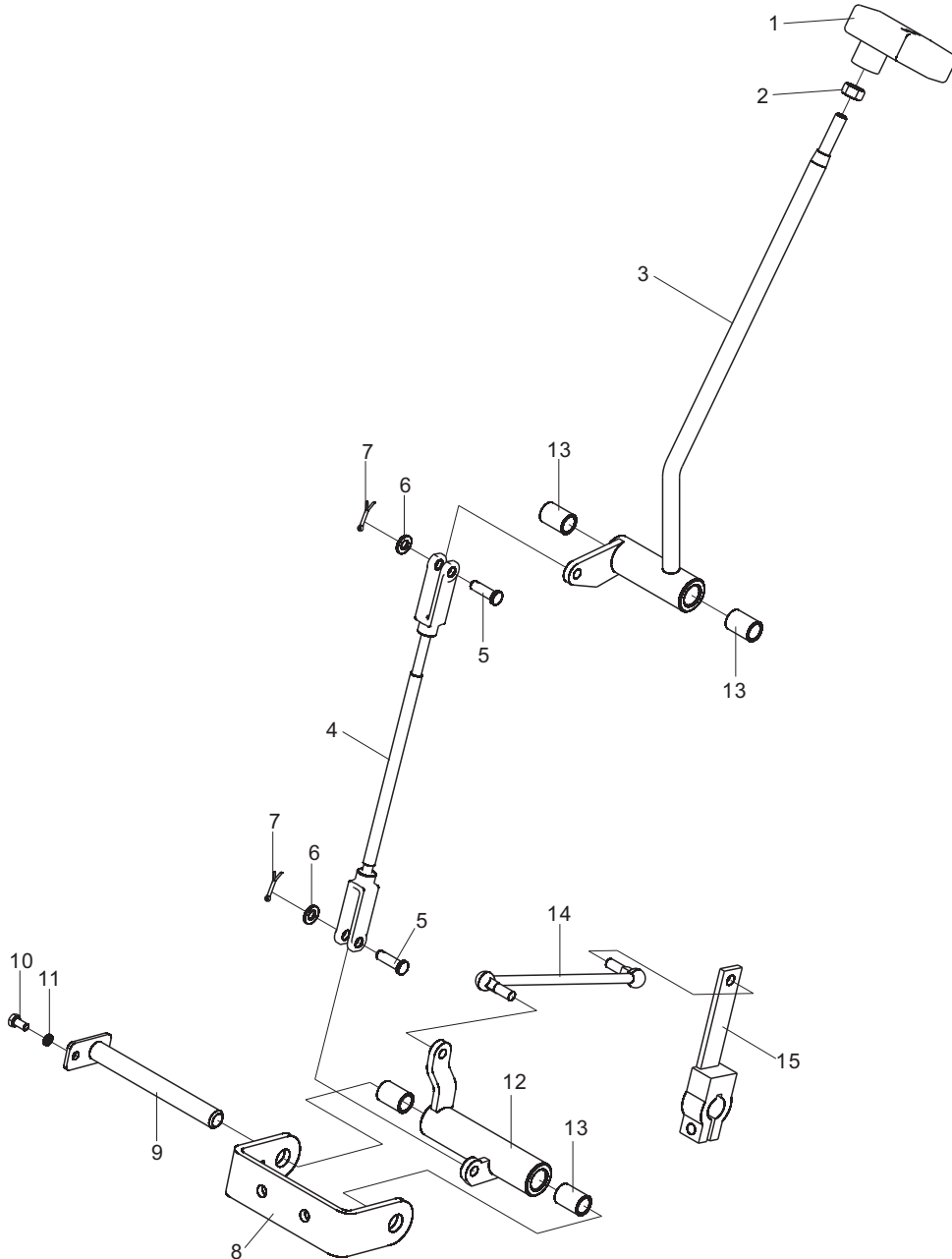


驱动桥/Drive axle

序号 Item No	编 码 Code	图 号 Part No	零 部 件 名 称 Description	数量 Q'ty	备 注 Remark
1	36480000008	LG853.04.01.05	螺塞 Plug	2	
2	36401100060	LGQ030AQ-001	桥壳 Axle house	1	3-3.5T
	36401100061		桥壳 Axle house	1	2-2.5T
3	36400100180	LGQ030AQ.01	右制动器总成 Right brake assembly	1	3-3.5T
	60900000494		右制动器总成 Right brake assembly	1	2-2.5T
4	51207121318	GB/T5786	螺栓M14×1.5×35 Bolt M14×1.5×35	16	3-3.5T
	51207121318		螺栓M14×1.5×35 Bolt M14×1.5×35	8	2-2.5T
5	56177014306	GB/T13871.1	油封FB100×130×13 Oil seal FB100×130×13	2	
6	36400100188	LGQ030AQ-009	轴套2 shaft sleeve	2	
7	52321001401	GB/T297	轴承30214 Bearing 30214	2	
8	52326001202	GB/T297	轴承32012 Bearing 32012	2	
9	56145057211	GB/T3452.1	O形圈56×2.65 O-ring 56×2.65	2	
10	36400100186	LGQ030AQ-007	轴套1 Shaft sleeve 1	2	
11	56177007406	GB/T13871.1	油封FB75×100×10 Oil seal FB75×100×10	2	3-3.5T
12	51513131703	GB/T119.1	圆柱销10×30 Cotter pin 10×30	1	
13	51309001020	GB/T6171	螺母M20×1.5 Nut M20×1.5	12	3-3.5T
14	36400100181	LGQ030AQ-002	制动鼓 Brake drum	2	3-3.5T
	36402100293		制动鼓 Brake drum	2	2-2.5T
15	36400100187	LGQ030AQ-008	轮毂 Wheel hub	2	3-3.5T
	36402100298		轮毂 Wheel hub	2	2-2.5T
16	36400100182	LGQ030AQ-003	轮辋螺栓 Hub bolt	12	3-3.5T
	36402100294		轮辋螺栓 Hub bolt	12	2-2.5T
17	36400100183	LGQ030AQ-004	轮辋螺母 Hub nut	12	
	36402100295		轮辋螺母 Hub nut	12	2-2.5T
18	51363001903	GB/T810	螺母M60×2 Bolt M60×2	4	
19	51439340105	GB/T858	垫圈60 Washer 60	2	
20	36400100185	LGQ030AQ-006	半轴 Axle shaft	2	3-3.5T
	36402100297		半轴 Axle shaft	2	2-2.5T
21	36400100184	LGQ030AQ-005	纸垫 Paper gasket	2	
22	36402100292	LGQ030AQ-010	半轴螺栓 Axle shaft bolt	4	
23	36400100189	LGQ030AQ.02	左制动器总成 Left brake	1	3-3.5T
	60900000495		左制动器总成 Left brake	1	2-2.5T
24	51207121218		螺栓M14×1.5×30 Bolt M14×1.5×30	8	2-2.5T

液力变速操纵总成/Hydraulic speed control

DT,DTJA,DTIA,DTDA,DTMA,GT, GTND

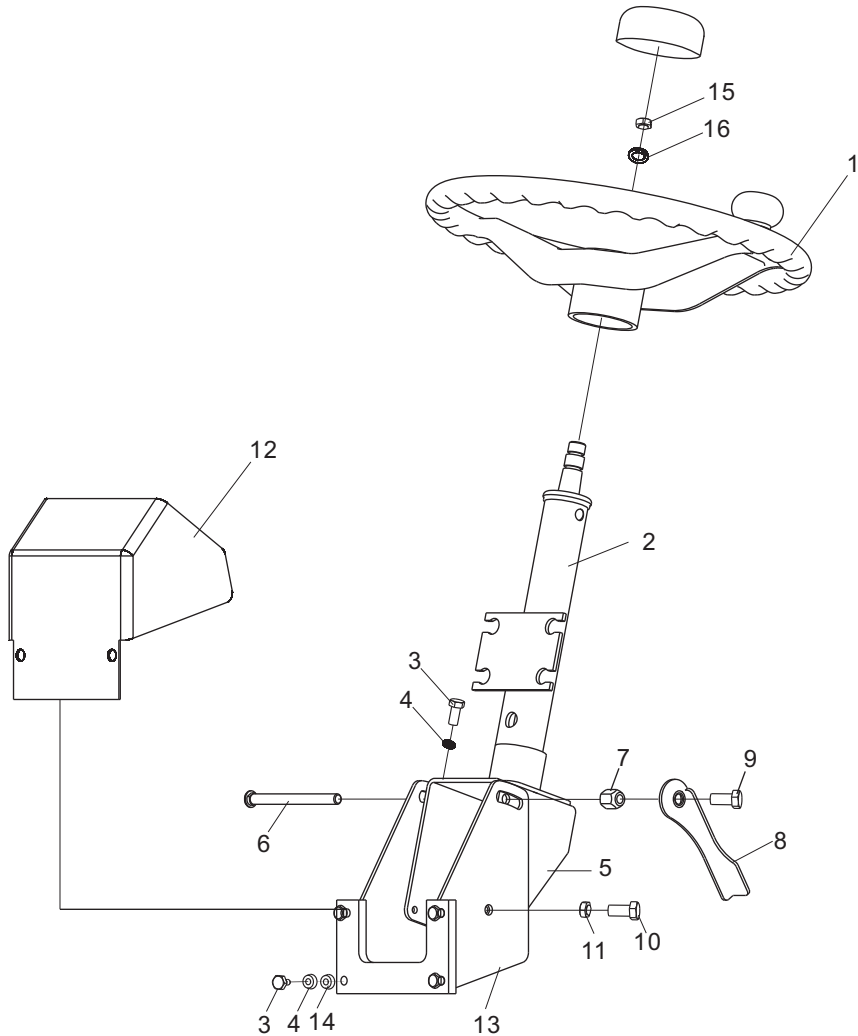


液力变速操纵总成/Hydraulic speed control

序号 Item No	编 码 Code	图 号 Part No	零 部 件 名 称 Description	数 量 Q'ty	备 注 Remark
1	60980000549	30T-0221001	变速手柄球 Speed handle ball	1	
2	51307001019	GB/T6170	螺母M10 Nut M10	1	
3	30002020602	LG0030DTIII.02.01.01	操纵杆焊合 Joystick weldment	1	
4	30002022802	LG0030DTIII.02.01.08	连接杆 Connecting rod	1	
5	51511051002	GB/T882	销B8 × 24 Pin B8×24	2	
6	51421090115	GB/T97.1	垫圈8 Washer 8	2	
7	51512081201	GB/T91	销3. 2X25 Pin 3.2×25	2	
8	30002018104	LG0030DTIII.02.01.06	支架焊合 Bracket weldment	1	
9	30002025004	LG0030DTIII.02.01.03	销轴焊合 Pin shaft weldment	1	
10	51204080814	GB/T5783	螺栓M6X12 Bolt M6×12	1	
11	51401080107	GB/T93	垫圈6 Washer 6	1	
12	30002026501	LG0030DTIII.02.01.04	轴套焊合 Sleeve weldment	1	
13	52011000101	GB/T12613.1	滑动轴承16X18X25 Sliding bearing 16×18×25	2	
14	30002022901	LG0030DTIII.02.01.05	连杆总成 Linkage assembly	1	
15	30002025604	LG0030DTIII.02.01.07	摇臂焊合 Rocker weldment	1	

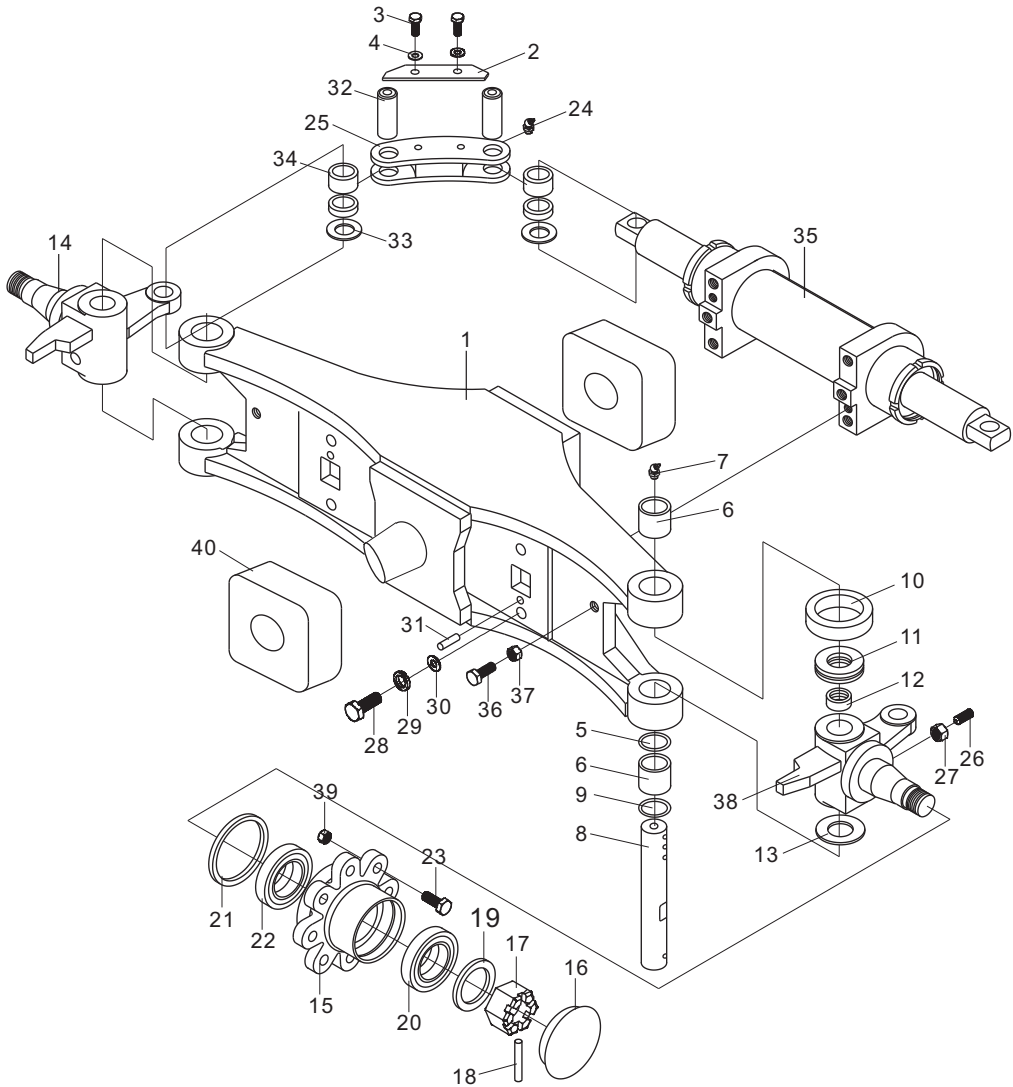
转向操纵机构总成/Steering control mechanism assembly

通用



转向桥总成/Steering axle assembly

通用

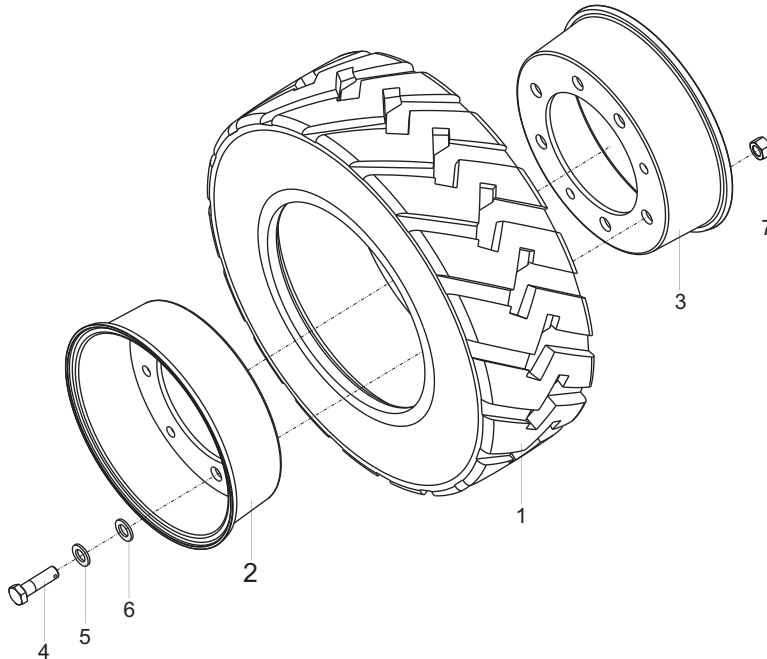


转向桥总成/Steering axle assembly

序号 Item No	编 码 Code	图 号 Part No	零 部 件 名 称 Description	数量 Q'ty	备 注 Remark
1	30003035004	LG0030D.03.02.01.01	转向桥体焊合 Steering axle weldment	1	
2	30003117702	LG0030D.03.02.01-001	板 Plate	2	
3	51206090914	GB/T5781	螺栓M8X16 Bolt M8×16	4	
4	51401090107	GB/T93	垫圈8 Washer 8	4	
5	56145033204	GB/T3452.1	O形圈31.5X5.3 O-ring 31.5×5.3	4	
6	52155000201	GB/T290	轴承32X40X32 Bearing 32×40×32	4	
7	60980000487	QC408	滑脂嘴Z1/8 90° Nipple Z1/8 90°	4	
8	30003135602	LG0030D.03.02.01-002	转向节销 Steering knuckle pin	2	
9	30003124702	LG0030D.03.02.01-003	防尘圈 Dust ring	4	
10	30003108701	LG0030D.03.02.01-004	护罩 Hood	2	
11	52241005401	GB/T301	轴承51208 Bearing 51208	2	
12	30003122306	LG0030D.03.02.01-005	衬套 Bushing	2	
13	30003118301	LG0030D.03.02.01-006	调整垫片 Adjustable gasket	4	
14	30003033903	LG0030D.03.02.01.02	右转向节焊合 Right knuckle weldment	1	
15	30003129204	LG0030D.03.02.01-007	轮毂 Wheel hub	2	
16	30003130702	LG0020BD.03.06-009	轮轴盖 Wheel shaft cover	2	
17	30003132103	LG0030D.03.02.01-009	锁紧螺母 Lock nut	2	
18	51512101805	GB/T91	开口销5X50 Cotter pin 5×50	2	
19	30003106407	LG0030D.03.02.01-010	垫圈 Washer	2	
20	52321000701	GB/T297	轴承30207 Bearing 30207	2	
21	52321001101	GB/T297	轴承30211 Bearing 30211	2	
22	56161006501	GB/T13871.1	密封圈FB85X110X12 Oil seal FB85×110×12	2	
23	30003129501	LG0030D.03.02.01-011	轮毂螺栓 Hub bolt	16	
24	56201000101	JB/T7940.1	油杯M6 Oil cup M6	2	
25	30003034201	LG0030D.03.02.01.03	转向拉杆焊合 Steering pull rod weldment	2	
26	51107232207	GB/T78	螺钉M12X30 Screw M12×30	2	
27	51311001025	GB/T6172.1	螺母M12 Nut M12	2	
28	51204121518	GB/T5783	螺栓M14X45 Bolt M14×45	4	
29	51401120107	GB/T93	垫圈14 Washer 14	4	
30	51422120115	GB/T97.2	垫圈14 Washer 14	4	
31	51522121703	GB/T120.2	螺纹销10X30 Thread pin 10×30	2	
32	30003133001	LG0030D.03.02.01-012	销 Pin	4	
33	30003123303	LG0030D.03.02.01-013	挡圈 Snap ring	4	
34	52806000101	GB/T9163	轴承GEEW16ES Bearing GEEW16ES	2	
35	16600145010	LG0030D.03.02.01.04	油缸 Φ70/Φ50 Oil cylinder	1	
36	51207111414	GB/T5786	螺栓M12X1.5X40 Bolt M12×1.5×40	2	
37	51316000418	GB/T6176	螺母M12X1.5 Nut M12×1.5	2	
38	30003033904	LG0030D.03.02.01.05	左转向节焊合 Left steering knuckle weldment	1	
39	30003129401	LG0030D.03.02.01-014	轮毂螺母 Hub nut	16	
40	30003109004	30D-0311001	减震垫 Rubber gasket	2	

转向轮/Steering wheel

通用

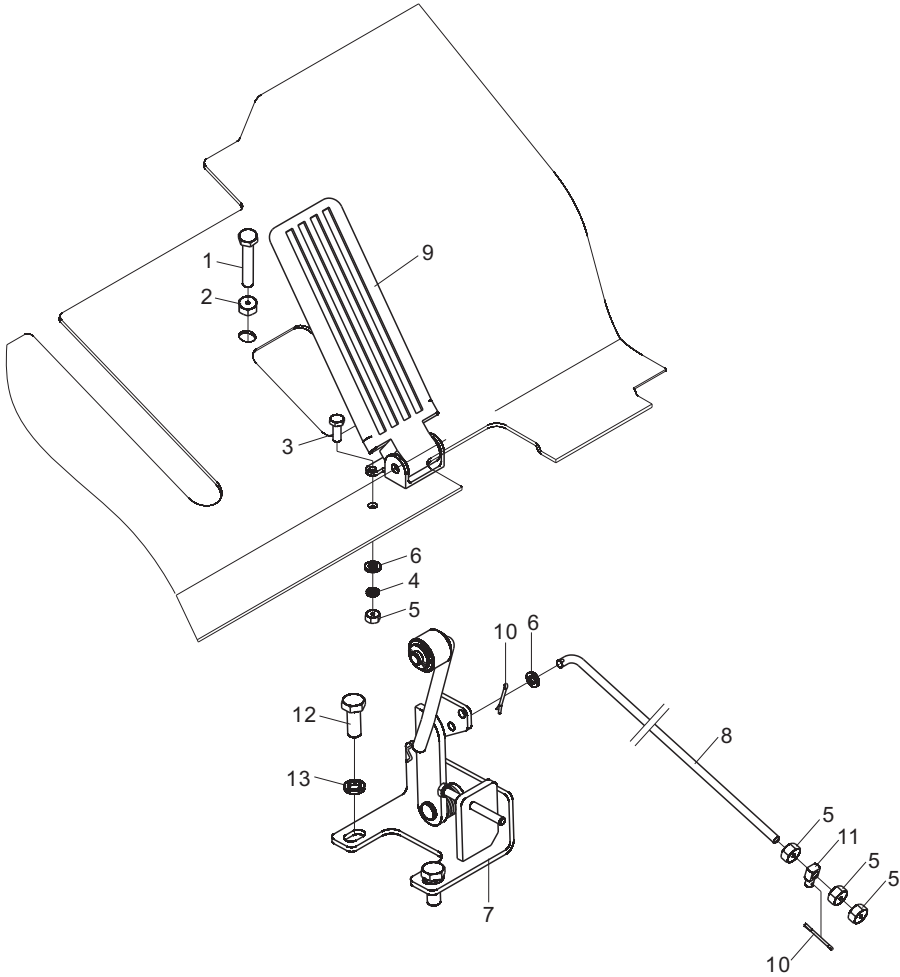


序号 Item No	编 码 Code	图 号 Part No	零部件名称 Description		数量 Q'ty	备 注 Remark
1	60205000020	GB/T2982	轮胎总成6.00-9-10PR	Tire 6.00-9-10PR	2	2-2.5T
	60205000169	LG0015D.02.01.01	轮胎总成6.5-10-10PR	Tire 6.5-10-10PR	2	3-3.5T
2	60205000163	20D-0301001	内轮辋4.00E-9	Inner rim 4.00E-9	2	2-2.5T
	60205000157	LG0030D.03.03.01	内轮辋5.00F-10	Inner rim 5.00F-10	2	3-3.5T
3	60205000164	20D-0301002	外轮辋4.00E-9	Outer rim 4.00E-9	2	2-2.5T
	60205000021	LG0030D.03.03.03	外轮辋5.00F-10	Outer rim 5.00F-10	2	3-3.5T
4	30003111103	30D-0321001	螺栓	Bolt	16	
5	51401110107	GB/T93	垫圈12	Washer 12	16	
6	51421110115	GB/T97.1	垫圈12	Washer 12	16	
7	51307001119	GB/T6170	螺母M12	Nut M12	16	

油门操纵系统/Throttle control system

D、DQA、DQE、DXC、DXN

DT、DTGA、DTQA、DTQG、DTQE、DTXB、DTXC、DTXK、DTXL、DTXN、DTXP

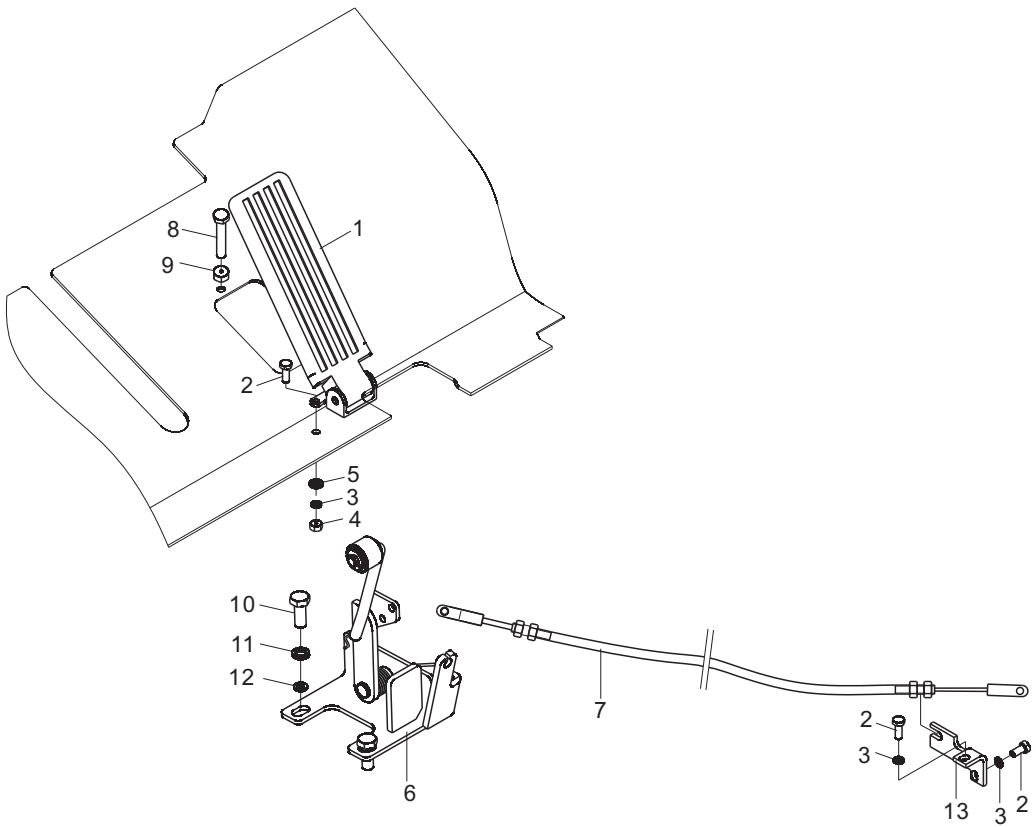


油门操纵系统/Throttle control system

序号 Item No	编 码 Code	图 号 Part No	零 部 件 名 称 Description		数 量 Q'ty	备 注 Remark
1	51204091614	GB/T5783	螺栓M8×50	Bolt M8×50	1	
2	51307000919	GB/T6170	螺母M8	Nut M8	1	
3	51204080914	GB/T5783	螺栓M6×16	Bolt M6×16	2	
4	51401080107	GB/T93	垫圈6	Washer 6	2	
5	51307000819	GB/T6170	螺母M6	Nut M6	4	
6	51421080115	GB/T97.1	垫圈6	Washer 6	3	
7	30004041600	LG0030DⅢ.04.01	油门支架总成	Throttle bracket assembly	1	D 机型
	30004041607	LG0030DTⅢ.04.01	油门支架总成	Throttle bracket assembly	1	DT 机型
8	30004140501	20D-0400001	杆	Rod	1	D 机型
	30004140506	LG0030DTⅢ.04-001	杆	Rod	1	DT 机型
9	60207030025	30D-0401000	踏板总成	Pedal assembly	1	
10	51512061001	GB/T91	销2×20	Pin 2×20	2	
11	30004140401	20D-0400002	耳子	Ear ring	1	
12	51204101114	GB/T5783	螺栓M10×25	Bolt M10×25	2	
13	51401100107	GB/T93	垫圈10	Washer 10	2	

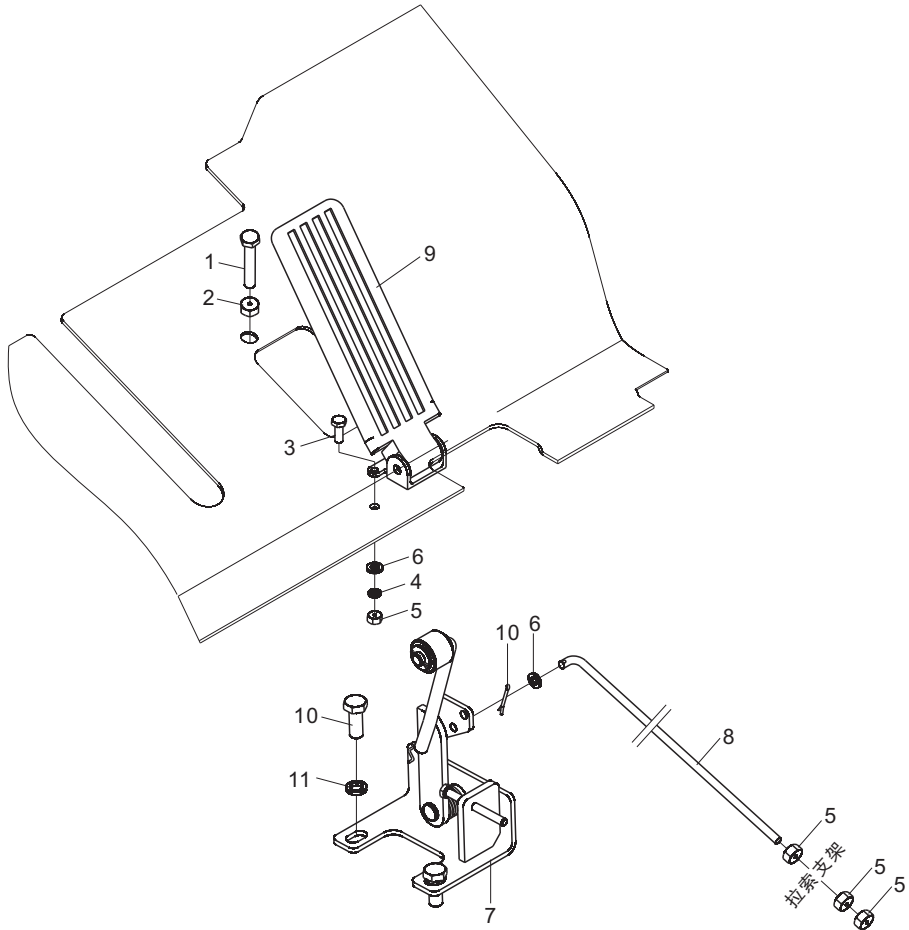
油门操纵系统/Throttle control system

DTDA、DTDB、DTHB、DTHD、DTIA、DTIB、DTIG、DTIH、DTJA、DTJB、GLTND、GLT、GT、GTND、GNTND、GLTPB



油门操纵系统/Throttle control system

DDA、DTDA、DIA、GL



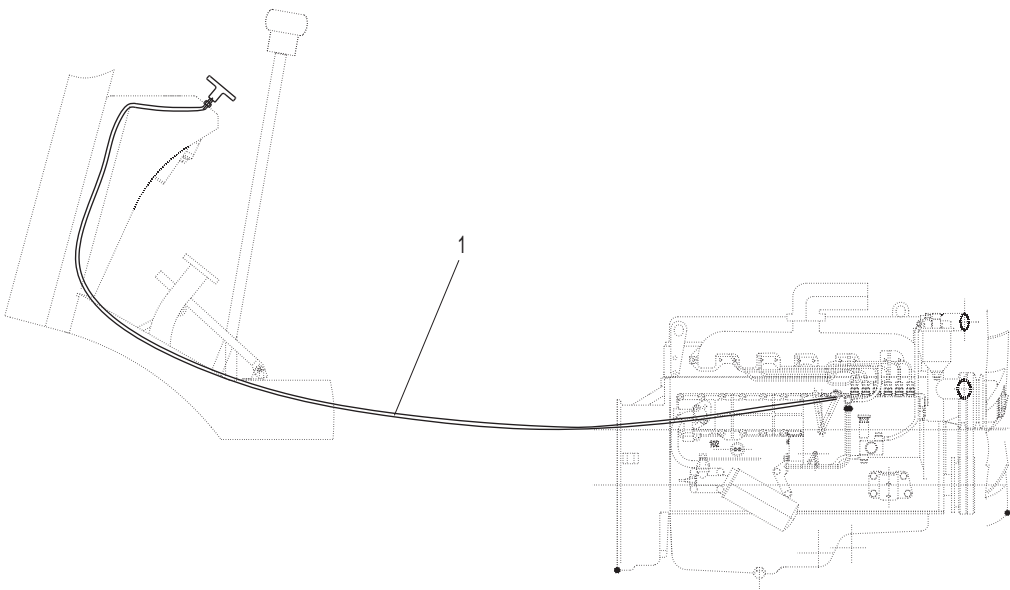
油门操纵系统/Throttle control system

序号 Item No	编 码 Code	图 号 Part No	零部件名称 Description		数量 Q'ty	备 注 Remark
1	51204091614	GB/T5783	螺栓M8×50	Bolt M8×50	1	
2	51307000919	GB/T6170	螺母M8	Nut M8	1	
3	51204080914	GB/T5783	螺栓M6×16	Bolt M6×16	2	
4	51401080107	GB/T93	垫圈6	Washer 6	2	
5	51307000819	GB/T6170	螺母M6	Nut M6	5	
6	51421080115	GB/T97.1	垫圈6	Washer 6	3	
7	30004041611	LG0030DDAⅢ.04.01	油门支架总成	Throttle bracket assembly	1	
8	60207020228	LG0035DTDA.04.02	拉索总成	Pull cable assembly	1	DDA
	60207020225	LG0030DTIG.04.01	拉索总成	pull cable assembly	1	DIG
	60207020218	LG0025DTIA.04.01	拉索总成	pull cable assembly	1	DIA
	30004040409	LG0030GLTPBⅢ.04.01	拉索总成	pull cable assembly	1	GL
9	60207030025	30D-0401000	踏板总成	Pedal assembly	1	
10	51204101114	GB/T5783	螺栓M10×25	Bolt M10×25	2	
11	51401100107	GB/T93	垫圈10	Washer 10	2	

熄火操纵系统/Flameout control system

D, DDA, DQA, DQE, DXC, DXN

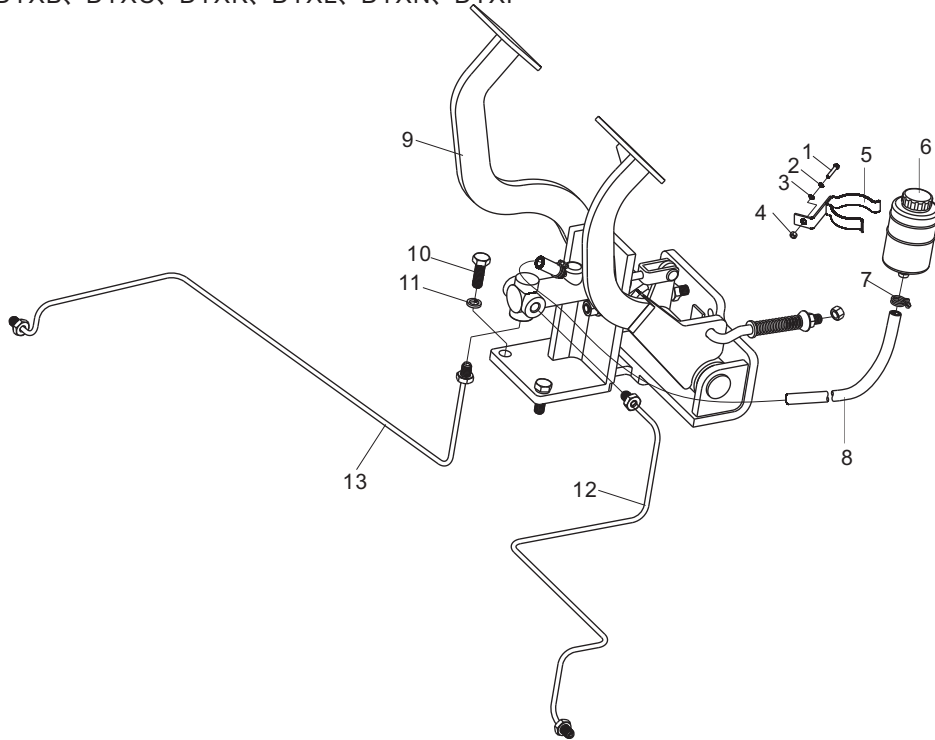
DT, DTDA, DTDB, DTGA, DTQA, DTQE, DTXB, DTXC, DTXK, DTXL, DTXN, DTXP



序号 Item No	编 码 Code	图 号 Part No	零 部 件 名 称 Description	数 量 Q'ty	备 注 Remark
1	60207020214	30D-0501000	拉索总成 Cable assembly	1	

行车制动系统/Service brake system

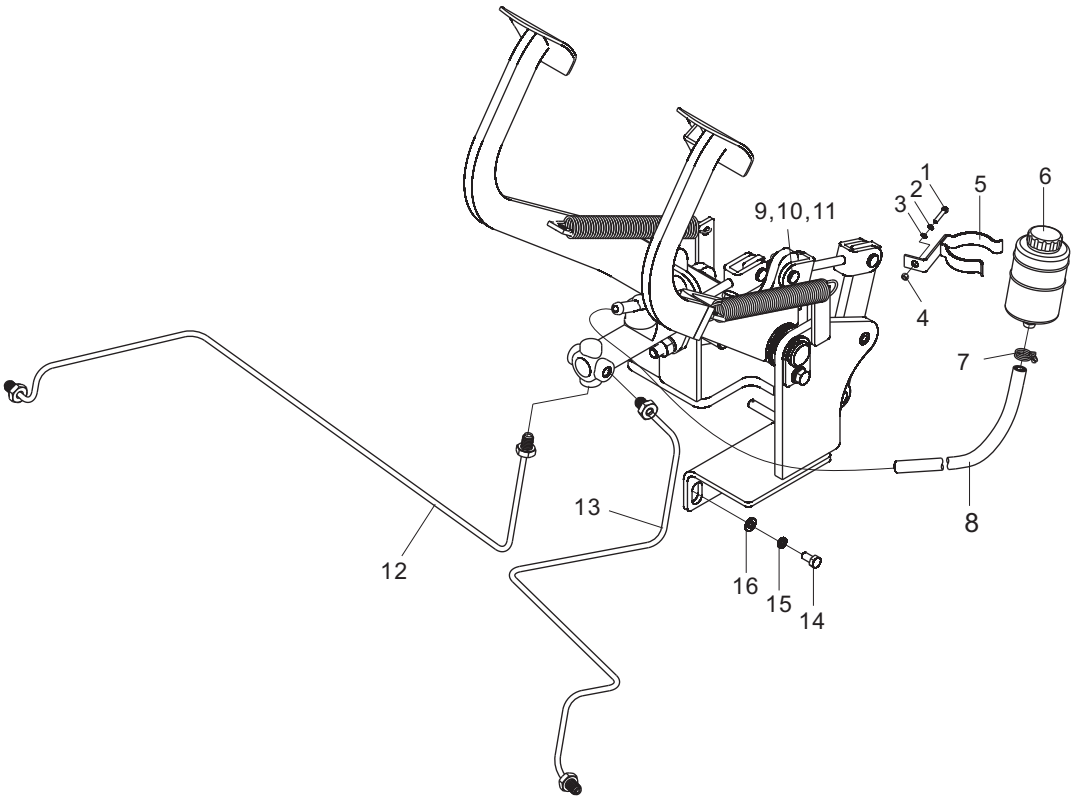
D, DDA, DQA, DQE, DXC, DXN, DT, DTDA, DTDB, DTGA, DTQA, DTQE, DTXB, DTXC, DTXK, DTXL, DTXN, DTXP



序号 Item No	编 码 Code	图 号 Part No	零部件名称 Description	数量 Q'ty	备 注 Remark
1	51204080914	GB/T5783	螺栓M6×16 Screw M6×12	1	
2	51401080107	GB/T93	垫圈6 Washer 6	1	
3	51421080115	GB/T97.1	垫圈6 Washer 6	1	
4	51307000819	GB/T6170	螺母M6 Nut M6	1	
5	30006018101	30D-0601000	支架焊合 Bracket weldment	1	
6	60980001075	30D-0600001	制动液油杯 Brake fluid oil cup	1	
7	56171000101	JB/T8870	喉箍d16(10~16) Hoop d16(10~16)	2	
8	30006112205	LG0030DIII.06-001	塑料管 Plastic tube	1	
9	30006042200	LG0030DIII.06.01	行车制动总成 Service brake assembly	1	
10	51204101214	GB/T5783	螺栓M10×30 Bolt M10×30	4	
11	51401100107	GB/T93	垫圈10 Washer 10	4	
12	30006013315	20D-0601000	钢管总成 Steel tube assembly	1	2-2.5T通用
	30006013322	30D-0621000	钢管总成 Steel tube assembly	1	3-3.5T通用
13	30006013316	20D-0611000	钢管总成 Steel tube assembly	1	2-2.5T通用
	30006013321	30D-0611000	钢管总成 Steel tube assembly	1	3-3.5T通用

行车制动系统/Service brake system

DT, DTHB, DTHD, DTIA, DTIB, DTGA, DTIG, DTIH, DTJA, DTJB, DTMA, DTMB, DTQA, DTQE, DTQG, DTSB, DTXB, DTXC, DTXG, DTXK, DTXL, DTXN, DTXP, GLT, GLTND, GNTND, GT, GTND

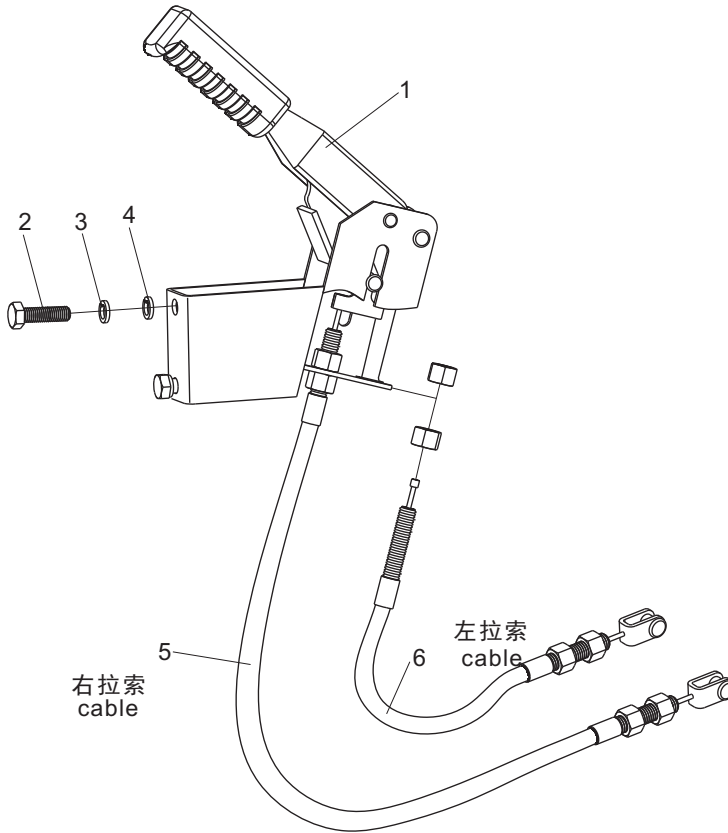


行车制动系统/Service brake system

序号 Item No	编 码 Code	图 号 Part No	零部件名称 Description	数量 Q'ty	备 注 Remark
1	51204080914	GB/T5783	螺栓M6×16 Screw M6×12	1	
2	51401080107	GB/T93	垫圈6 Washer 6	1	
3	51421080115	GB/T97.1	垫圈6 Washer 6	1	
4	51307000819	GB/T6170	螺母M6 Nut M6	1	
5	30006018101	30D-0601000	支架焊合 Bracket weldment	1	
6	60980001075	30D-0600001	制动液油杯 Oil cup	1	
7	56171000101	JB/T8870	喉箍d16(10~16) Hoop d16(10~16)	2	
8	30006112205	LG0030DⅢ.06-001	塑料管 Plastic tube	1	
9	30006042215	LG0030DTⅢ.06.01	行车制动总成 Service brake assembly	1	
10	51421090115	GB/T97.1	垫圈8 Washer 8	1	
11	51512071001	GB/T91	销2.5×20 Cotter pin 2.5×20	1	
12	30006013345	LG0025DTⅢ.06.01	钢管总成 Steel tube assembly	1	2-2.5T
	30006013343	LG0030DTⅢ.06.02	钢管总成 Steel tube assembly	1	3-3.5T
13	30006013346	LG0025DTⅢ.06.02	钢管总成 Steel tube assembly	1	2-2.5T
	30006013344	LG0030DTⅢ.06.03	钢管总成 Steel tube assembly	1	3-3.5T
14	51204101114	GB/T5783	螺栓M10×25 Bolt M10×25	4	
15	51401100107	GB/T93	垫圈10 Washer 10	4	
16	51421100115	GB/T97.1	垫圈10 Washer 10	4	

停车制动系统/Parking brake system

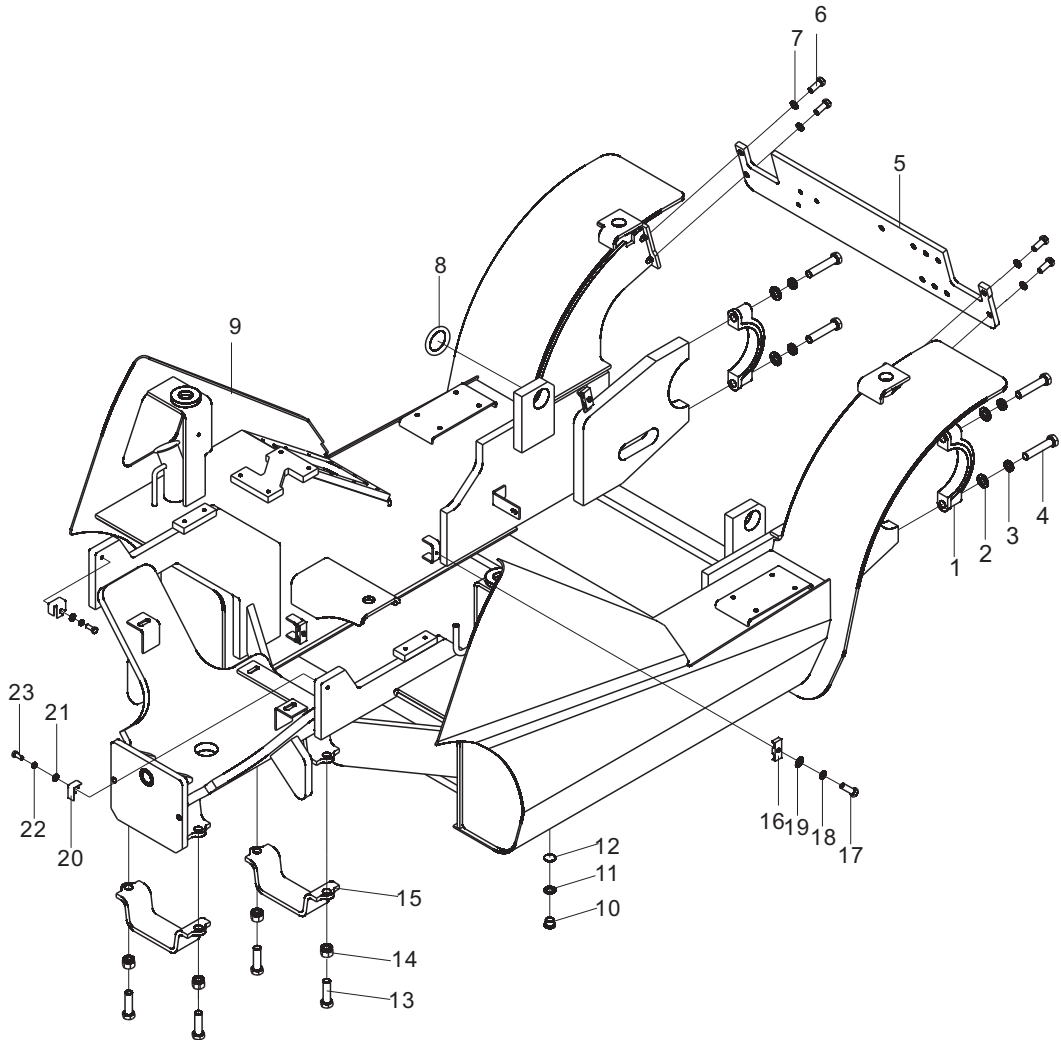
通用



序号 Item No	编 码 Code	图 号 Part No	零 部 件 名 称 Description	数 量 Q'ty	备 注 Remark
1	60208000088	LG0030D.07.01	手制动手柄总成 Hand brake handle assembly	1	
2	51204101114	GB/T5783	螺栓M10X25 Bolt M10×25	2	
3	51401100107	GB/T93	垫圈10 Washer 10	2	
4	51421100115	GB/T97.1	垫圈10 Washer 10	2	
5	68051011451		右制动拉索 Right brake cable	1	
6	68051011452		左制动拉索 Left brake cable	1	

车架/Chassis

通用

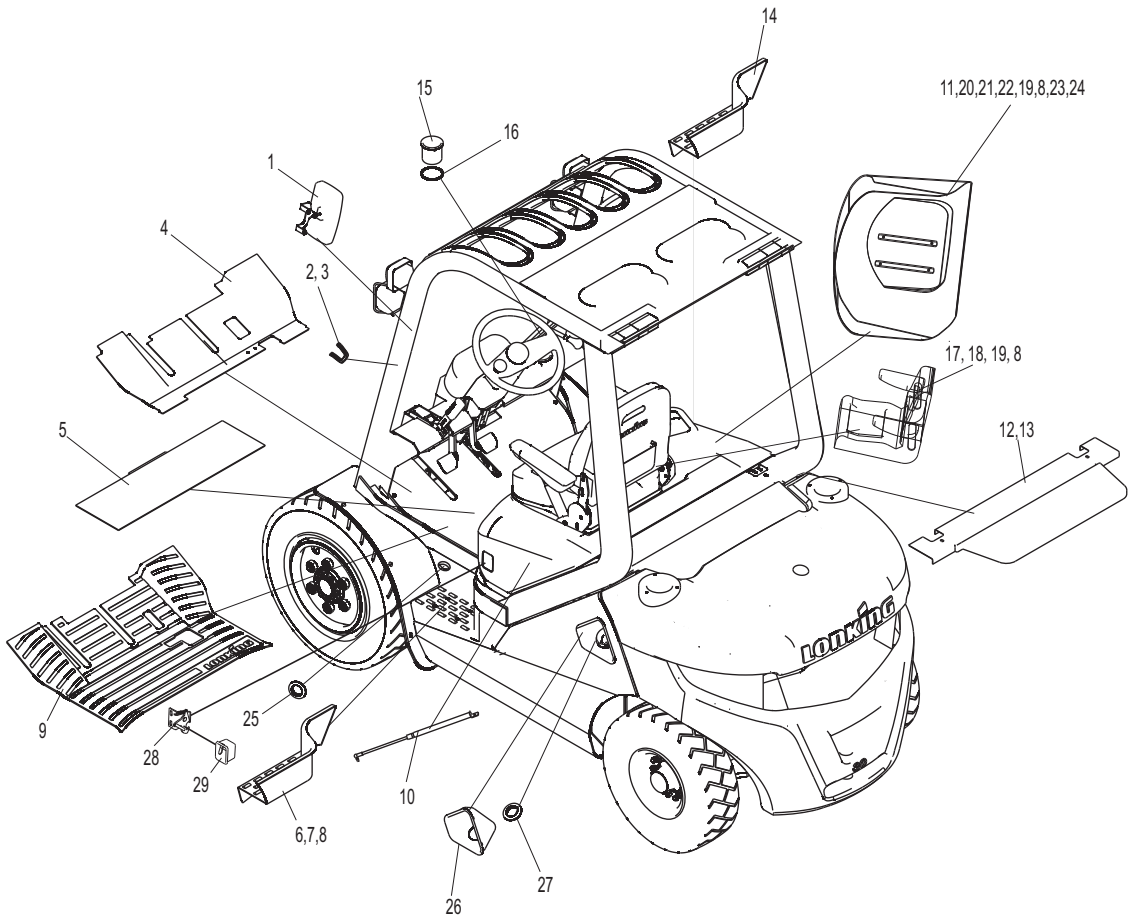


车架/Chassis

序号 Item No	编 码 Code	图 号 Part No	零 部 件 名 称 Description	数量 Q'ty	备 注 Remark
1	30082118500	LG0030D.10-005	端盖 End cover	2	3T通用
2	51210132214	GB/T5785	螺栓M16×1.5×80 Bolt M16×1.5×80	4	2T通用
3	51401130107	GB/T93	垫圈16 Washer 16	4	
4	51421130115	GB/T97.1	垫圈16 Washer 16	4	
5	30008105321	LG0030DⅢ.08-001	安装板 Mounting plate	1	
6	51204111114	GB/T5783	螺栓M12×25 Bolt M12×25	4	
7	51401110107	GB/T93	垫圈12 Washer 12	4	
8	52123000101	GB/T9163	关节轴承GE30ES Joint bearing GE30ES	2	
9	30008050036	LG0030DⅢ.08.01	车架焊合 Chassis	1	3-3.5T D(T)/DTXB
	30008050042	LG0030DTDAⅢ.08.01	车架焊合 Chassis	1	3-3.5T DTDA/DTDB
	30008050047	LG0030DTJAⅢ.08.01	车架焊合 Chassis	1	3-3.5T DTJA/DTJB
	30008050052	LG0030DTIHⅢ.08.01	车架焊合 Chassis	1	3-3.5T DIG/DTIH
	30008050066	LG0030DTMAⅢ.08.01	车架焊合 Chassis	1	3-3.5T DTMA/DTMB
	30008050061	LG0030DTIAⅢ.08.01	车架焊合 Chassis	1	3-3.5T DIA/DTIA/DTIB
	30008050051	LG0035GLTNDⅢ.08.01	车架焊合 Chassis	1	G/GLT/GLTND/ DNTND/GT/GTND
	30008050074	LG0030GLTPBⅢ.08.01	车架焊合 Chassis	1	GLTPB
	30008050107	LG0030DTHBⅢ.08.01	车架焊合 Chassis	1	DTHB/DTHD
	30008050044	LG0025DⅢ.08.01	车架焊合 Chassis	1	2-2.5T D/DI/DTXBX
	30008050054	LG0025DTIAⅢ.08.01	车架焊合 Chassis	1	2-2.5T DIA/DTIA/DTIB
	30008050049	LG0025DTJAⅢ.08.01	车架焊合 Chassis	1	2-2.5T DTJA/DTJB
	30008050073	LG0025GLTNDⅢ.08.01	车架焊合 Chassis	1	2-2.5T GLT/GLTND
10	56302000602	JB/ZQ4444	螺塞M18×1.5 Plug M18×1.5	2	
11	56147010601	JB/T982	组合垫圈18 Combination washer 18	2	
12	60980000538	20B-1206005	磁铁50×25×8 Magnet 50×25×8	2	
13	51204135014	GB/T5783	螺栓M16×55 Bolt M16×55	4	
14	51341000919	GB/T889.1	螺母M16 Nut M16	4	
15	30008105301	30D-0800024	安装板 Mounting plate	2	
16	51204081014	GB/T5783	螺栓M6×20 Bolt M6×20	3	
17	51401080107	GB/T93	垫圈6 Washer 6	3	
18	51421080115	GB/T97.1	垫圈6 Washer 6	3	
19	30082107608	LG0030D.10.13-001	固定板 Fixed plate	3	
20	30008154806	LG0030DⅢ.08-003	调整垫 Adjustable gasket	2	按需
21	51204091014	GB/T5783	螺栓M8×20 Bolt M8×20	2	按需
22	51401090107	GB/T93	垫圈8 Washer 8	2	按需
23	51421090115	GB/T97.1	垫圈8 Washer 8	2	按需

覆盖件系统/Outer panel system

通用

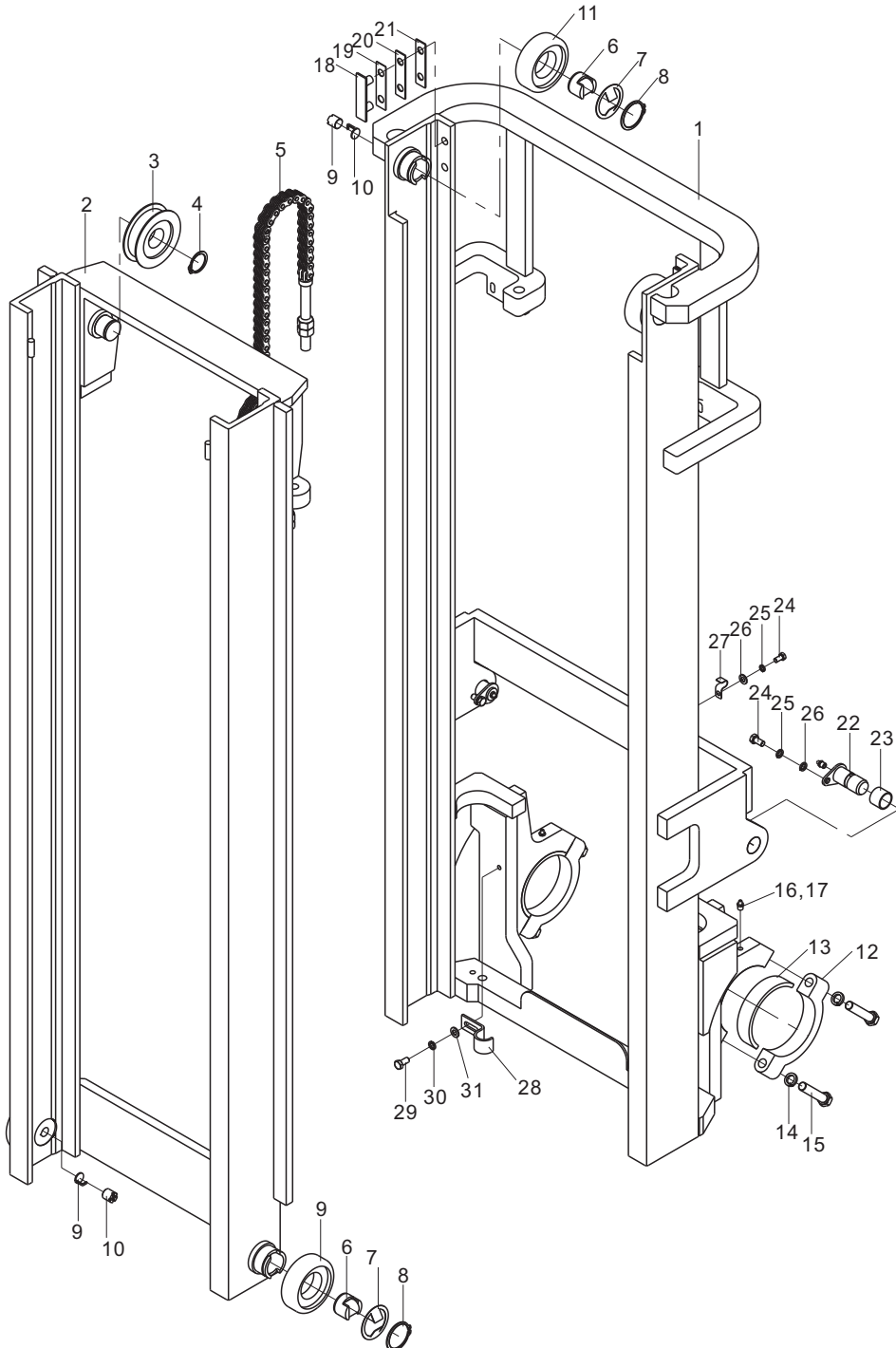


覆盖件系统/Outer panel system

序号 Item No	编 码 Code	图 号 Part No	零 部 件 名 称 Description	数量 Q'ty	备 注 Remark
1	60917010007	30D-0902000	倒车镜 Rearview mirror	2	
2	30009156200	30D-0903000	把手 Handle	1	
3	51139190605	GB/T70.1	螺钉M6×25 Screw M6×25	2	
4	30009124043	LG0030DⅢ.09-001	底板 Bottom plate	1	机械车
	30009124045	LG0030DTⅢ.09-002	底板 Bottom plate	1	液力/液化石油气车
	30009045960	LG0030DTLBⅢ.09.01	底板焊合 Bottom plate weldment	1	仅DTSB
5	30009045936	LG0030DⅢ.09.01	底板焊合 Bottom plate weldment	1	机械车
	30009045937	LG0030DTⅢ.09.01	底板焊合 Bottom plate weldment	1	液力/液化石油气车
6	30009146819	LG0030DⅢ.09-002	踏板 Left pedal	1	
7	51204090914	GB/T5783	螺栓M8×16 Bolt M8×16	8	
8	51420090121	GB/T96.1	垫圈8 Washer 8	20	
9	30009147002	LG0030DⅢ.09-008	踏板垫 pedal gasket	1	
10	60700000790	LG0030DⅢ.09.05	气弹簧 Air spring	1	
11	60500000062	LG0030DⅢ.09.04	发动机罩总成 Engine hood assembly	1	
12	30009107325	LG0030DⅢ.09-003	盖板 Cover plate	1	
13	30009157300	20B-0900003	螺钉 Screw	2	
14	30009146820	LG0030DⅢ.09-004	踏板 Pedal	1	
15	60903000029	LG0030DⅢ.09-023	工具箱 Tool kit	1	
16	30009113912	LG0030DⅢ.09-024	橡胶垫 Rubber gasket	1	
17	60920011458	LG0030D.09.06	座椅总成 Seat assembly	1	
18	51204091114	GB/T5783	螺栓M8×25 Bolt M8×25	4	
19	51341000519	GB/T889.1	螺母M8 Nut M8	8	
20	60701010156	LG0030D.09.08	铰链 Hinge	2	
21	51421090115	GB/T97.1	垫圈8 Washer 8	8	
22	51139210605	GB/T70.1	螺钉M8×30 Screw M8×30	8	
23	51401090107	GB/T93	垫圈8 Washer8	4	
24	51307000919	GB/T6170	螺母M8 Nut M8	4	
25	30014158000	LG0020BD.14-006	橡胶盖 Rubber cap	2	
26	30009108706	LG0030DⅢ.09-005	护罩 Shield	1	
27	30009106400	LG0030DⅢ.09-006	护圈 Guard ring	1	
28	30009047306	LG0075DTG.09.01.02	锁扣总成 Lock assy.	1	
29	30009104100	LG0075DTG.09.01-004	方盒 Square box	1	

门架(基本型) / Mast (normal mast)

2-2. 5T通用



门架(基本型) / Mast (normal mast)

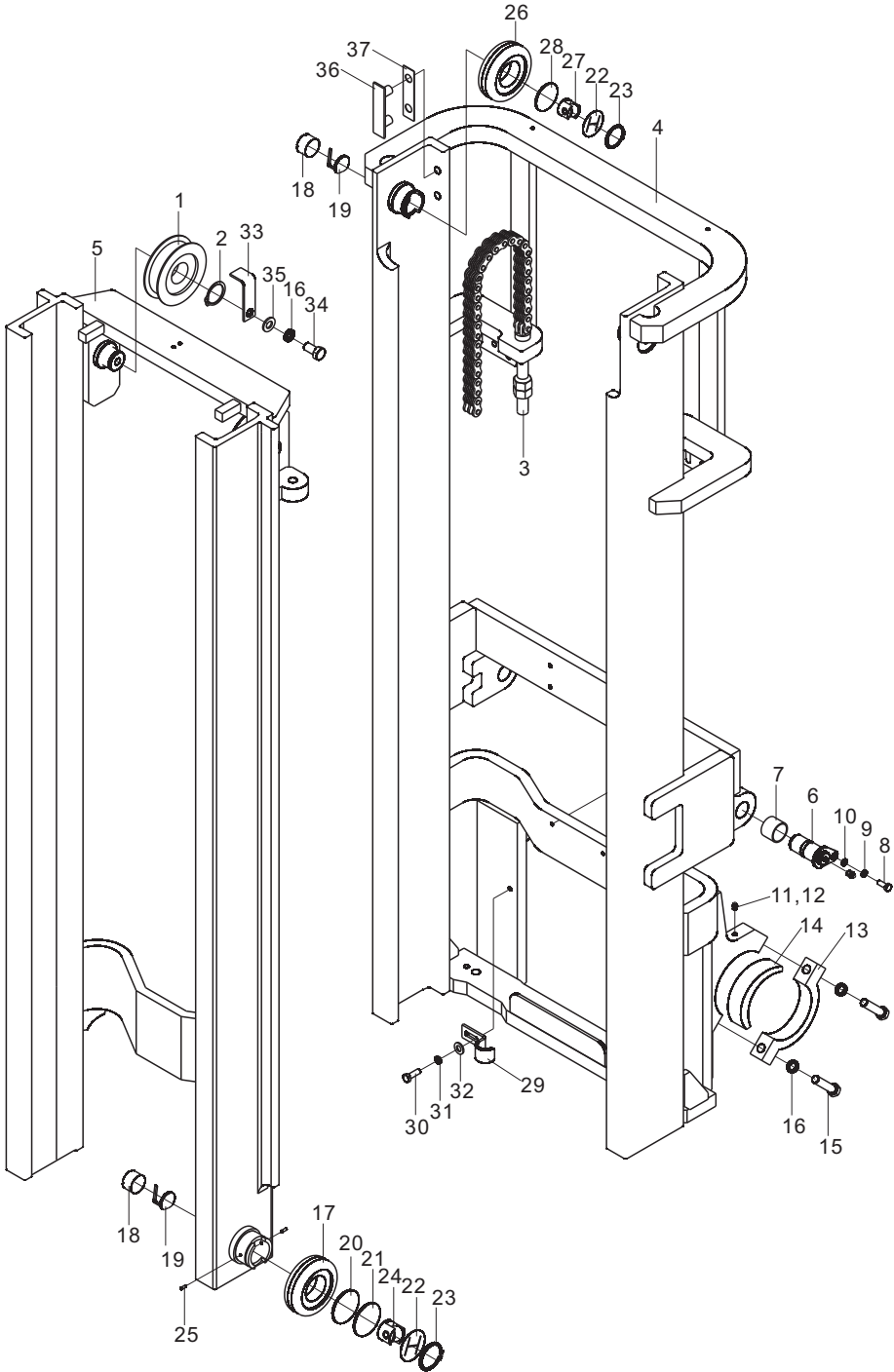
序号 Item No	编 码 Code	图 号 Part No	零 部 件 名 称 Description	数量 Q'ty	备 注 Remark
1	30080082841	LG0020D.III.10.01	外门架焊合 Outer mast	1	
2	30080081785	LG0020D.III.10.03	内门架焊合 Inner mast	1	
3	30082185700	LG0030D.10-014	链轮 Chain wheel	2	
4	51453350107	GB/T894.1	挡圈40 Snap ring 40	2	
5	30080080220	LG0025B.III.10.07	链条总成LH1234(115节) Chain assembly	2	
6A	30082141004	LG0030D.10.17	滚轮总成 Roller assembly	4	含6-9项
6	30004141000	LG0030D.10.17-001	滚轮 Roller	4	
7	30080180401	LG0030D.10.16-002	防尘片 Dust ring	4	
8	51453420107	GB/T894.1	挡圈55 Snap ring 55	4	
9	30080182801	LG0030D.10.16-003	止松片 Stop ring	4	
10	60980000833	LG0030D.10.06.01-002	螺钉M20X1.5X17 Screw M20×1.5×17	4	
11	30082141006	LG0025B.III.10-002	滚轮 Roller	4	
12	30082118500	LG0030D.10-005	端盖 End cover	2	
13	30082184500	LG0030D.10-006	轴衬 Bushing	2	
14	51401130107	GB/T93	垫圈16 Washer 16	4	
15	51207132014	GB/T5786	螺栓M16×1.5×70 Bolt M16×1.5×70	4	
16	56201000301	JB/T7940.1	油杯M10×1 oil cup M10×1	4	
17	60980005823	LG0030D.10-021	红色保护套 Red sheath	4	
18	30080185100	LG0018BE.10-005	滑块 Slide block	2	
19	30082154800	LG0030D.10-008	调整垫 Adjustable gasket	2	t=0.5
20	30082154805	LG0030D.10-008	调整垫 Adjustable gasket	2	t=1.0
21	30082154806	LG0030D.10-008	调整垫 Adjustable gasket	2	t=2.0
22	30080025001	LG0020D.10.03	销轴焊合 Pin shaft weldment	2	
23	52001000302	GB/T12949	滑动轴承30×34×25 Slide bearing 30×34×25	2	
24	51204091014	GB/T5783	螺栓M8×20 Bolt M8×20	4	
25	51401090107	GB/T93	垫圈8 Washer 8	4	
26	51421090115	GB/T97.1	垫圈8 Washer 8	4	
27	30082107800	LG0030D.10-015	管夹 Clip	2	
28	30082107801	LG0030D.10-017	管夹 Clip	1	
29	51204101014	GB/T5783	螺栓M10×20 Bolt M10×20	1	
30	51401100107	GB/T93	垫圈10 Washer 10	1	
31	51421100115	GB/T97.1	垫圈10 Washer 10	1	

门架参数/Parameter(mast)

编 码 Code	起升高度 Lifting H	内门架 Inner mast	外门架 Outer mast	链条编码 Code,chain	链条节数 Chain,leaf	备 注 Remark
30080911067	2000	30080081786	30080082842	30082080202	89	
30080911068	2500	30080081787	30080082843	30080080204	103	
30080911069	2750	30080081788	30080082844	30080080219	109	
30080911066	3000	30080081785	30080082841	30080080220	115	标准
30080911070	3300	30080081789	30080082845	30080080217	123	
30080911071	3500	30080081790	30080082846	30080080224	129	
30080911072	3750	30080081791	30080082847	30082080200	135	
30080911073	4000	30080081792	30080082848	30082080221	145	
30080911074	4250	30080081793	30080082849	30082080231	151	
30080911075	4500	30080081794	30080082850	30082080219	157	
30080911076	4750	30080081795	30080082851	30082080220	163	
30080911077	5000	30080081796	30080082852	30082080230	171	
30080911078	5500	30080081797	30080082853	30082080232	187	
30080911079	6000	30080081798	30080082854	30082080227	199	

门架(基本型) / Mast (normal mast)

3T



门架(基本型) / Mast (normal mast)

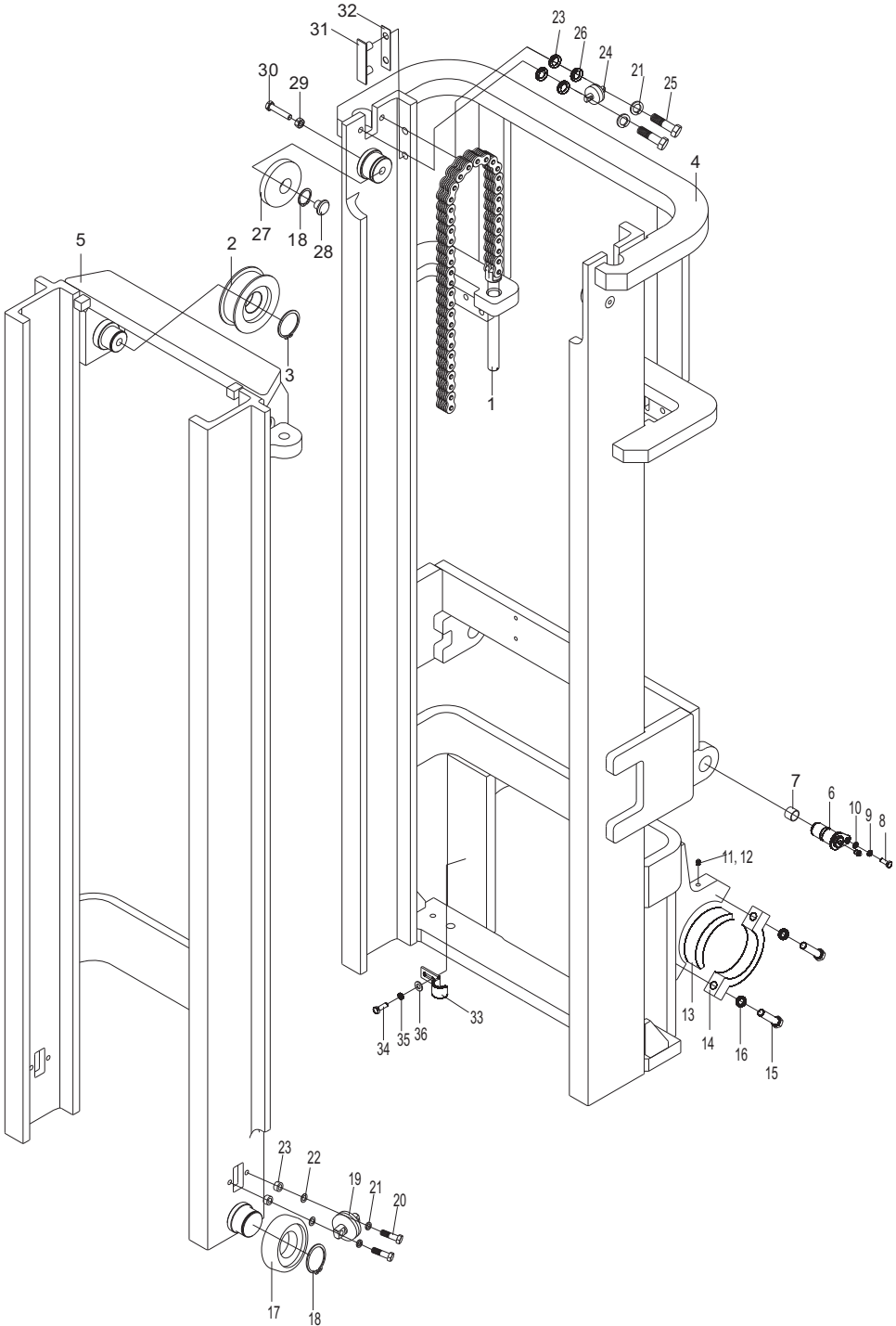
序号 Item No	编 码 Code	图 号 Part No	零 部 件 名 称 Description	数量 Qty	备 注 Remark
1	30082185700	LG0030D.10-014	链轮 Chain wheel	2	
2	51453350107	GB/T894.1	挡圈40 Snap ring 55	2	
3	30082080322	LG0030D III .10.01	链条总成LH1623(83节) Chain assembly	2	
4	30082082869	LG0030D III .10.06	外门架焊合 Inner mast	1	
5	30082081828	LG0030D III .10.05	内门架焊合 Outer mast	1	
6	30080025001	LG0020D.10.03	销轴焊合 Pin shaft weldment	4	
7	52001000302	GB/T12949	滑动轴承30×34×25 Sleeve 30×34×25	2	
8	51204091014	GB/T5783	螺栓M8×20 Bolt M8×20	2	
9	51401090107	GB/T93	垫圈8 Washer 8	2	
10	51421090115	GB/T97.1	垫圈8 Washer 8	2	
11	60980005823	LG0030D.10-021	红色保护套 Red sheath	4	
12	56201000301	JB/T7940.1	油杯M10×1 Oil cup M10×1	4	
13	30082118500	LG0030D.10-005	端盖 End cover	2	
14	30082184500	LG0030D.10-006	轴衬 Bushing	2	
15	51207132014	GB/T5786	螺栓M16×1.5×70 Bolt M16×1.5×70	4	
16	51401130107	GB/T93	垫圈16 Washer 16	6	
17	30082141002	LG0030D.10-003	滚轮 Roller	2	
18	60980000833	LG0030D.10.06.01-002	螺钉M20X1.5X17 Screw M20×1.5×17	4	
19A	30082081401	LG0030D III .10.02	滚轮总成 Roller assembly	2	含19-25项
19	30080182801	LG0030D.10.16-003	止松片 Stop ring	4	
20	30082154813	LG0030D III .10.02-001	调整垫 Adjustable gasket	2	
21	30082113902	LG0030D III .10.02-002	橡胶垫 Rubber gasket	2	
22	30080180401	LG0030D.10.16-002	防尘片 Dust ring	4	
23	51453420107	GB/T894.1	挡圈55 Snap ring 55	4	
24	30082141005	LG0030D III .10.02-003	滚轮 Roller	2	
25	51517092302	GB/T119.2	销5×10 Pin 5×10	4	
26	30082141003	LG0030D.10-004	滚轮 Roller	2	
27A	30082141004	LG0030D.10.17	滚轮总成 Roller assembly	2	含19, 23, 24, 27
27	30004141000	LG0030D.10.17-001	滚轮 Roller	4	
28	30082113903	LG0030D.10-020	橡胶垫 Rubber gasket	2	
29	30082107801	LG0030D.10-017	管夹 Clip	1	
30	51204101014	GB/T5783	螺栓M10×20 Bolt M10×20	1	
31	51401100107	GB/T93	垫圈10 Washer 10	5	
32	51421100115	GB/T97.1	垫圈10 Washer 10	5	
33	30082180201	LG0030D.10-018	挡链板 Chain guide plate	2	
34	51207133314	GB/T5786	螺栓M16×1.5×30 Bolt M16×1.5×30	2	

门架(基本型) / Mast (normal mast)

序号 Item No	编 码 Code	图 号 Part No	零 部 件 名 称 Description	数 量 Q'ty	备 注 Remark
35	51421130115	GB/T97.1	垫圈16 Washer 16	4	
36	30082185100	LG0030D.10-007	滑块 Slide block	2	
37	30082154800	LG0030D.10-008	调整垫 Adjustable gasket	2	t=0.5
	30082154805	LG0030D.10-008	调整垫 Adjustable gasket	2	t=1.0
	30082154806	LG0030D.10-008	调整垫 Adjustable gasket	2	t=2.0

门架(基本型) / Mast (normal mast)

3.5T



门架(基本型) / Mast (normal mast)

序号 Item No	编 码 Code	图 号 Part No	零 部 件 名 称 Description	数量 Qty	备 注 Remark
1	30082080404	LG0035D.III.10.03	链条总成LH1634 Chain assembly	2	
2	30082185702	LG0035D.10-003	链轮 Chain wheel	2	
3	51453370107	GB/T894.1	挡圈45 Snap ring 55	4	
4	30082082789	LG0035D.III.10.01	外门架焊合 Outer mast	1	
5	30082081742	LG0035D.III.10.02	内门架焊合 Inner mast	1	
6	30080025001	LG0020D.10.03	销轴焊合 Pin shaft weldment	2	
7	52001000302	GB/T12949	滑动轴承30×34×25 Slide bearing 30×34×25	2	
8	51204091014	GB/T5783	螺栓M8×20 Bolt M8×20	2	
9	51401090107	GB/T93	垫圈8 Washer 8	2	
10	51421090115	GB/T97.1	垫圈8 Washer 8	2	
11	56201000301	JB/T7940.1	油杯M10×1 Oil cup M10×1	4	
12	60980005823	LG0030D.10-021	红色保护套 Red sheath	4	
13	30082118500	LG0030D.10-005	端盖 End cover	2	
14	30082184500	LG0030D.10-006	轴衬 Bushing	2	
15	51207132014	GB/T5786	螺栓M16×1.5×70 Bolt M16×1.5×70	4	
16	51401130107	GB/T93	垫圈16 Washer 16	4	
17	30082141002	LG0030D.10-003	滚轮 Roller	2	
18	51453420107	GB/T894.1	挡圈55 Snap ring 55	4	
19	30082081402	LG0035D.III.10.05	滚轮总成 Roller assembly	2	
20	51204111714	GB/T5783	螺栓M12×55 Bolt M12×55	4	
21	51401110107	GB/T93	垫圈12 Stop ring	8	
22	30086106401	LG0045D.10-008	垫圈 Adjustable gasket	4	
23	30086118200	LG0060DT.10-008	垫片 Rubber gasket	8	
24	30082141010	LG0025B.III.10.04	滚轮 Dust ring	2	
25	51204111414	GB/T5783	螺栓M12×40 Bolt M12×40	4	
26	30086106400	LG0060DT.10-007	垫圈 Washer	4	
27	30082141003	LG0030D.10-004	滚轮 Roller	2	
28	51204101714	GB/T5783	螺栓M10×55 Bolt M10×55	2	
29	51307001019	GB/T6170	螺母M10 Nut M10	2	
30	30082153000	LG0035D.III.10-001	限位块 Limit position block	2	
31	30082185100	LG0030D.10-007	滑块 Slide block	2	
32	30082154800	LG0030D.10-008	调整垫 Adjustable gasket	2	t=0.5
	30082154805	LG0030D.10-008	调整垫 Adjustable gasket	2	t=1.0
	30082154806	LG0030D.10-008	调整垫 Adjustable gasket	2	t=2.0
33	30082107801	LG0030D.10-017	管夹 Clip	1	
34	51204101014	GB/T5783	螺栓M10×20 Bolt M10×20	1	

门架(基本型) / Mast (normal mast)

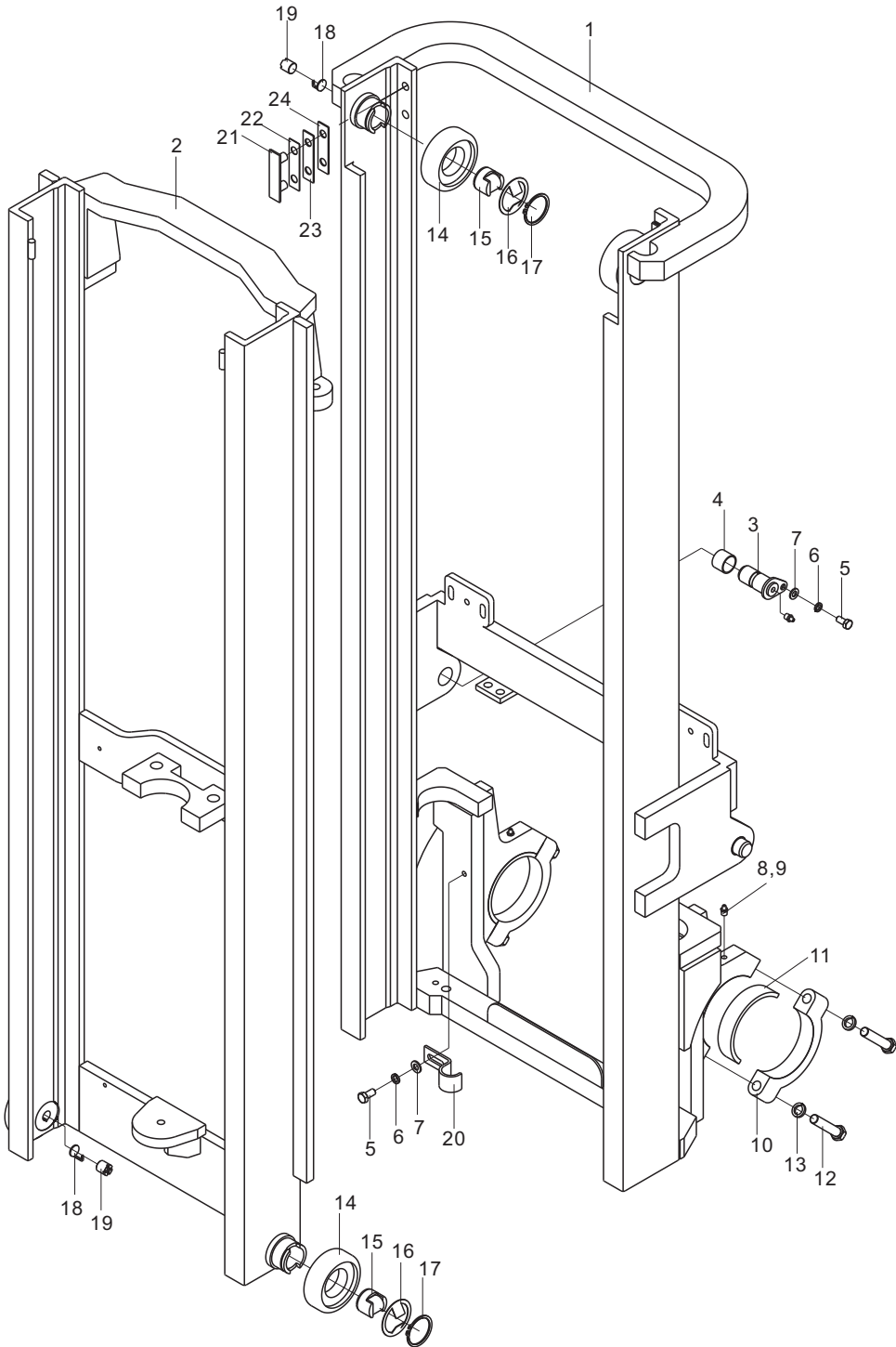
序号 Item No	编 码 Code	图 号 Part No	零 部 件 名 称 Description	数量 Q'ty	备 注 Remark
35	51401100107	GB/T93	垫圈10	Washer 10	1
36	51421100115	GB/T97.1	垫圈10	Washer 10	1

门架参数/Parameter(mast)

编 码 Code	起升高度 Lifting H	内门架 Inner mast	外门架 Outer mast	链条编码 Code,chain	链条节数 Chain,leaf	备 注 Remark
30082910015	2000	30082081739	30082082786	30086080400	65	
30082910016	2500	30082081740	30082082787	30086080401	75	
30082910017	2700	30082081741	30082082788	30082080403	79	
30082910018	3000	30082081742	30082082789	30082080404	85	标准
30082910019	3300	30082081743	30082082790	30086080402	91	
30082910020	3500	30082081744	30082082791	30086080403	95	
30082910021	3700	30082081745	30082082792	30086080404	99	
30082910022	4000	30082081746	30082082793	30082080408	105	
30082910023	4250	30082081747	30082082794	30082080409	111	
30082910024	4500	30082081748	30082082795	30082080410	115	
30082910025	4750	30082081749	30082082796	30082080411	121	
30082910026	5000	30082081750	30082082797	30082080407	125	
30082910027	5500	30082081751	30082082798	30082080408	137	
30082910028	6000	30082081752	30082082799	30082080409	147	

门架(二级全自由) / Mast (full free 2-stage mast)

2-2. 5T通用

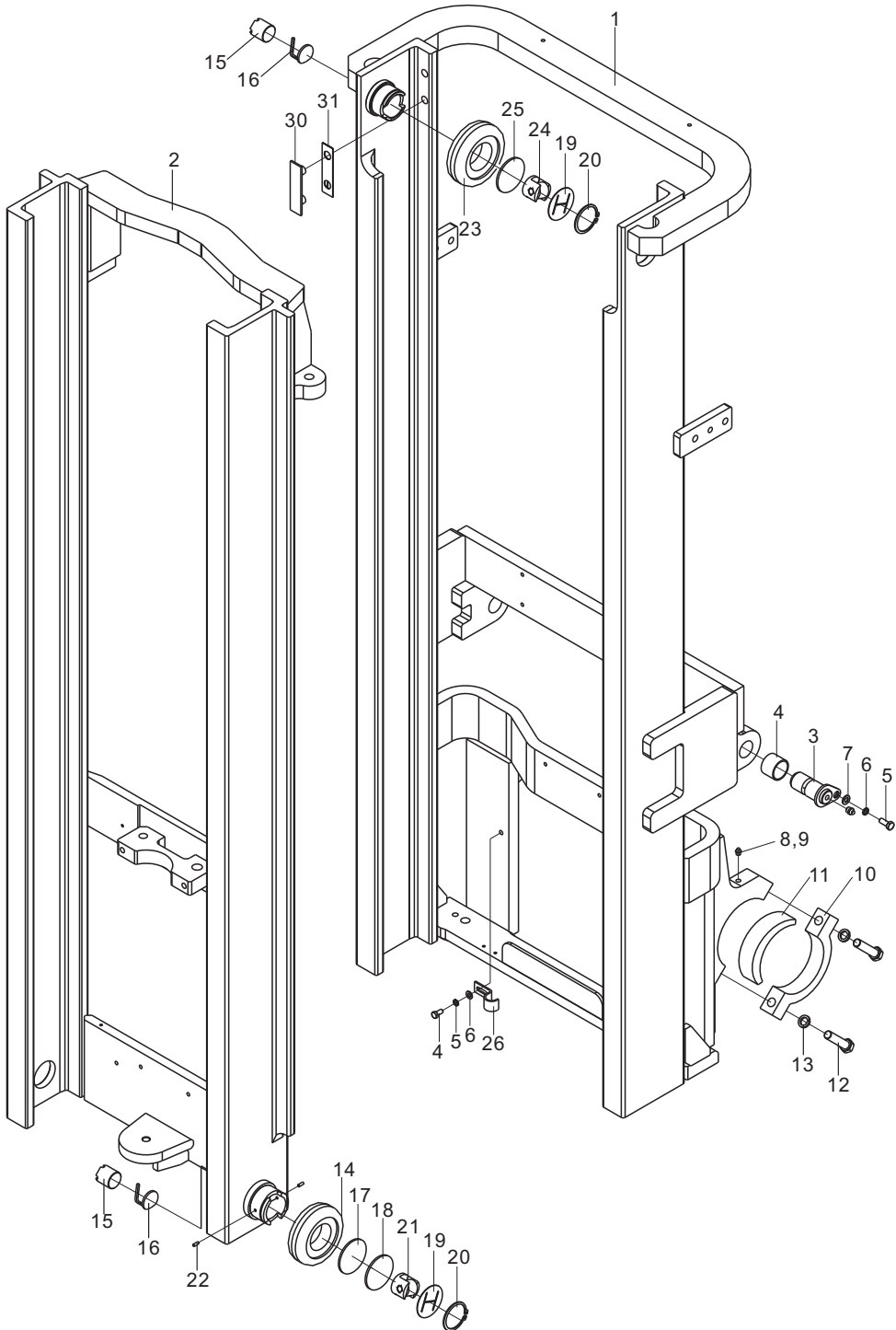


门架(二级全自由) / Mast (full free 2-stage mast)

序号 Item No	编 码 Code	图 号 Part No	零 部 件 名 称 Description	数 量 Q'ty	备 注 Remark
1	30080082700	LG0020D.III.10A.01	外门架焊合 Outer mast	1	
2	30080081700	LG0020D.III.10A.02	内门架焊合 Inner mast	1	
3	30080025001	LG0020D.10.03	销轴焊合 Pin shaft weldment	4	
4	52001000302	GB/T12949	滑动轴承30×34×25 Slide bearing 30×34×25	4	
5	51204091014	GB/T5783	螺栓M8×20 Bolt M8×20	3	
6	51401090107	GB/T93	垫圈8 Washer 8	3	
7	51421090115	GB/T97.1	垫圈8 Washer 8	3	
8	56201000301	JB/T7940.1	油杯M10×1 Oil cup M10×1	4	
9	60980005823	LG0030D.10-021	红色保护套 Red sheath	4	
10	30082118500	LG0030D.10-005	端盖 End cover	2	
11	30082184500	LG0030D.10-006	轴衬 Bushing	2	
12	51207132014	GB/T5786	螺栓M16×1.5×70 Bolt M16×1.5×70	4	
13	51401130107	GB/T93	垫圈16 Washer 16	4	
14	30082141006	LG0025B.III.10-002	滚轮 Roller	4	
15A	30082141004	LG0030D.10.17	滚轮总成 Roller assembly	4	
15	30004141000	LG0030D.10.17-001	滚轮 Roller	4	
16	30080180401	LG0030D.10.16-002	防尘片 Dust ring	4	
17	51453420107	GB/T894.1	挡圈55 Snap ring 55	4	
18	30080182801	LG0030D.10.16-003	止松片 Stop ring	4	
19	60980000833	LG0030D.10.06.01-002	螺钉M20X1.5X17 Screw M20×1.5×17	4	
20	30082107801	LG0030D.10-017	管夹 Clip	1	
21	30082185100	LG0030D.10-007	滑块 Slide block	2	
22	30082154800	LG0030D.10-008	调整垫 Adjustable gasket	2	t=0.5
23	30082154805	LG0030D.10-008	调整垫 Adjustable gasket	2	t=1.0
24	30082154806	LG0030D.10-008	调整垫 Adjustable gasket	2	t=2.0

门架(二级全自由) / Mast (full free 2-stage mast)

3T



门架(二级全自由) / Mast (full free 2-stage mast)

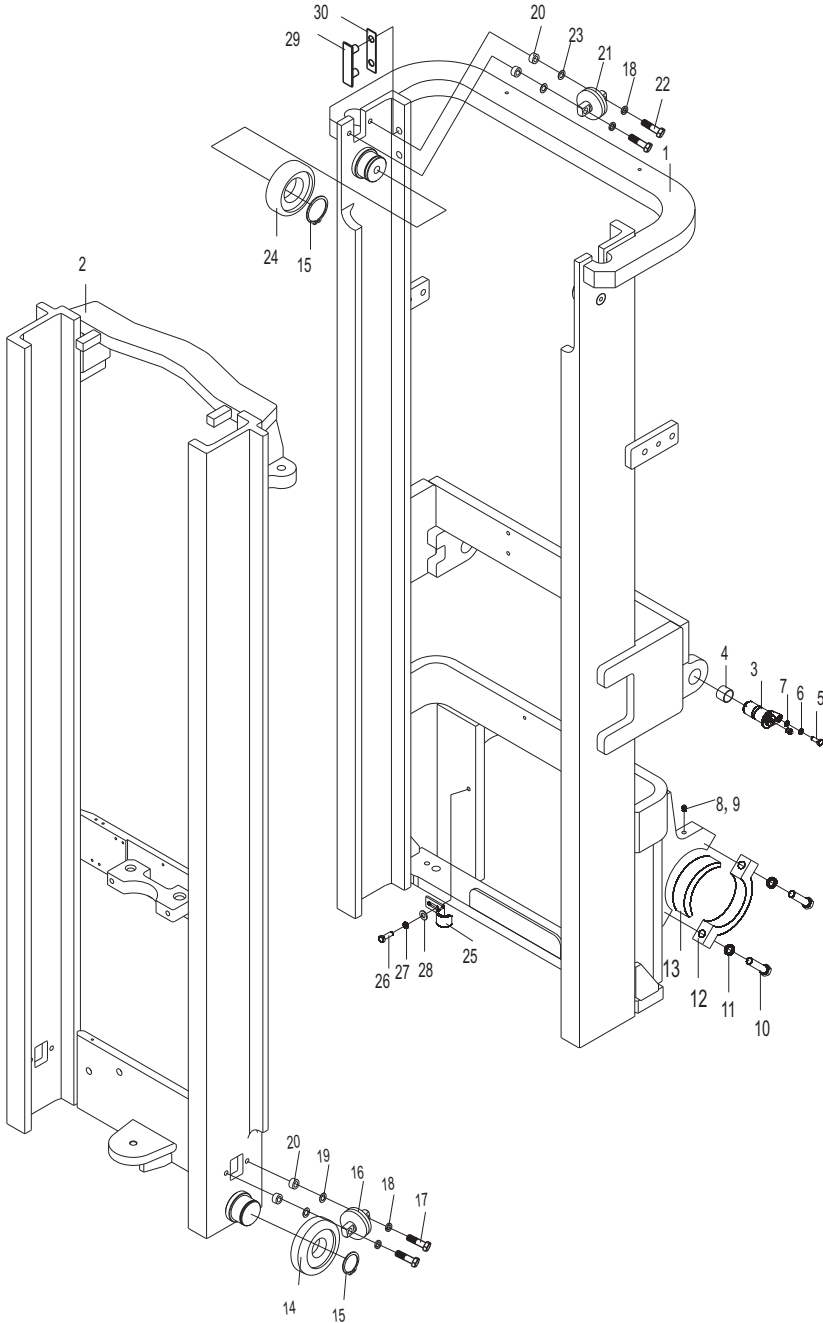
序号 Item No	编 码 Code	图 号 Part No	零 部 件 名 称 Description	数量 Q'ty	备 注 Remark
1	30082082894	LG0030D.III.10A.02.01	外门架焊合 Inner mast	1	
2	30082081854	LG0030D.III.10A.02.02	内门架焊合 Outer mast	1	
3	30080025001	LG0020D.10.03	销轴焊合 Pin shaft weldment	4	
4	52001000302	GB/T12949	滑动轴承30×34×25 Slide bearings 30×34×25	2	
5	51204091014	GB/T5783	螺栓M8×20 Bolt M8×20	2	
6	51401090107	GB/T93	垫圈8 Washer 8	2	
7	51421090115	GB/T97.1	垫圈8 Washer 8	2	
8	60980005823	LG0030D.10-021	红色保护套 Red sheath	4	
9	56201000301	JB/T7940.1	油杯M10×1 Oil cup M10×1	4	
10	30082118500	LG0030D.10-005	端盖 End cover	2	
11	30082184500	LG0030D.10-006	轴衬 Bushing	2	
12	51207132014	GB/T5786	螺栓M16×1.5×70 Bolt M16×1.5×70	4	
13	51401130107	GB/T93	垫圈16 Washer 16	6	
14	30082141002	LG0030D.10-003	滚轮 Roller	2	
15	60980000833	LG0030D.10.06.01-002	螺钉M20X1.5X17 Screw M20×1.5×17	4	
16A	30082081401	LG0030D.III.10.02	滚轮总成 Roller assembly	2	含16-22项
16	30080182801	LG0030D.10.16-003	止松片 Stop ring	4	
17	30082154813	LG0030D.III.10.02-001	调整垫 Adjustable gasket	2	
18	30082113902	LG0030D.III.10.02-002	橡胶垫 Rubber gasket	2	
19	30080180401	LG0030D.10.16-002	防尘片 Dust ring	4	
20	51453420107	GB/T894.1	挡圈55 Snap ring 55	4	
21	30082141005	LG0030D.III.10.02-003	滚轮 Roller	2	
22	51517092302	GB/T119.2	销5×10 Pin 5×10	4	
23	30082141003	LG0030D.10-004	滚轮 Roller	2	
24A	30082141004	LG0030D.10.17	滚轮总成 Roller assembly	2	含16,19,20,24
24	30004141000	LG0030D.10.17-001	滚轮 Roller	4	
25	30082113903	LG0030D.10-020	橡胶垫 Rubber gasket	2	
26	30082107801	LG0030D.10-017	管夹 Clip	1	
27	51204101014	GB/T5783	螺栓M10×20 Bolt M10×20	1	
28	51401100107	GB/T93	垫圈10 Washer 10	5	
29	51421100115	GB/T97.1	垫圈10 Washer 10	5	
30	30082185100	LG0030D.10-007	滑块 Slide block	2	
31	30082154800	LG0030D.10-008	调整垫 Adjustable gasket	2	t=0.5
	30082154805	LG0030D.10-008	调整垫 Adjustable gasket	2	t=1.0
	30082154806	LG0030D.10-008	调整垫 Adjustable gasket	2	t=2.0

门架参数/Parameter(mast)

编 码 Code	起升高度 Lifting H	内门架 Inner mast	外门架 Outer mast	备 注 Remark
30082912057	2000	30082081852	30082082892	
30082912058	2500	30082081853	30082082893	
30082912059	3000	30082081854	30082082894	标准
30082912060	3300	30082081855	30082082895	
30082912061	3500	30082081856	30082082896	
30082912062	3750	30082081857	30082082897	
30082912063	4000	30082081858	30082082898	
30082912055	4500	30082081628	30082082822	
30082912054	2750	30082081627	30082082821	

门架(二级全自由) / Mast (full free 2-stage mast)

3.5T



门架(二级全自由) / Mast (full free 2-stage mast)

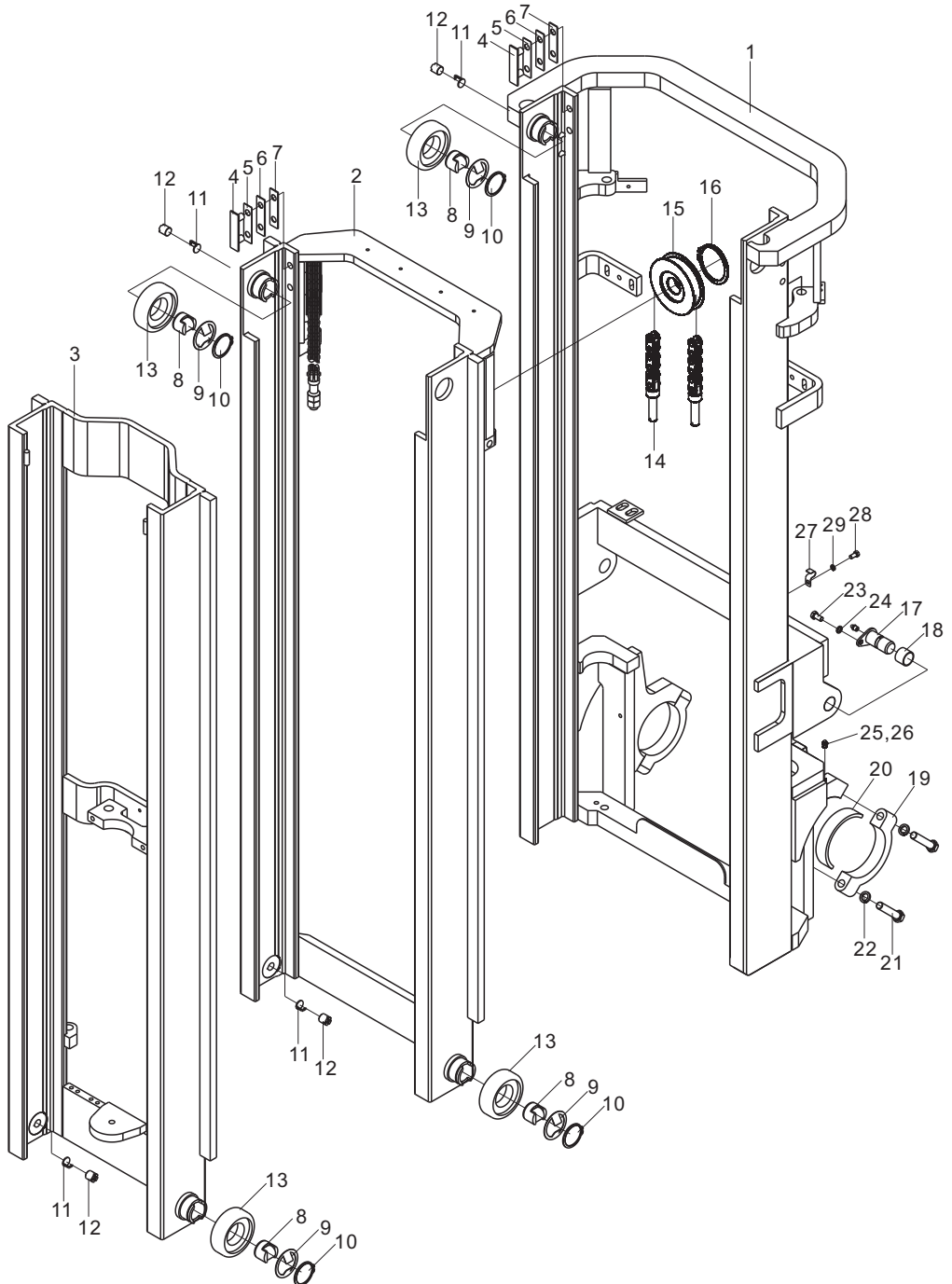
序号 Item No	编 码 Code	图 号 Part No	零部件名称 Description	数量 Q'ty	备 注 Remark
1	30082082966	LG0035D.III.10A.01	外门架焊合 Outer mast	1	
2	30082081769	LG0035D.III.10A.02	内门架焊合 Inner mast	1	
3	30080025001	LG0020D.10.03	销轴焊合 Pin shaft weldment	2	
4	52001000302	GB/T12949	滑动轴承30×34×25 Slide bearings 30×34×25	2	
5	51204091014	GB/T5783	螺栓M8×20 Bolt M8×20	2	
6	51401090107	GB/T93	垫圈8 Washer 8	2	
7	51421090115	GB/T97.1	垫圈8 Washer 8	2	
8	56201000301	JB/T7940.1	油杯M10×1 Oil cup M10×1	4	
9	60980005823	LG0030D.10-021	红色保护套 Red sheath	4	
10	51207132014	GB/T5786	螺栓M16×1.5×70 Bolt M16×1.5×70	4	
11	51401130107	GB/T93	垫圈16 Washer 16	4	
12	30082118500	LG0030D.10-005	端盖 End cover	2	
13	30082184500	LG0030D.10-006	轴衬 Bushing	2	
14	30082141002	LG0030D.10-003	滚轮 Roller	2	
15	51453420107	GB/T894.1	挡圈55 Snap ring 55	4	
16	30082081402	LG0035D.III.10.05	滚轮总成 Roller assembly	2	
17	51204111714	GB/T5783	螺栓M12×55 Bolt M12×55	4	
18	51401110107	GB/T93	垫圈12 Washer 12	8	
19	30086106401	LG0045D.10-008	垫圈 Washer	4	
20	30086118200	LG0060DT.10-008	垫片 Gasket	8	
21	30082141010	LG0025B.III.10.04	滚轮 Roller	2	
22	51204111414	GB/T5783	螺栓M12×40 Pin 12×40	4	
23	30086106400	LG0060DT.10-007	垫圈 Washer	4	
24	30082141003	LG0030D.10-004	滚轮 Roller	2	
25	30082107801	LG0030D.10-017	管夹 Clip	1	
26	51204101014	GB/T5783	螺栓M10×20 Bolt M10×20	1	
27	51401100107	GB/T93	垫圈10 Washer 10	1	
28	51421100115	GB/T97.1	垫圈10 Washer 10	1	
29	30082185100	LG0030D.10-007	滑块 Slide block	2	
30	30082154800	LG0030D.10-008	调整垫 Adjustable gasket	2	t=0.5
	30082154805	LG0030D.10-008	调整垫 Adjustable gasket	2	t=1.0
	30082154806	LG0030D.10-008	调整垫 Adjustable gasket	2	t=2.0

门架参数/Parameter(mast)

编 码 Code	起升高度 Lifting H	内门架 Inner mast	外门架 Outer mast	备 注 Remark
30082912018	2000	30082081766	30082082963	
30082912019	2500	30082081767	30082082964	
30082912020	2700	30082081768	30082082965	
30082912021	3000	30082081769	30082082966	标准
30082912022	3300	30082081770	30082082967	
30082912023	3500	30082081771	30082082968	
30082912024	3700	30082081772	30082082969	
30082912025	4000	30082081773	30082082970	
30082912026	4500	30082081774	30082082971	

门架(三级全自由) / Mast (full free 3-stage mast)

2-2. 5T通用

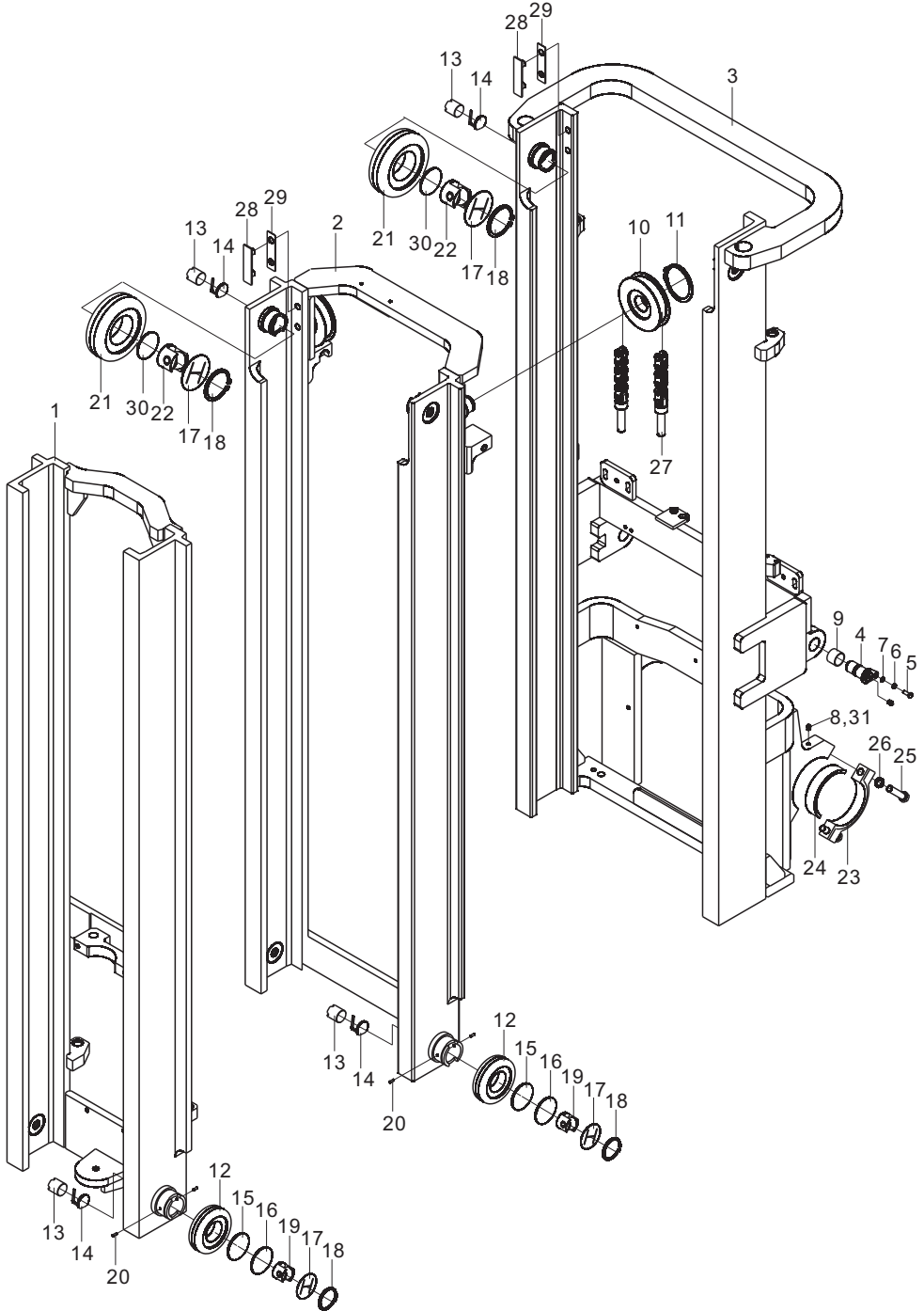


门架(三级全自由) / Mast (full free 3-stage mast)

序号 Item No	编 码 Code	图 号 Part No	零 部 件 名 称 Description	数量 Q'ty	备 注 Remark
1	30080082899	LG0020DIII.10B.01	外门架焊合 Outer mast	1	
2	30082085346	LG0025BIII.10B.02	中门架焊合 Middle mast	1	
3	30082081604	LG0025BIII.10B.03	内门架焊合 Inner mast	1	
4	30080185100	LG0018BE.10-005	滑块 Slide block	4	
5	30082154800	LG0030D.10-008	调整垫 Adjustable gasket	4	t=0.5
6	30082154805	LG0030D.10-008	调整垫 Adjustable gasket	4	t=1.0
7	30082154806	LG0030D.10-008	调整垫 Adjustable gasket	4	t=2.0
8A	30082141004	LG0030D.10.17	滚轮总成 Roller assembly	8	包含8-11项
8	30004141000	LG0030D.10.17-001	滚轮 Roller	8	
9	30080180401	LG0030D.10.16-002	防尘片 Dust sheet	8	
10	51453420107	GB/T894.1	挡圈55 Snap ring 55	8	
11	30080182801	LG0030D.10.16-003	止松片 Lock plate	8	
12	60980000833	LG0030D.10.06.01-002	螺钉M20X1.5X17 Screw M20×1.5×17	8	
13	30082141006	LG0025BIII.10-002	滚轮 Roller	8	
14	30080080204	LG0025BIII.10B.06	链条总成LH1234(183节) Chain assembly	2	
15	30082185701	LG0030D.10B.02-001	链轮 Chain wheel	2	
16	51453350107	GB/T894.1	挡圈40 Snap ring 40	4	
17	30080025001	LG0020D.10.03	销轴焊合 Pin weldment	2	
18	52001000302	GB/T12949	滑动轴承30×34×25 Shaft sleeve	2	
19	30082118500	LG0030D.10-005	端盖 End cover	2	
20	30082184500	LG0030D.10-006	轴衬 Bushing	2	
21	51207132014	GB/T5786	螺栓M16×1.5×70 Bolt M16×1.5×75	4	
22	51401130107	GB/T93	垫圈16 Washer 16	4	
23	51204101014	GB/T5783	螺栓M10×20 Bolt M10×20	2	
24	51401100107	GB/T93	垫圈10 Washer 10	2	
25	56201000301	JB/T7940.1	油杯M10×1 Oil cupM10X1	4	
26	60980005823	LG0030D.10-021	红色保护套 Clip	4	
27	30082107800	LG0030D.10-015	管夹 Bolt M8×20	2	
28	51204091014	GB/T5783	螺栓M8×20 Washer 8	2	
29	51401090107	GB/T93	垫圈8 Washer 8	2	

门架(三级全自由) / Mast (full free 3-stage mast)

3T

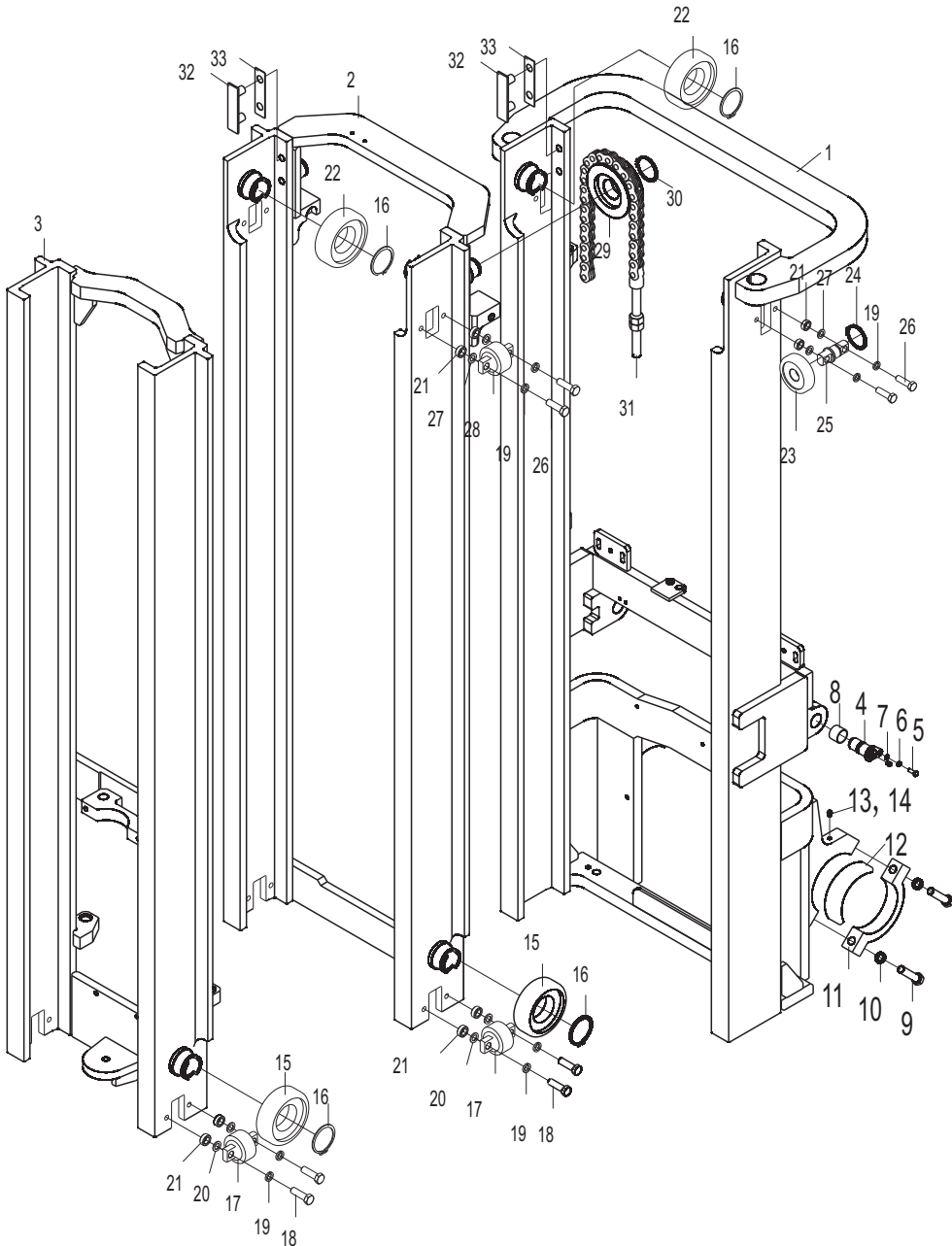


门架(三级全自由) / Mast (full free 3-stage mast)

序号 Item No	编 码 Code	图 号 Part No	零 部 件 名 称 Description	数量 Q'ty	备 注 Remark
1	30082082901	LG0030DIII.10B.01	外门架焊合 Inner mast	1	
2	30082085336	LG0030DIII.10B.02	中门架焊合 Middle mast	1	
3	30082081861	LG0030DIII.10B.03	内门架焊合 Outer mast	1	
4	30080025001	LG0020D.10.03	销轴焊合 Pin shaft weldment	2	
5	51204091014	GB/T5783	螺栓M8×20 Bolt M8×20	2	
6	51401090107	GB/T93	垫圈8 Washer 8	2	
7	51421090115	GB/T97.1	垫圈8 Washer 8	2	
8	56201000301	JB/T7940.1	油杯M10×1 Oil cup M10×1	4	
9	52001000302	GB/T12949	滑动轴承30×34×25 Slide bearing 30X34X25	2	
10	30082185701	LG0030D.10B.02-001	链轮 Chain wheel	2	
11	51453350107	GB/T894.1	挡圈40 Snap ring 40	4	
12	30082141002	LG0030D.10-003	滚轮 Roller	8	
13	60980000833	LG0030D.10.06.01-002	螺钉M20X1.5X17 Screw M20×1.5×17	8	
14A	30082081401	LG0030DIII.10.02	滚轮总成 Roller assembly	4	包含14-20项
14	30080182801	LG0030D.10.16-003	止松片 Stop ring	8	
15	30082154813	LG0030DIII.10.02-001	调整垫 Adjustment gasket	4	
16	30082113902	LG0030DIII.10.02-002	橡胶垫 Rubber gasket	4	
17	30080180401	LG0030D.10.16-002	防尘片 Dust ring	8	
18	51453420107	GB/T894.1	挡圈55 Snap ring 55	8	
19	30082141005	LG0030DIII.10.02-003	滚轮 Roller	4	
20	51517092302	GB/T119.2	销5×10 Pin 5×10	8	
21	30082141003	LG0030D.10-004	滚轮 Roller	4	
22A	30082141004	LG0030D.10.17	滚轮总成 Roller assembly	4	含14, 17, 18, 22
22	30004141000	LG0030D.10.17-001	滚轮 Roller	4	
23	30082118500	LG0030D.10-005	端盖 End cover	2	
24	30082184500	LG0030D.10-006	轴衬 Bushing	2	
25	51207132014	GB/T5786	螺栓M16×1.5×70 Bolt M16×1.5×70	4	
26	51401130107	GB/T93	垫圈16 Washer 16	4	
27	30082080321	LG0030D.10B.02.04	链条总成LH1623 Chain assembly	2	
28	30082185100	LG0030D.10-007	滑块 Slide block	4	
29	30082154800	LG0030D.10-008	调整垫 Adjustment gasket	4	t=0.5
	30082154805	LG0030D.10-008	调整垫 Adjustment gasket	4	t=1.0
	30082154806	LG0030D.10-008	调整垫 Adjustment gasket	4	t=2.0
30	30082113903	LG0030D.10-020	橡胶垫 Rubber gasket	4	
31	60980005823	LG0030D.10-021	红色保护套 Red sheath	4	

门架(三级全自由) / Mast (full free 3-stage mast)

3. 5T

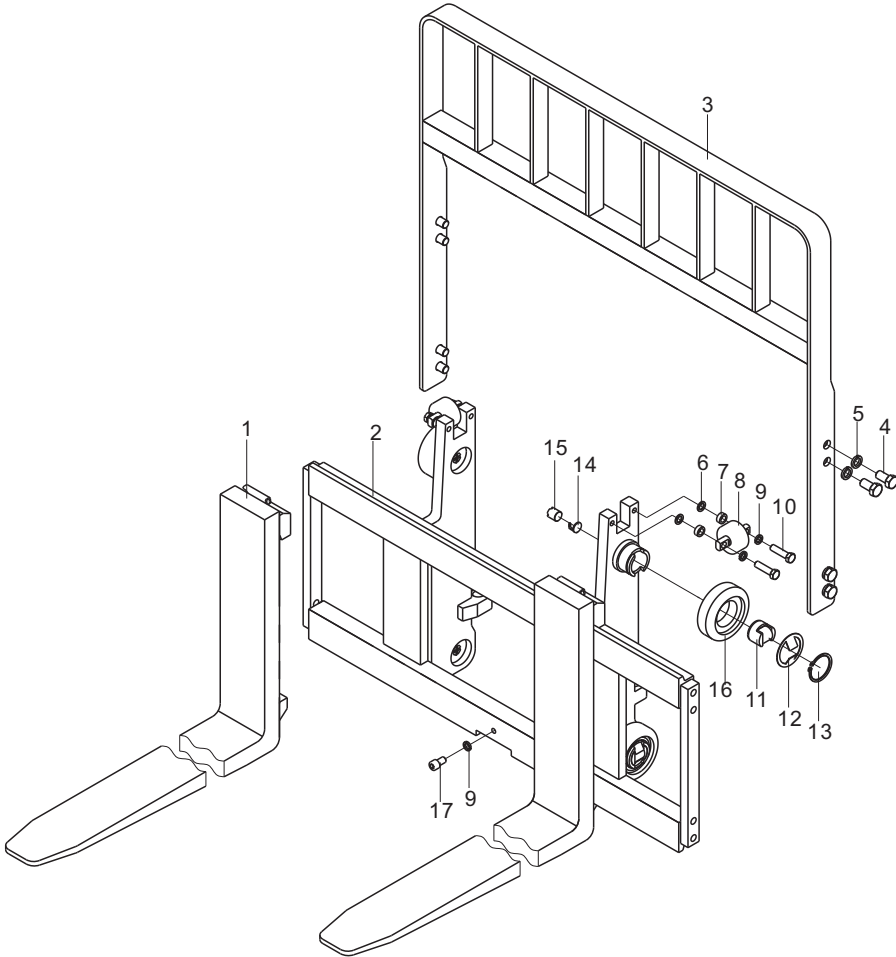


门架(三级全自由) / Mast (full free 3-stage mast)

序号 Item No	编 码 Code	图 号 Part No	零 部 件 名 称 Description	数量 Q'ty	备 注 Remark
1	30082083101	LG0035DIII.10B.01	外门架焊合 Outer mast	1	
2	30082085368	LG0035D.10BI.02	中门架焊合 Middle mast	1	
3	30082081632	LG0035D.10BI.03	内门架焊合 Inner mast	1	
4	30080025001	LG0020D.10.03	销轴焊合 Pin shaft weldment	4	
5	51204091014	GB/T5783	螺栓M8×20 Bolt M8×20	4	
6	51401090107	GB/T93	垫圈8 Washer 8	4	
7	51421090115	GB/T97.1	垫圈8 Washer 8	4	
8	52001000302	GB/T12949	滑动轴承30×34×25 Slide bearing 30X34X25	2	
9	51207132014	GB/T5786	螺栓M16×1.5×70 Bolt M16×1.5×70	4	
10	51401130107	GB/T93	垫圈16 Washer 16	4	
11	30082118500	LG0030D.10-005	端盖 End cover	2	
12	30082184500	LG0030D.10-006	轴衬 Bushing	2	
13	56201000301	JB/T7940.1	油杯M10×1 Oil cup M10×1	4	
14	60980005823	LG0030D.10-021	红色保护套 Red sheath	4	
15	30082141002	LG0030D.10-003	滚轮 Roller	4	
16	51453420107	GB/T894.1	挡圈55 Snap ring 55	8	
17	30082081402	LG0035DIII.10.05	滚轮总成 Roller assembly	4	
18	51204111514	GB/T5783	螺栓M12×45 Bolt M12×45	8	
19	51401110107	GB/T93	垫圈12 Washer 12	16	
20	30086106401	LG0045D.10-008	垫圈 Washer	8	
21	30086118200	LG0060DT.10-008	垫片 Gasket	16	
22	30082141003	LG0030D.10-004	滚轮 Roller	4	
23A	30086081403	LG0040D.10I.05	滚轮总成 Roller assembly	2	包含23-25项
23	30082141000	LG0035DIII.10.07-001	滚轮 Roller	2	
24	51453240107	GB/T894.1	挡圈25 Snap ring 25	2	
25	30086180705	LG0040D.10I.05-001	滚轮轴 Roller shaft	2	
26	51204111414	GB/T5783	螺栓M12×40 Bolt M12×40	8	
27	30086106400	LG0060DT.10-007	垫圈 Washer	8	
28	30082141010	LG0025BIII.10.04	滚轮 Roller	2	
29	30082185702	LG0035D.10-003	链轮 Chain wheel	2	
30	51453370107	GB/T894.1	挡圈45 Snap ring 25	2	
31	30082080403	LG0040D.10BI.06	链条总成LH1634 Chain assembly	2	
32	30082185100	LG0030D.10-007	滑块 Slide block	4	
33	30082154800	LG0030D.10-008	调整垫 Adjustment gasket	4	t=0.5
	30082154805	LG0030D.10-008	调整垫 Adjustment gasket	4	t=1.0
	30082154806	LG0030D.10-008	调整垫 Adjustment gasket	4	t=2.0

货叉及货叉架/Fork & fork carrier

2-2. 5T通用



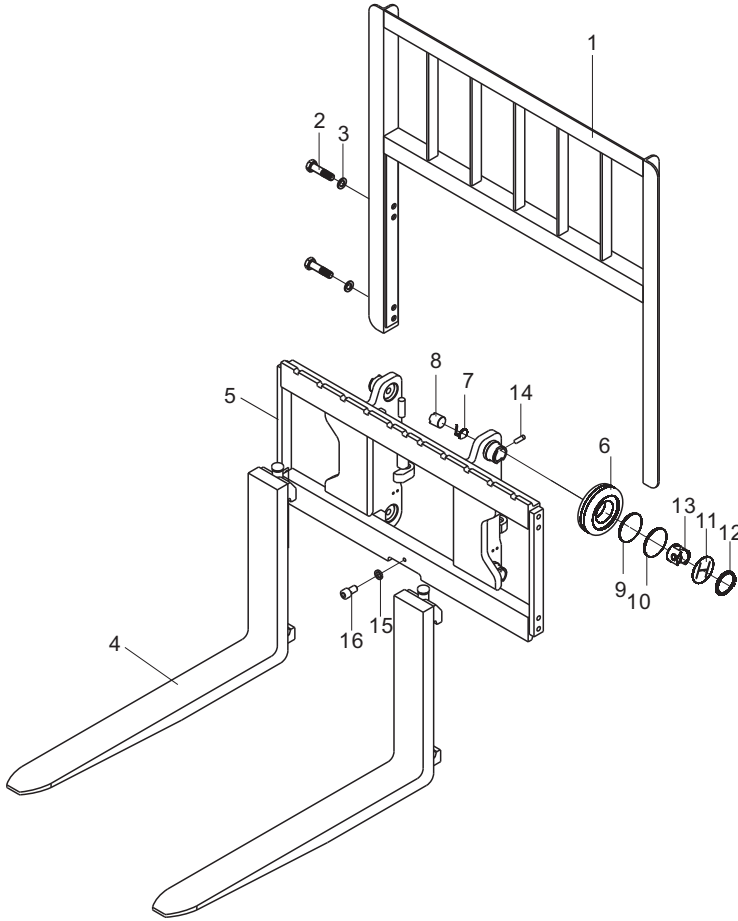
序号 Item No	2-2. 5T货叉编码 Code, fork(2-2.5T)	2-2. 5T货叉规格 Model, fork(2-2.5T)	备注 Remark
1	30082081200	920×120×40	
2	30082081201	1070×120×40	标准
3	30082081202	1220×120×40	
4	30082081203	1370×120×40	
5	30082081204	1520×120×40	
6	30082081205	1670×120×40	
7	30082081206	1820×120×40	
8	30082081207	1900×120×40	

货叉及货叉架/Fork & fork carrier

序号 Item No	编 码 Code	图 号 Part No	零 部 件 名 称 Description	数 量 Q'ty	备 注 Remark
1	30082081200	LG0025D.10.03	货叉总成 Fork assembly	2	
2	30080081010	LG0020DⅢ.10.02	货叉架焊合 Fork carrier weldment	1	标准
	30080081000	LG0020DⅢ.10A.03	货叉架焊合 Fork carrier weldment	1	二级全自由
	30080081012	LG0020DⅢ.10B.03	货叉架焊合 Fork carrier weldment	1	三级全自由
3	30082083500	LG0025D.10.02	挡货架焊合 Load retainer	1	
4	51207121214	GB/T5783	螺栓M14×1.5×30 Bolt M14×1.5×30	8	
5	51401130107	GB/T93	垫圈14 Washer 14	8	
6	30082141010	LG0025BⅢ.10.04	滚轮 Washer	2	
7	51204111614	GB/T5783	螺栓M12×50 Adjustment gasket	4	
8	51401110107	GB/T93	垫圈12 Roller	5	
9	30086106400	LG0060DT.10-007	垫圈 Washer 12	4	
10	30086118200	LG0060DT.10-008	垫片 Bolt M12×50	4	
11A	30082141004	LG0030D.10.17	滚轮总成 Roller assembly	4	包含11-14项
11	30004141000	LG0030D.10.17-001	滚轮 Roller	4	
12	30080180401	LG0030D.10.16-002	防尘片 Dust ring	4	
13	51453420107	GB/T894.1	挡圈55 Snap ring 55	4	
14	30080182801	LG0030D.10.16-003	止松片 Stop ring	4	
15	60980000833	LG0030D.10.06.01-002	螺钉M20X1.5X17 Screw M20×1.5×17	4	
16	30082141006	LG0025BⅢ.10-002	滚轮 Roller	4	
17	51139230205	GB/T70.1	螺钉M12×25 Screw M12×25	1	

货叉及货叉架/Fork & fork carrier

3T



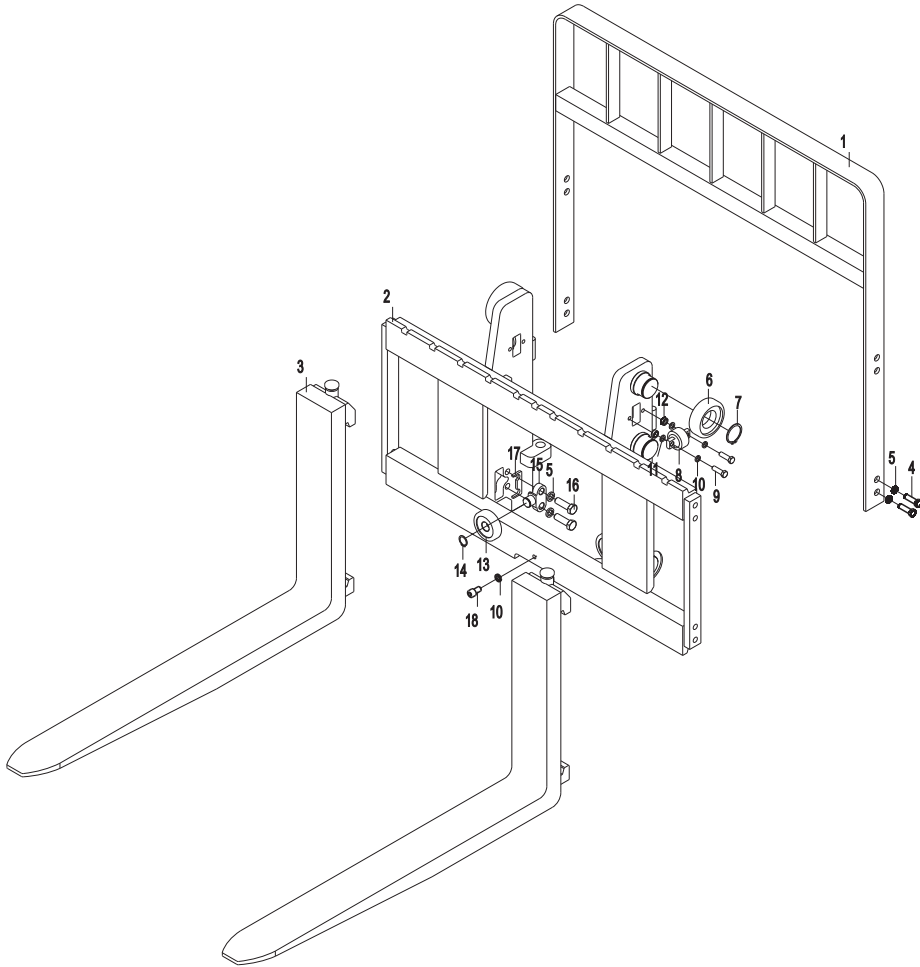
序号 Item No	3T货叉编码 Code, fork(2-2.5T)	3T货叉规格 Model, fork(2-2.5T)	备注 Remark
1	30082081208	1070×125×45	标准
2	30082081209	1220×125×45	
3	30082081210	1370×125×45	
4	30082081211	1520×125×45	
5	30082081212	1670×125×45	
6	30082081213	1820×125×45	
7	30082081214	1900×125×45	
8	30082081215	2000×125×45	

货叉及货叉架/Fork & fork carrier

序号 Item No	编 码 Code	图 号 Part No	零部件名称 Description	数量 Q'ty	备 注 Remark
1	30082083503	LG0030D III.10.09	挡货架焊合 Load retainer weldment	1	
2	51207121214	GB/T5786	螺栓M14×1.5×30 Bolt M14×1.5×30	8	
3	51401130107	GB/T93	垫圈14 Washer 14	8	
4	30082081208	LG0030D.10.03	货叉总成 Fork Assembly	2	
5	30082081010	LG0030D III.10B.04	货叉架焊合 Fork carrier weldment	1	三级全自由
	30082081008	LG0030D III.10.04	货叉架焊合 Fork carrier weldment	1	标准
	30082081009	LG0030D III.10A.02.03	货叉架焊合 Fork carrier weldment	1	二级全自由
6	30082141002	LG0030D.10-003	滚轮 Roller	4	包含8-14项
7	60980000833	LG0030D.10.06.01-002	螺钉M20X1.5X17 Screw M20×1.5×17	4	
8A	30082081401	LG0030D III.10.02	滚轮总成 Roller assembly	4	
8	30080182801	LG0030D.10.16-003	止松片 Stop ring	4	
9	30082154813	LG0030D III.10.02-001	调整垫 Adjustment gasket	4	
10	30082113902	LG0030D III.10.02-002	橡胶垫 Rubber gasket	4	
11	30080180401	LG0030D.10.16-002	防尘片 Dust ring	4	
12	51453420107	GB/T894.1	挡圈55 Snap ring 55	4	
13	30082141005	LG0030D III.10.02-003	滚轮 Roller	4	
14	51517092302	GB/T119.2	销5×10 Pin 5×10	8	
15	51401110107	GB/T93	垫圈12 Washer 12	1	
16	51139230205	GB/T70.1	螺钉M12×25 Screw M12×25	1	

货叉及货叉架/Fork & fork carrier

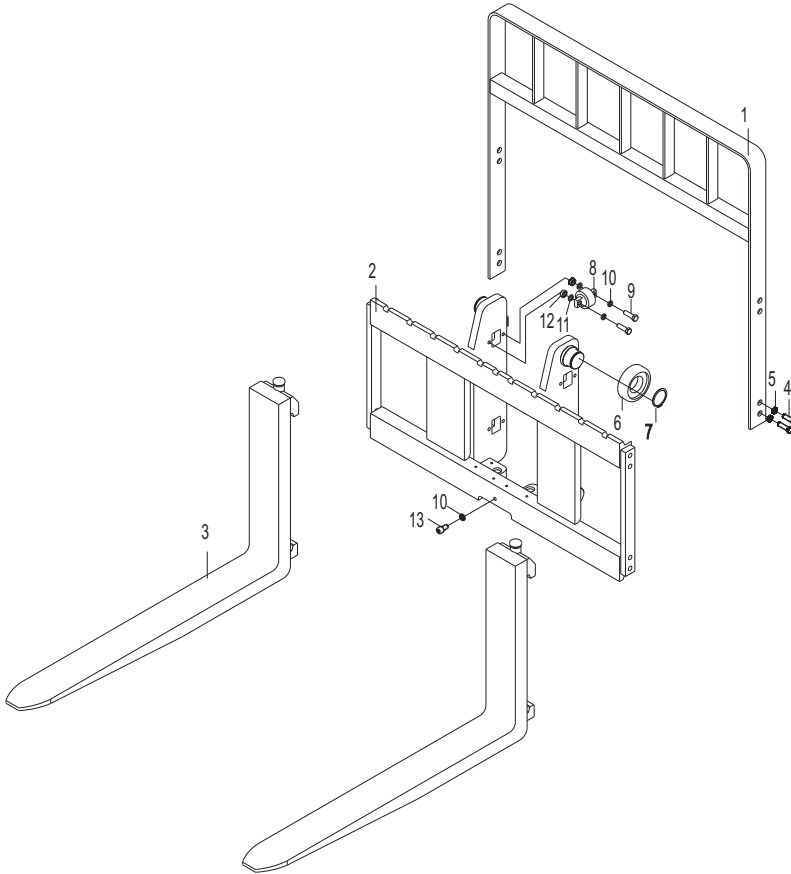
3.5T标准/二级全自由



序号 Item No	货叉编码 Code, fork	货叉规格 Model, fork	备注 Remark
1	30082081216	1070×125×50	标准
2	30082081217	1220×125×50	
3	30082081218	1370×125×50	
4	30082081219	1520×125×50	
5	30082081220	1670×125×50	
6	30082081221	1820×125×50	
7	30082081222	1900×125×50	
8	30082081223	2000×125×50	

货叉及货叉架/Fork & fork carrier

3.5T三级全自由



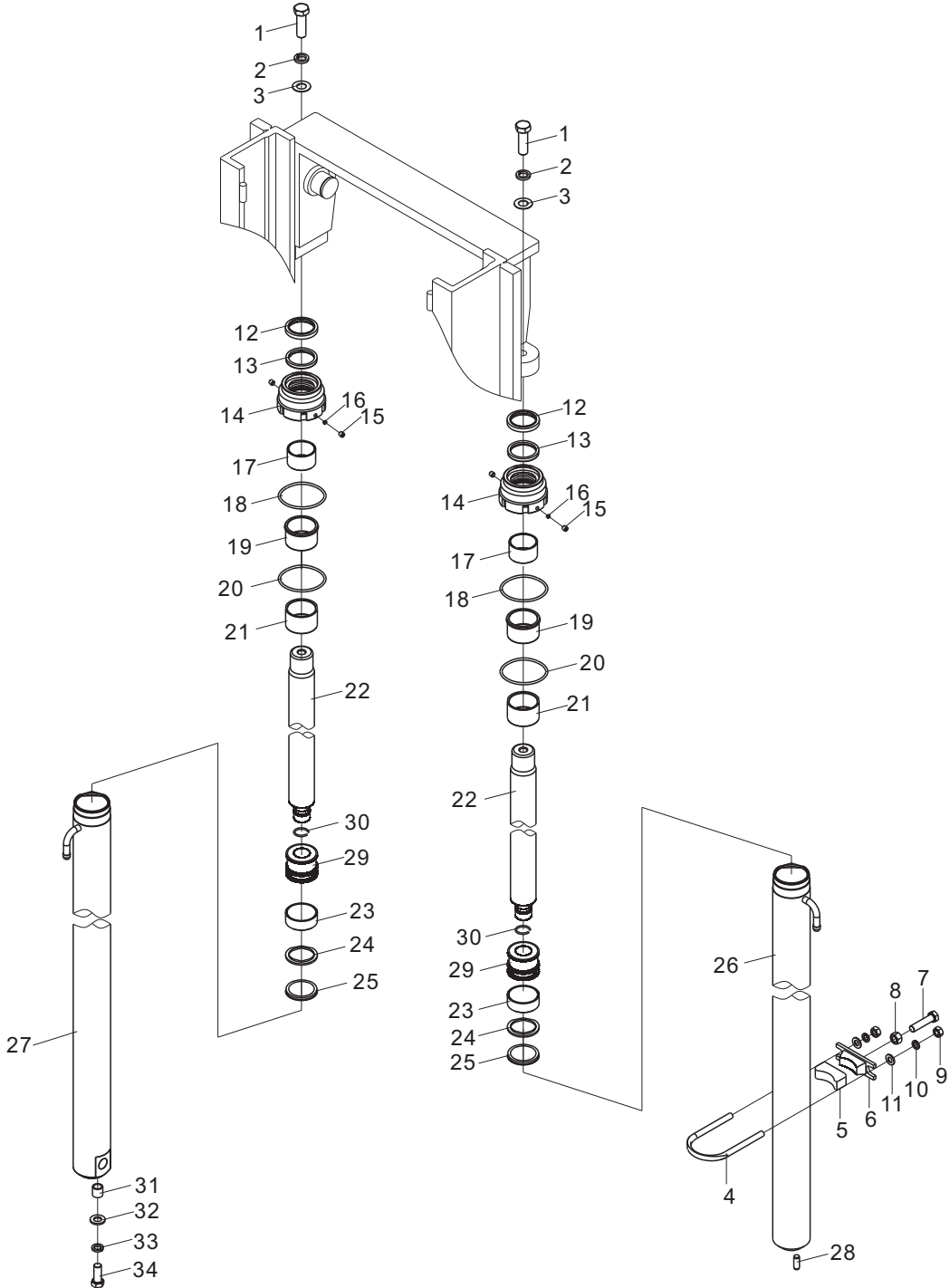
序号 Item No	货叉编码 Code, fork	货叉规格 Model, fork	备注 Remark
1	30082081216	1070×125×50	标准
2	30082081217	1220×125×50	
3	30082081218	1370×125×50	
4	30082081219	1520×125×50	
5	30082081220	1670×125×50	
6	30082081221	1820×125×50	
7	30082081222	1900×125×50	
8	30082081223	2000×125×50	

货叉及货叉架/Fork & fork carrier

序号 Item No	编 码 Code	图 号 Part No	零 部 件 名 称 Description	数量 Q'ty	备 注 Remark
1	30082083501	LG0030D.10.02	挡货架焊合 Load backrest weldment	1	
2	30082081060	LG0035D.10BI.04	货叉架焊合 Fork carrier weldment	1	
3	30082081216	LG0035D.10.02	货叉总成 Fork assembly	2	
4	51207121214	GB/T5786	螺栓M14×1.5×30 Bolt M14×1.5×30	8	
5	51401130107	GB/T93	垫圈14 Washer 14	8	
6	30082141002	LG0030D.10-003	滚轮 Roller	4	
7	51453420107	GB/T894.1	挡圈55 Snap ring 55	4	
8	30082081402	LG0035DIII.10.05	滚轮总成 Roller assembly	4	
9	51204111714	GB/T5783	螺栓M12×55 Bolt M12×55	8	
10	51401110107	GB/T93	垫圈12 Washer 12	9	
11	30086106401	LG0045D.10-008	垫圈 Washer	8	
12	30086118200	LG0060DT.10-008	垫片 Gasket	8	
13	51139230205	GB/T70.1	螺钉M12×25 Screw M12×25	1	

起升油缸(基本型) / Lift cylinder (normal mast)

2-2.5T通用



起升油缸(基本型) / Lift cylinder (normal mast)

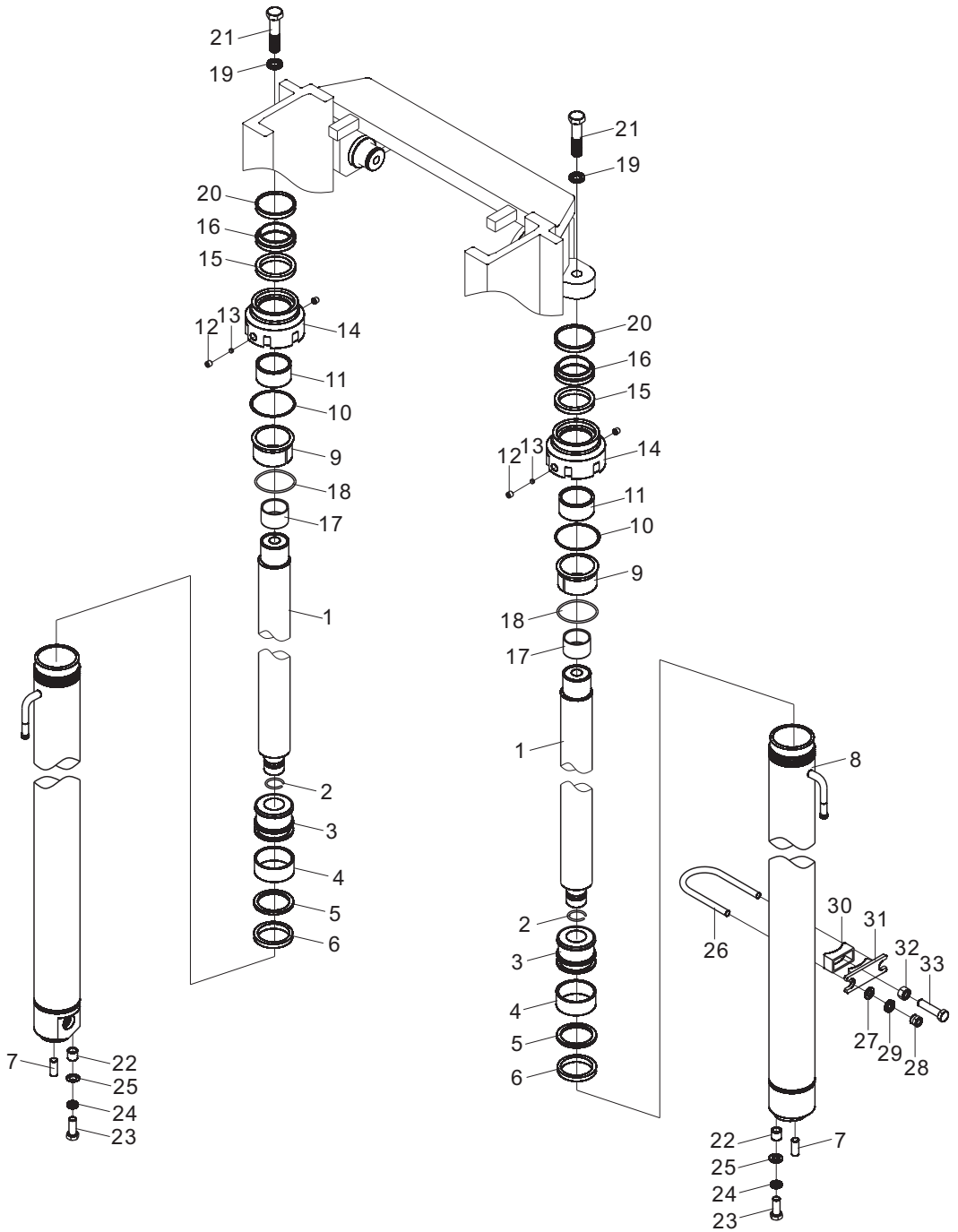
序号 Item No	编 码 Code	图 号 Part No	零 部 件 名 称 Description	数量 Q'ty	备 注 Remark
A	16600013740	LG0025D.10.07	右起升缸 Right lift cylinder	1	高度3000
B	16600013730	LG0025D.10.09	左起升缸 Left lift cylinder	1	高度3000
1	51204133714	GB/T5783	螺栓M16X40 Bolt M16×40	2	
2	51401130107	GB/T93	垫圈16 Washer 16	2	
3	30082154801	LG0030D.10-010	调整垫 Adjustable gasket	2	
4	30082109601	LG0030D.10-011	卡箍 Clamp	2	
5	30082185000	LG0030D.10-012	箍座 Clamp seat	2	
6	30082113900	LG0030D.10-013	橡胶垫 Rubber gasket	2	
7	51207115614	GB/T5786	螺栓M12X1.25X50 Bolt M12×1.25×50	2	
8	51309000519	GB/T6171	螺母M12X1.25 Nut M12×1.25	2	
9	51309000319	GB/T6171	螺母M10X1.25 Nut M10×1.25	4	
10	51401100107	GB/T93	垫圈10 Washer 10	4	
11	51421100115	GB/T97.1	垫圈10 Washer 10	4	
12	56193000301		防尘圈40X52X7 Dust ring 40×52×7	2	
13	56187000601		轴用密封圈40X50X7 Seal ring 40×50×7	2	
14	36600032010	LGG020SP300H-01	缸盖 Cylinder cover	2	
15	51106211007	GB/T77	螺钉M8X8 Screw M8×8	4	
16	36600321010	LGG030SP300H-02	锁紧垫 Lock gasket	4	
17	52500000201		钢背轴承40X44X30 Steeled -backed bearing	2	
18	56194002001	EKM	O形圈57X3 O-ring 57×3	2	
19	36600371010	LGG020SP300H-02	支撑套 Supporting sheath	2	
20	56145077904	GB/T3452.1	O形圈40X1.8 O-ring 40×1.8	2	高度≥4000时用
21	36600071010	LGG020SP400H-05	间隔套 Spacer	2	4000≤高度≤5000
	36600071020	LGG020SP550H-05	间隔套 Spacer	2	高度≥5500时用
22	36600041040	LGG020SP300H-03	活塞杆 Piston rod	2	
23	56199008101		支承环45X50X20 Pivot ring 45×50×20	2	
24	56192014901		挡圈40X50X3 Snap ring 40×50×3	2	
25	56191003701		活塞密封圈50X40X7 Seal ring 50×40×7	2	
26	36600012040	LGG020SP300LH.01	左缸体 Left cylinder body	1	高度3000
27	36600013040	LGG020SP300RH.01	右缸体 Right cylinder body	1	高度3000
28	51513131502	GB/T119.1	圆柱销6X26 Pin 6×26	2	
29	36600021010	LGG020SP300H-04	活塞 Piston	2	
30	51466240119	GB/T895.1	挡圈25 Snap ring 25	2	
31	30082135101	LG0030D.10-009	轴套 Bushing	2	
32	51421110115	GB/T97.1	垫圈12 Washer 12	2	
33	51401110107	GB/T93	垫圈12 Washer 12	2	
34	51207115214	GB/T5786	螺栓M12X1.25X30 Bolt M12×1.25×30	2	

起升油缸参数/Lift cylinder parameter

起升高度 Lifting height	左缸编码 Cylinder code(L)	右缸编码 Cylinder code(R)	左缸体 Left cylinder body	右缸体 Right cylinder body	活塞杆 Rod,piston	备注 Remark
2000	16600013670	16600013680	36600012010	36600013010	36600041010	
2500	16600013690	16600013700	36600012020	36600013020	36600041020	
2750	16600400750	16600400760	36600018000	36600018020	36600047200	
3000	16600013730	16600013740	36600012040	36600013040	36600041040	标准
3300	16600013750	16600013760	36600012050	36600013050	36600041050	
3500	16600013770	16600013780	36600012060	36600013060	36600041060	
3750	16600400770	16600400780	36600018010	36600018030	36600047210	
4000	16600013990	16600013820	36600012080	36600013080	36600041080	
4250	16600400330	16600400340	36600012090	36600013090	36600041090	
4500	16600013830	16600013840	36600012100	36600013100	36600041100	
4750	16600013850	16600013860	36600012110	36600013110	36600041110	
5000	16600013880	16600013870	36600012120	36600013120	36600041120	
5500	16600013890	16600013900	36600012130	36600013130	36600041130	
6000	16600400310	16600400320	36600012140	36600013140	36600041140	

起升油缸(基本型) / Lift cylinder (normal mast)

3T



起升油缸(基本型) / Lift cylinder (normal mast)

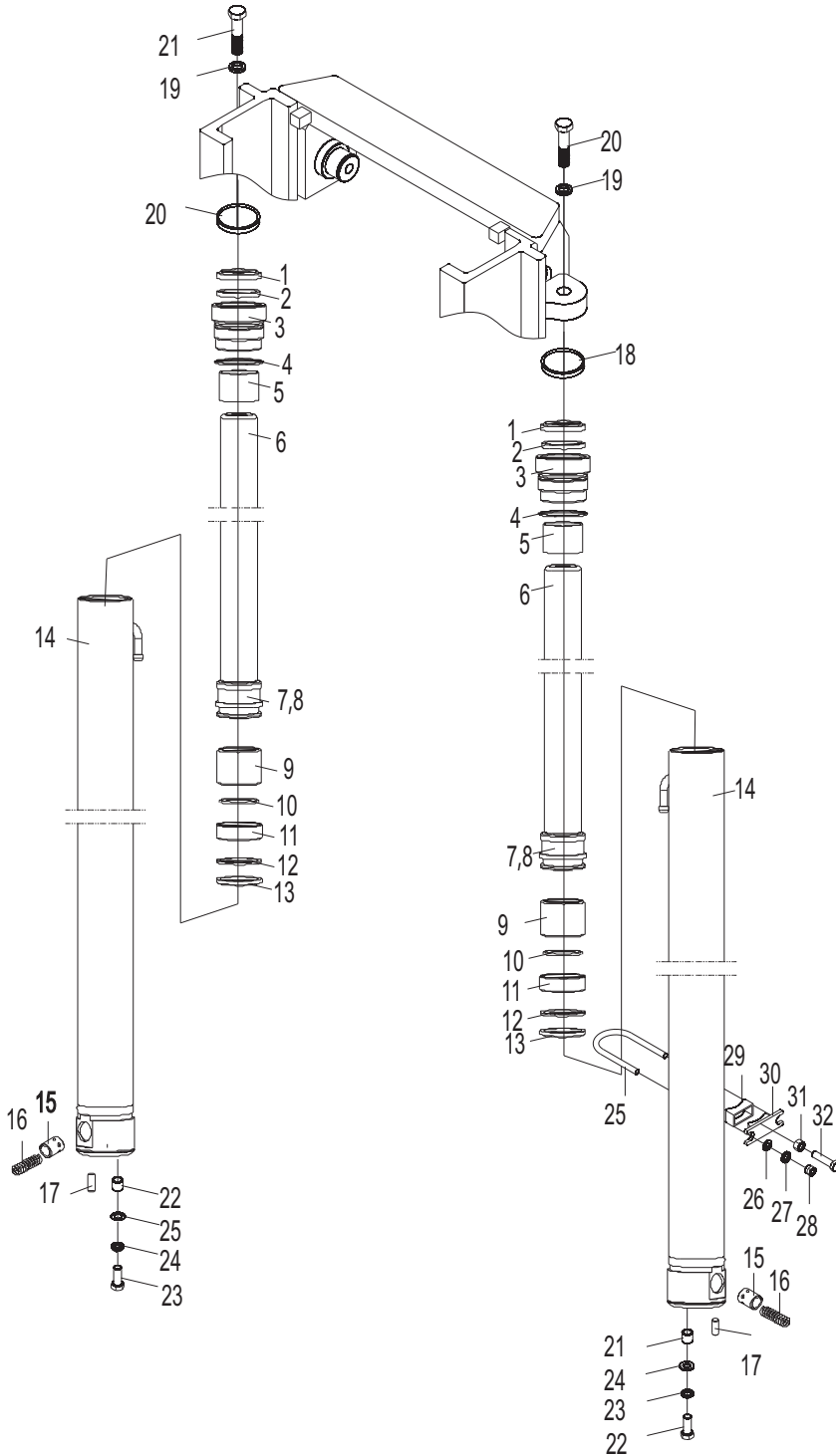
序号 Item No	编 码 Code	图 号 Part No	零 部 件 名 称 Description	数量 Q'ty	备 注 Remark
A	16600401100	LG0030D.10.11	起升油缸 Lift cylinder	2	高度3000
1	36600041200	LGG030SP300H-04	活塞杆 Piston rod	2	
2	51466240119	GB/T895.1	挡圈25 Snap ring 25	2	
3	36600021030	LGG030SP300H-05	活塞 Piston	2	
4	56199008201		支承环51X56X20 Pivot ring 51×56×20	2	
5	56192015101		挡圈45X56X3 Snap ring 45×56×3	2	
6	56191003901		活塞密封圈56X45X8 Seal ring 56×45×8	2	
7	51513131502	GB/T119.1	圆柱销10X26 Cylindrical pin 10×26	2	
8	36600012950	LGG030SP300H.01	缸体 Cylinder body	2	
9	36600371020	LGG030SP300H-03	支撑套 Support sheath	2	
10	56900009202	AS568	O形圈63.17X2.62 O-ring 63.17×2.62	2	
11	52500002801		钢背轴承45X50X30 Steel-backed bearing	2	
12	51106211007	GB/T77	螺钉M8X8 Screw M8×8	4	
13	36600321010	LGG030SP300H-02	锁紧垫Φ6X3 Lock gasket Φ6×3	4	
14	36600032020	LGG030SP300H-01	缸盖 Cylinder cover	2	
15	56187010501		轴用密封圈45X55X7 Seal ring 45×55×7	2	
16	56185000401		防尘圈45X53X6 Dust ring 45×53×6	2	
17	36600071040	LGG030SP400H-07	间隔套 Spacer	2	4000≤高度≤5000
	36600071050	LGG030SP550H-07	间隔套 Spacer	2	高度≥5500时用
18	56145011401	GB/T3452.1	O形圈43.7X2.65 O-ring 43.7×2.65	2	高度≥4000时用
19	51401130107	GB/T93	垫圈16 Washer 16	2	
20	30082154801	LG0030D.10-010	调整垫 Adjustable gasket	2	
21	51204133714	GB/T5783	螺栓M16X40 Bolt M16×40	2	
22	30082135101	LG0030D.10-009	轴套 Sleeve	2	
23	51207115314	GB/T5786	螺栓M12X1.25X35 Bolt M12×1.25×35	2	
24	51421110115	GB/T97.1	垫圈12 Washer 12	2	
25	51401110107	GB/T93	垫圈12 Washer 12	2	
26	30082109601	LG0030D.10-011	卡箍 Clamp	2	
27	51421100115	GB/T97.1	垫圈10 Washer 10	4	
28	51309000319	GB/T6171	螺母M10X1.25 Nut M10×1.25	4	
29	51401100107	GB/T93	垫圈10 Washer 10	4	
30	30082185000	LG0030D.10-012	箍座 Clamp seat	2	
31	30082113900	LG0030D.10-013	橡胶垫 Rubber gasket	2	
32	51207115614	GB/T5786	螺栓M12X1.25X50 Bolt M12×1.25×50	2	
33	51309000519	GB/T6171	螺母M12X1.25 Nut M12×1.25	2	

起升油缸参数/Lift cylinder parameter

编码 Code	起升高度 Lifting height	活塞杆 Postion rod	缸体 Cylinder body	备注 Remark
16600401020	1820	36600041160	36600012910	
16600401040	2000	36600041170	36600012920	
16600401060	2500	36600041180	36600012930	
16600401080	2700	36600041190	36600012940	
16600401770	2750	36600047170	36600017980	
16600401100	3000	36600041200	36600012950	标准
16600401120	3300	36600041210	36600012960	
16600401140	3500	36600041220	36600012970	
16600401160	3700	36600041230	36600012980	
16600401780	3750	36600047180	36600017990	
16600401180	3800	36600041240	36600012990	
16600401200	4000	36600041250	36600013000	
16600401220	4250	36600041260	36600013770	
16600015860	4500	36600041270	36600013780	
16600015880	4750	36600041280	36600013790	
16600015900	5000	36600041290	36600013800	
16600015920	5500	36600041300	36600013810	
16600015940	6000	36600041310	36600013820	

起升油缸(基本型) / Lift cylinder (normal mast)

3.5T

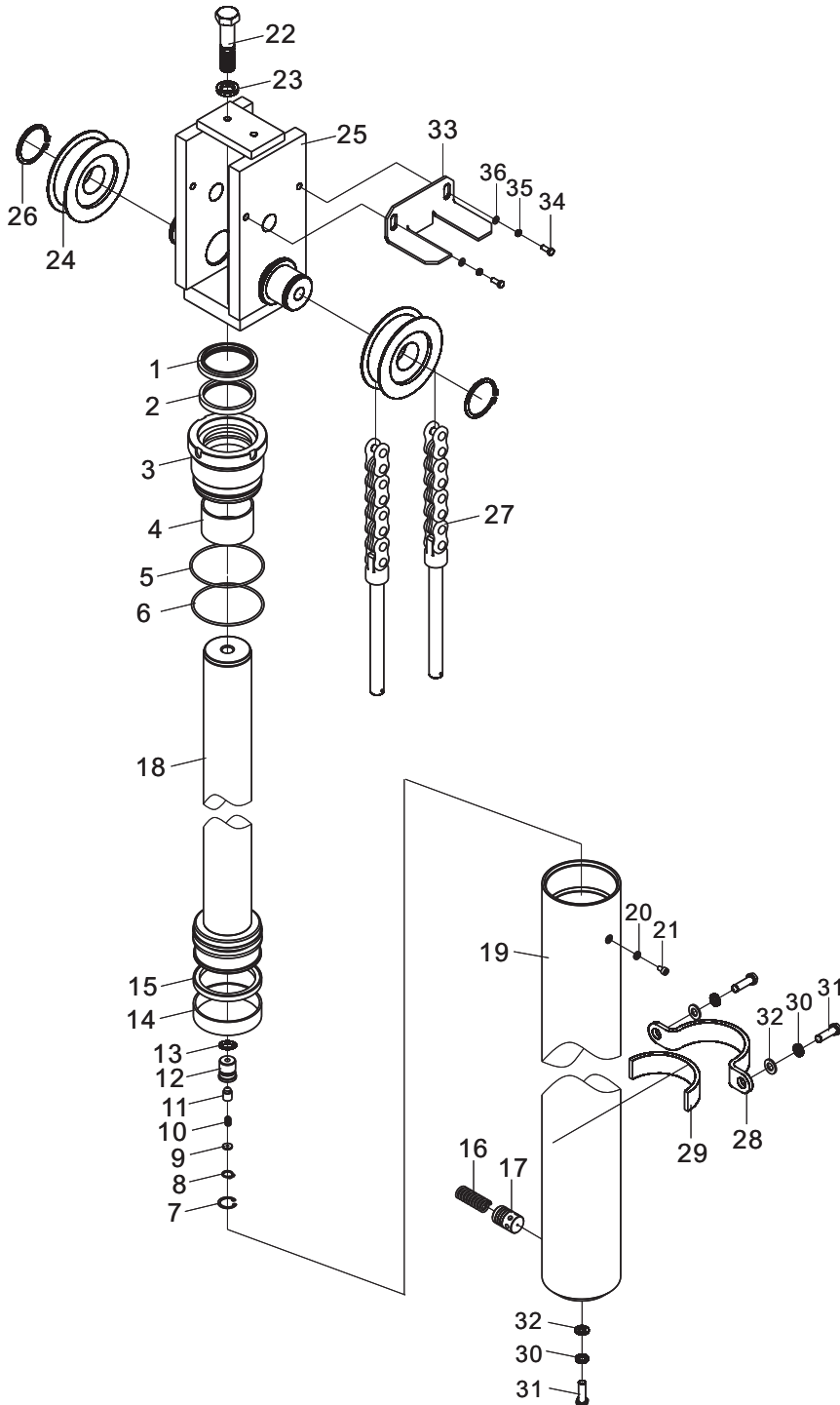


起升油缸(基本型) / Lift cylinder (normal mast)

序号 Item No	编 码 Code	图 号 Part No	零部件名称 Description	数量 Q'ty	备 注 Remark
A	16600022910	LGG035SP300B-LH	左起升油缸 Left lift cylinder	1	
B	16600022920	LGG035SP300B-RH	右起升油缸 Right lift cylinder	1	
1	56193000501		防尘圈50×62×7 Dust ring 50X62X7	2	
2	56187006601		轴用密封圈50×60×7 Seal ring 50X60X7	2	
3	36600021030	LGG035SP300B-LH-01	导向套 Guide sleeve	2	
4	56900009202	AS568	O形圈63.17×2.620 O-ring 63.17X2.62	2	
5	52500003101		钢背轴承50×55×40 Steel -backed bearing	2	
6	36600041510	LGG035SP300LH-04	活塞杆 Piston rod	2	
7	36600021120	LGG035SP300LH-06	活塞 Piston	2	
8	51466070219	GB/T895.1	挡圈30 Snap ring 30	2	
9	36600071120	LGG035SP300LH-05	间隔套 Spacer	2	
10	56194010701	EKM	O形圈50×3 O-ring 50X3	2	
11	56199008901		支承环58×63×20 Pivot ring 58X63X20	2	
12	56192015401		挡圈53×63×3 Snap ring 53X63X3	2	
13	56191004001		活塞密封圈63×53×7 Seal ring 63X53X7	2	
14	36600017871	LGG035SP300B-LH.01	左缸体 Left cylinder	2	
	36600017881	LGG035SP300B-RH.01	右缸体 Right cylinder	2	
15	36600330010	LGG035SP300RH-07	滑阀 Sliding valve	1	右缸
16	36600191010	LGG035SP300RH-08	弹簧 Spring	1	右缸
17	51513131502	GB/T119.1	圆柱销 Cylindrical pin	2	
18	30082154804	LG0035D.10-001	调整垫 Adjustable gasket	2	
19	51401150107	GB/T93	垫圈20 Washer 20	2	
20	51204151514	GB/T5783	螺栓M20×45 Bolt M20X45	2	
21	30082135101	LG0030D.10-009	轴套 Bushing	2	
22	51207115314	GB/T5786	螺栓M12×1.25×35 Bolt M12X1.25X35	2	
23	51401110107	GB/T93	垫圈12 Washer 12	2	
24	51421110115	GB/T97.1	垫圈12 Washer 12	2	
25	30082109603	LG0035D III.10-002	卡箍 Clamp	2	
26	51401100107	GB/T93	垫圈10 Washer 10	4	
27	51421100115	GB/T97.1	垫圈10 Washer 10	4	
28	51309000319	GB/T6171	螺母M10×1.25 Nut M10X1.25	4	
29	30082185000	LG0030D.10-012	箍座 Clamp seat	2	
30	30082113900	LG0030D.10-013	橡胶垫 Rubber gasket	2	
31	51309000519	GB/T6171	螺母M12×1.25 Bolt M12X1.25X50	2	
32	51207115614	GB/T5786	螺栓M12×1.25×50 Nut M12X1.25	2	

前起升油缸(二级全自由) / Front lift cylinder (full free 2-stage mast)

2-3T



前起升油缸(二级全自由) / Front lift cylinder (full free 2-stage mast)

序号 Item No	编 码 Code	图 号 Part No	零 部 件 名 称 Description	数量 Q'ty	备 注 Remark
A	16600406010	LG0030D.10A.02.02	前起升缸 Front lift cylinder	1	
1	56193000701		防尘圈60X74X8 Dust ring 60×74×8	1	
2	56187020201		轴用密封圈60X70X9 Seal ring 60×70×9	1	
3	36600031140	LGG030SL300FH-01	导向套 Guide? sleeve	1	
4	52500000601		钢背轴承60X65X40 Steel- backed bearing	1	
5	56194002101	EKM	O形圈86X3 O-ring 86×3	1	
6	56908002204	JISB2401	O形圈79.4X3.1 O-ring 79.4×3.1	1	
7	51451220107	GB/T893.1	挡圈22 Snap?ring?22	1	
8	51451120107	GB/T893.1	挡圈12 Snap?ring?12	1	
9	36600351010	LGG030SL300FH-06	单向阀挡环 One way valve collar	1	
10	36600194010	LGG030SL300FH-05	单向阀弹簧 One way valve spring	1	
11	36600341010	LGG030SL300FH-04	单向阀阀芯 One way valve valve core	1	
12	36600203010	LGG030SL300FH-03	单向阀阀体 One way valve body	1	
13	56908008004	JISB2401	O形圈15.8X2.4 O-ring 15.8×2.4	1	
14	56199009501		支承环80X85X20 Pivot ring 80×85×20	1	
15	56189002401		活塞密封圈85X70X7.5 Seal ring 85×70×7.5	1	
16	36600191010	LGG035SP300RH-08	弹簧 Spring	1	
17	36600331030	LGG030SL300FH-07	滑阀 Slide valve	1	
18	36600042080	LGG030SL300FH.02	活塞组件 Piston and piston rod	1	
19	36600011560	LGG030SL300FH.01	缸体 Cylinder	1	
20	56196000101		垫圈10X6X2 Washer	1	
21	51139170106	GB/T70.1	螺钉M5X8 Screw M5×8	1	
22	51204132514	GB/T5783	螺栓M16×35 Bolt M16×35	1	
23	51401130107	GB/T93	垫圈16 Washer 16	1	
24	30082185700	LG0030D.10-014	链轮 Chain wheel	2	
25	30082079900	LG0030D.10B.04	缸头焊合 Cylinder head weldment	1	
26	51453350107	GB/T894.1	挡圈40 Snap ring 40	2	
27	30082080200	LG0025B III .10A.06	链条总成LH1234 (71节) Chain assembly	2	2-2.5T
	30082080328	LG0030D III .10A.02.04	链条总成LH1623 Chain assembly	2	3t
28	30082144100	LG0030D.10A.02-002	固定夹 Fixed clip of front cylinder	1	
29	30082113901	LG0030D.10A.02-003	橡胶垫 Rubber gasket	1	
30	51401110107	GB/T93	垫圈12 Washer 12	3	2-2.5T2个
31	51207115314	GB/T5786	螺栓M12×1.25×35 Bolt M12×1.25×35	3	2-2.5T2个
32	51421110115	GB/T97.1	垫圈12 Washer 12	3	2-2.5T2个
33	30082180208	LG0030D.10B-001	挡链板 Chain guide plate	2	
34	51204091014	GB/T5783	螺栓M8×20 Bolt M8×20	4	
35	51401090107	GB/T93	垫圈8 Washer 8	4	
36	51421090115	GB/T97.1	垫圈8 Washer 8	4	3T

前起升油缸(二级全自由)参数/ Front lift cylinder (full free 2-stage mast)

2-2. 5T

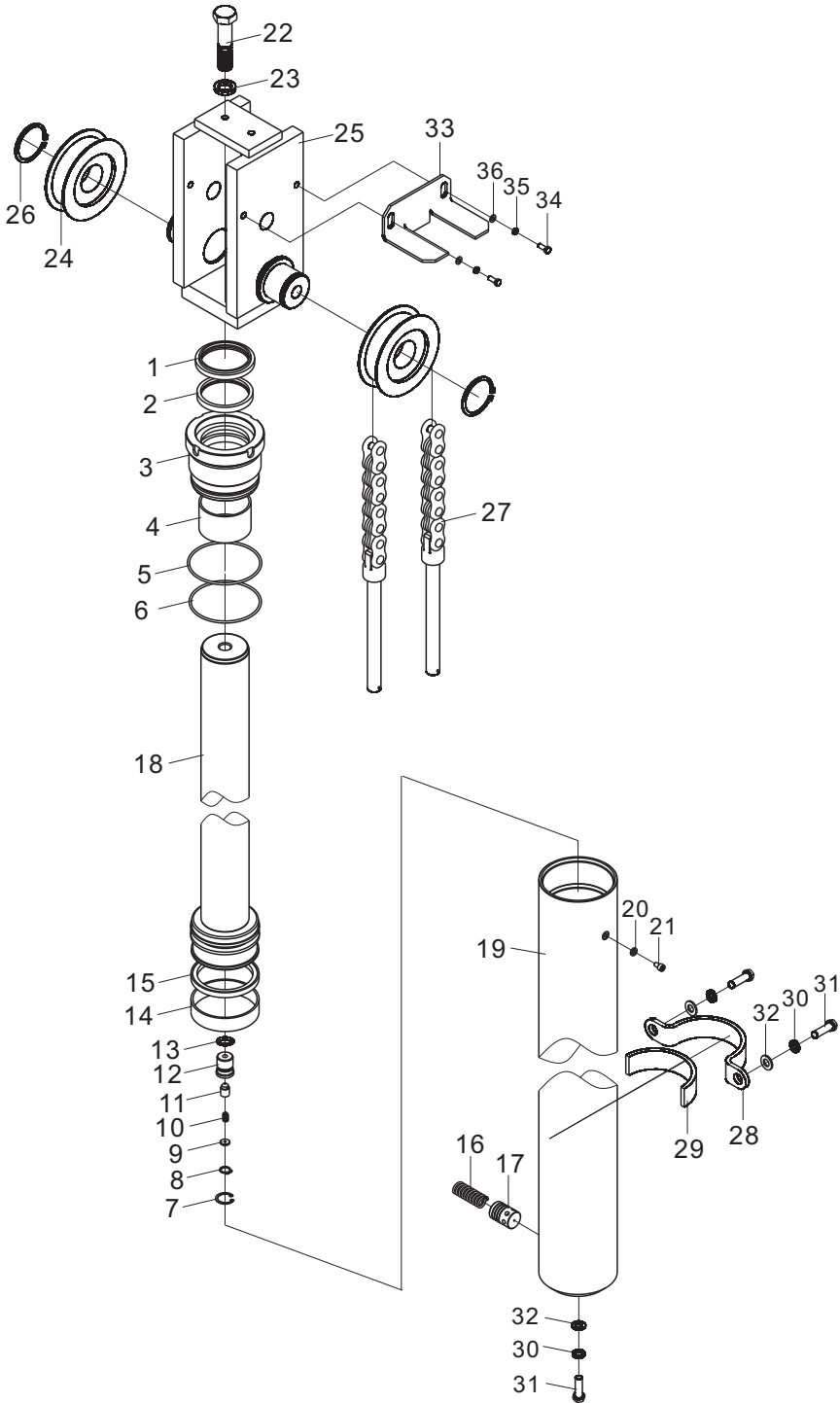
油缸编码 Code ,cyinder	起升高度 Lifting height	活塞杆 Piston rod	缸体 Cylinder body	链条编码 Code,chain	链条节点 Leaf,chain	备 注 Remark
16600147330	2000	36600043300	36600011510	30082080215	61	
16600403010	2500	36600043320	36600011530	30080080210	73	
16600404010	2700	36600043330	36600011540	30080080211	79	
16600406010	3000	36600043350	36600011560	30080080213	87	标准
16600409010	3300	36600043370	36600011580	30080080218	95	
16600410010	3500	36600043380	36600011590	30080080215	101	
16600412010	3750	36600043410	36600011610	30080080223	107	
16600421100	4000	36600043420	36600011630	30080080220	115	
16600415010	4500	36600043440	36600011650	30080080224	129	

3T

油缸编码 Code ,cyinder	起升高度 Lifting height	活塞杆 Piston rod	缸体 Cylinder body	链条编码 Code,chain	链条节点 Leaf,chain	备 注 Remark
16600147330	2000	36600043300	36600011510	30082080215	xx	
16600403010	2500	36600043320	36600011530	30080080210		
16600404010	2700	36600043330	36600011540	30080080211		
16600406010	3000	36600043350	36600011560	30080080213		标准
16600409010	3300	36600043370	36600011580	30080080218		
16600410010	3500	36600043380	36600011590	30080080215		
16600412010	3750	36600043410	36600011610	30080080223		
16600421100	4000	36600043420	36600011630	30080080220		
16600415010	4500	36600043440	36600011650	30080080224		

前起升油缸(二级全自由) / Front lift cylinder (full free 2-stage mast)

3.5T

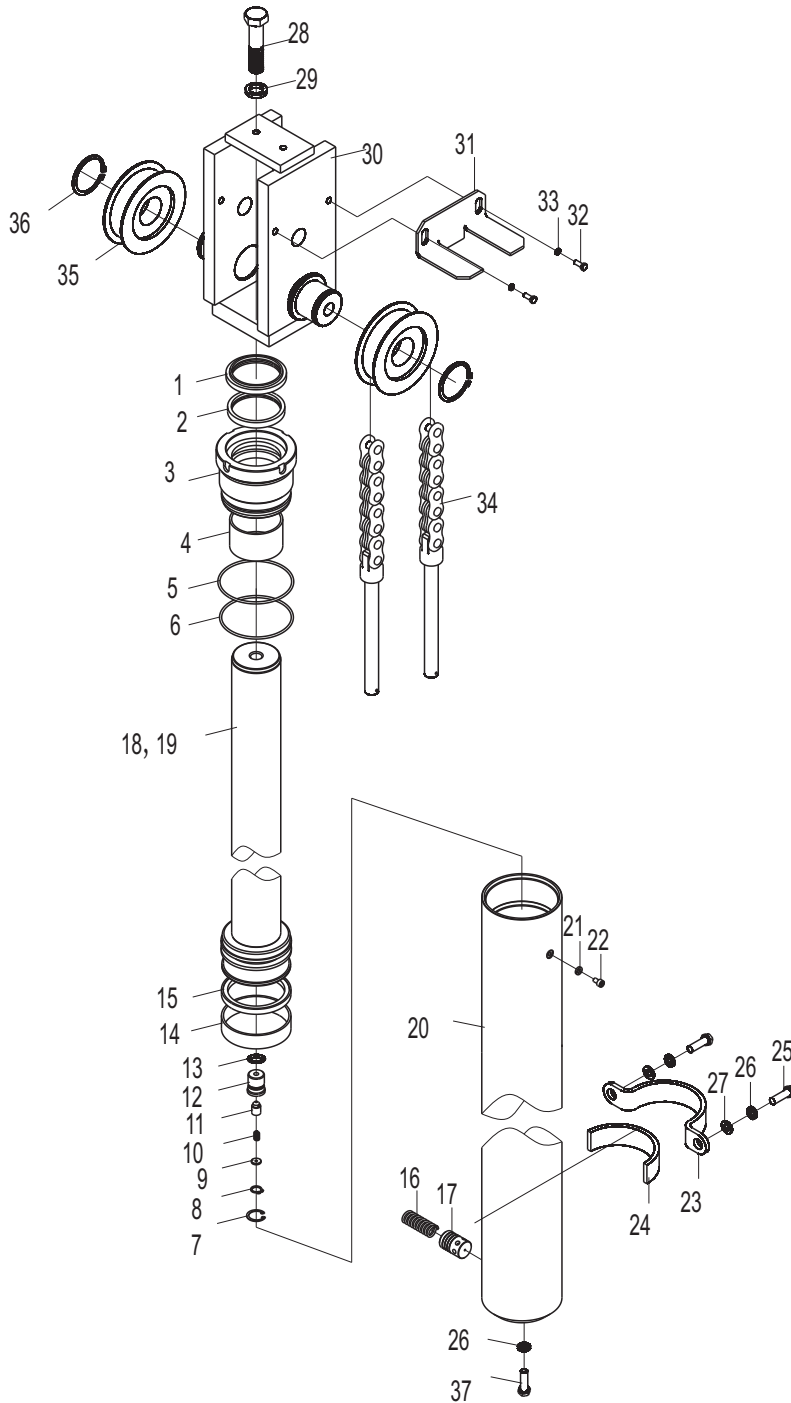


前起升油缸(二级全自由) / Front lift cylinder (full free 2-stage mast)

序号 Item No	编 码 Code	图 号 Part No	零 部 件 名 称 Description	数量 Q'ty	备 注 Remark
A	16600271140	LGG035SL200FH	前起升缸 Front lift cylinder	1	
1	56193000701		防尘圈60×74×8 Dust ring 60×74×8	1	
2	56187020201		轴用密封圈60×70×9 Seal ring 60×70×9	1	
3	36600030150	LGG035SS450FH-01	导向套 Guide sleeve	1	
4	52500000601		钢背轴承60×65×40 Steel- backed bearing	1	
5	56145047304	GB/T3452.1	O形圈95×3.55 O-ring	1	
6	56908001404	JISB2401	O形圈89.4×3.1 O-ring	1	
7	51451220107	GB/T893.1	挡圈22 Snap ring 22	1	
8	51451120107	GB/T893.1	挡圈12 Snap ring12	1	
9	36600351010	LGG030SL300FH-06	单向阀挡环 One way valve collar	1	
10	36600194010	LGG030SL300FH-05	单向阀弹簧 One way valve spring	1	
11	36600341010	LGG030SL300FH-04	单向阀阀芯 One way valve valve core	1	
12	36600203010	LGG030SL300FH-03	单向阀阀体 One way valve body	1	
13	56908008004	JISB2401	O形圈15.8×2.4 O-ring 15.8×2.4	1	
14	56199015301		支承环90×95×20 Pivot ring	1	
15	56189010001		活塞密封圈95×80×7.3 Seal ring	1	
16	36600191010	LGG035SP300RH-08	弹簧 Spring	1	
17	36600330010	LGG035SP300RH-07	滑阀 Slide valve	1	
18	36600047770	LGG035SL200FH-02	活塞、活塞杆组件 Piston and piston rod	1	
19	36600018620	LGG035SL200FH.01	缸体 Cylinder	1	
20	56196000101		垫圈10×6×2 Washer	1	
21	51139170106	GB/T70.1	螺钉M5×8 Screw M5×8	1	
22	51204132514	GB/T5783	螺栓M16×35 Bolt M16×35	1	
23	51401130107	GB/T93	垫圈16 Washer 16	1	
24	30082185702	LG0035D.10-003	链轮 Chain wheel	2	
25	30082079901	LG0035DIII.10A.04	缸头焊合 Cylinder head weldment	1	
26	51453350107	GB/T894.1	挡圈40 Snap ring 40	2	
27	30082080417	LG0035DIII.10A.05	链条总成LH1634 Chain assembly	2	
28	30082144101	LG0035D.10A-002	固定夹 Fixed clip of front cylinder	1	
29	30082113901	LG0030D.10A.02-003	橡胶垫 Rubber gasket	1	
30	51401110107	GB/T93	垫圈12 Washer 12	3	
31	51207115314	GB/T5786	螺栓M12×1.25×35 Bolt M12×1.25×35	3	
32	51421110115	GB/T97.1	垫圈12 Washer 12	3	
33	30082180208	LG0030D.10B-001	挡链板 Chain guide plate	2	
34	51204091014	GB/T5783	螺栓M8×20 Bolt M8×20	4	
35	51401090107	GB/T93	垫圈8 Washer 8	4	
36	51421090115	GB/T97.1	垫圈8 Washer 8	4	

前起升油缸(三级全自由) / Front lift cylinder (full free 3-stage mast)

2-2.5T通用

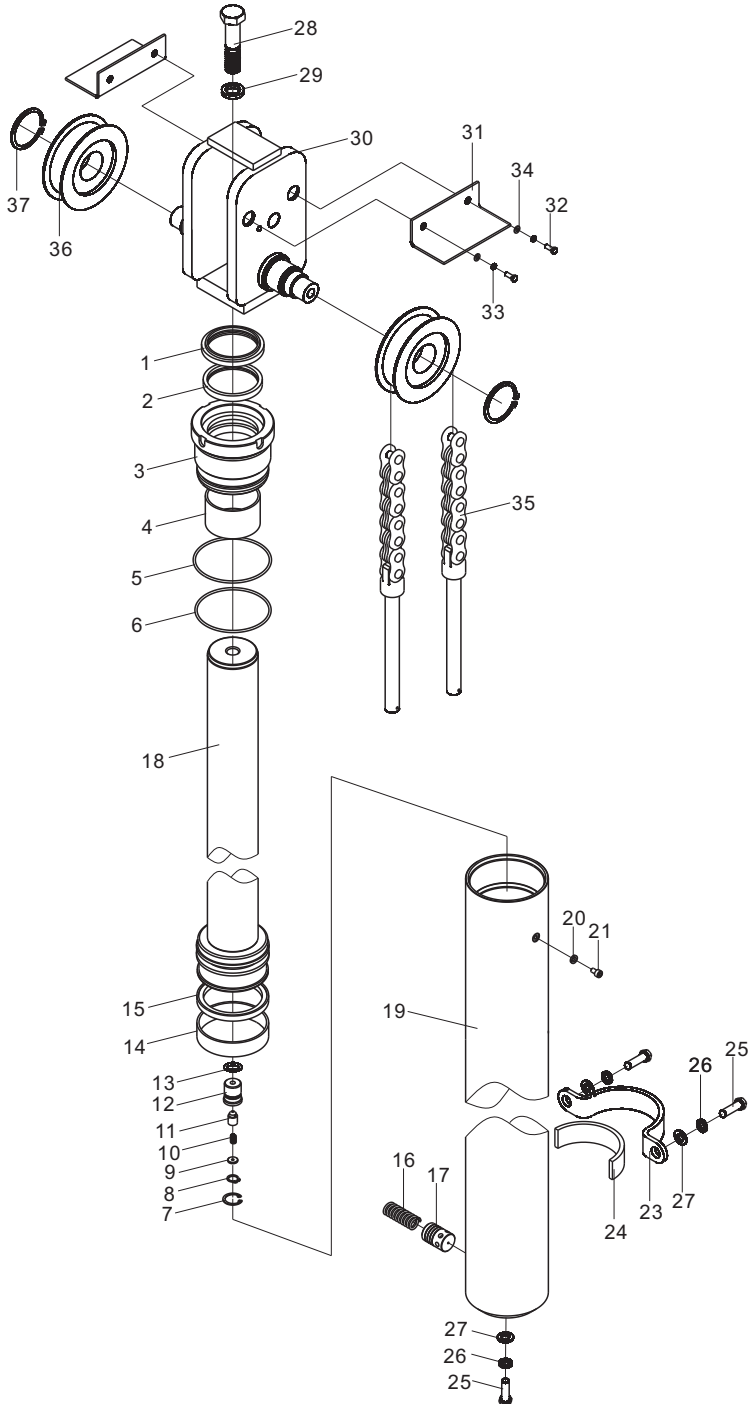


前起升油缸(三级全自由) / Front lift cylinder (full free 3-stage mast)

序号 Item No	编 码 Code	图 号 Part No	零 部 件 名 称 Description	数 量 Q'ty	备 注 Remark
A	16600421050	LG0030D.10B.02.01	油缸 Φ85/Φ60 Lift cylinder	1	包含1-22项
1	56193000701		防尘圈60×74×8 Dust ring 60×74×8	1	
2	56187020201		轴用密封圈60×70×9 Seal ring 60×70×9	1	
3	36600031140	LGG030SL300FH-01	导向套 Guide sleeve	1	
4	52500003001		钢背轴承60×65×35 Steel-backed bearing	1	
5	56194002101	EKM	O形圈86×3 O-ring 86×3	1	
6	56908002207	JISB2401	O形圈79.4×3.1 O-ring 79.4×3.1	1	
7	51451220107	GB/T893.1	挡圈22 Snap ring 22	1	
8	51451120107	GB/T893.1	挡圈12 Snap ring 12	1	
9	36600351010	LGG030SL300FH-06	单向阀挡环 One way valve collar	1	
10	36600194010	LGG030SL300FH-05	单向阀弹簧 Spring	1	
11	36600341010	LGG030SL300FH-04	单向阀阀芯 One way valve core	1	
12	36600203010	LGG030SL300FH-03	单向阀阀体 One way valve body	1	
13	56909000301	JISB2402	O形圈15.8×2.4 O-ring 15.8×2.4	1	
14	56199009501		支承环80×85×20 Pivot ring 80×85×20	1	
15	56189002401		活塞密封圈85×70×7.5 Seal ring 85×70×7.5	1	
16	36600191010	LGG035SP300RH-08	弹簧 Spring	1	
17	36600331030	LGG030SL300FH-07	滑阀 Sliding valve	1	
18	36600043650	LGG030SS450FH-02	活塞杆 Piston	1	
19	36600042080	LGG030SL300FH.02	活塞组件 Piston rod element	1	
20	36600011730	LGG030SS450FH.01	缸体 Cylinder	1	
21	56196000101		垫圈10×6×2 Washer	1	
22	51139170106	GB/T70.1	螺钉M5×8 Screw M5×8	1	
23	30082144100	LG0030D.10A.02-002	固定夹 Fixed clip	1	
24	30082113901	LG0030D.10A.02-003	橡胶垫 Rubber gasket	1	
25	51207115314	GB/T5786	螺栓M12×1.25×35 Bolt M12×1.25×35	2	
26	51401110107	GB/T93	垫圈12 Washer 12	3	
27	51421110115	GB/T97.1	垫圈12 Washer 12	2	
28	51204132514	GB/T5783	螺栓M16×35 Bolt M16×35	1	
29	51401130107	GB/T93	垫圈16 Washer 16	1	
30	30082079900	LG0030D.10B.04	缸头焊合 Cylinder head weldment	1	
31	30082180208	LG0030D.10B-001	挡链板 Chain guide plate	2	
32	51204091014	GB/T5783	螺栓M8×20 Bolt M8×20	4	
33	51401090107	GB/T93	垫圈8 Washer 8	4	
34	30082080213	LG0025B III.10B.05	链条总成LH1234 Chain assembly	2	
35	30082185700	LG0030D.10-014	链轮 Chain wheel	2	
36	51453350107	GB/T894.1	挡圈40 Snap ring 40	2	
37	51207115214	GB/T5786	螺栓M12×1.25×30 Bolt M12×1.25×30	1	

前起升油缸(三级全自由) / Front lift cylinder (full free 3-stage mast)

3T



前起升油缸(三级全自由) / Front lift cylinder (full free 3-stage mast)

序号 Item No	编 码 Code	图 号 Part No	零 部 件 名 称 Description	数量 Q'ty	备 注 Remark
A	16600421040	LG0030D.10B.02.01	油缸 Φ85/Φ60 Lift cylinder	1	包含1-22项
1	56193000701		防尘圈60×74×8 Dust ring 60×74×8	1	
2	56187020201		轴用密封圈60×70×9 Seal ring 60×70×9	1	
3	36600031140	LGG030SL300FH-01	导向套 Guide sleeve	1	
4	52500003001		钢背轴承60×65×35 Steel-backed bearing	1	
5	56194002101	EKM	O形圈86×3 O-ring 86×3	1	
6	56908002207	JISB2401	O形圈79.4×3.1 O-ring 79.4×3.1	1	
7	51451220107	GB/T893.1	挡圈22 Snap ring 22	1	
8	51451120107	GB/T893.1	挡圈12 Snap ring 12	1	
9	36600351010	LGG030SL300FH-06	单向阀挡环 One way valve collar	1	
10	36600194010	LGG030SL300FH-05	单向阀弹簧 Spring	1	
11	36600341010	LGG030SL300FH-04	单向阀阀芯 One way valve core	1	
12	36600203010	LGG030SL300FH-03	单向阀阀体 One way valve body	1	
13	56909000301	JISB2402	O形圈15.8×2.4 O-ring 15.8×2.4	1	
14	56199009501		支承环80×85×20 Pivot ring 80×85×20	1	
15	56189002401		活塞密封圈85×70×7.5 Seal ring 85×70×7.5	1	
16	36600191010	LGG035SP300RH-08	弹簧 Spring	1	
17	36600331030	LGG030SL300FH-07	滑阀 Sliding valve	1	
18	36600043650	LGG030SS450FH-02	活塞杆 Piston	1	
19	36600042080	LGG030SL300FH.02	活塞组件 Piston rod element	1	
20	36600011730	LGG030SS450FH.01	缸体 Cylinder	1	
21	56196000101		垫圈10×6×2 Washer	1	
22	51139170106	GB/T70.1	螺钉M5×8 Screw M5×8	1	
23	30082144100	LG0030D.10A.02-002	固定夹 Fixed clip	1	
24	30082113901	LG0030D.10A.02-003	橡胶垫 Rubber gasket	1	
25	51207115314	GB/T5786	螺栓M12×1.25×35 Bolt M12×1.25×35	3	
26	51401110107	GB/T93	垫圈12 Washer 12	3	
27	51421110115	GB/T97.1	垫圈12 Washer 12	3	
28	51204132514	GB/T5783	螺栓M16×35 Bolt M16×35	1	
29	51401130107	GB/T93	垫圈16 Washer 16	1	
30	30082079900	LG0030D.10B.04	缸头焊合 Cylinder head weldment	1	
31	30082180208	LG0030D.10B-001	挡链板 Chain guide plate	2	
32	51204091014	GB/T5783	螺栓M8×20 Bolt M8×20	4	
33	51401090107	GB/T93	垫圈8 Washer 8	4	
34	51421090115	GB/T97.1	垫圈8 Washer 8	4	
35	30082080302	LG0030D.10B.05	链条总成LH1623 Chain assembly	2	
36	30082185700	LG0030D.10-014	链轮 Chain wheel	2	
37	51453350107	GB/T894.1	挡圈40 Snap ring 40	2	

前起升油缸参数/ Front lift cylinder parameter

2-2. 5T

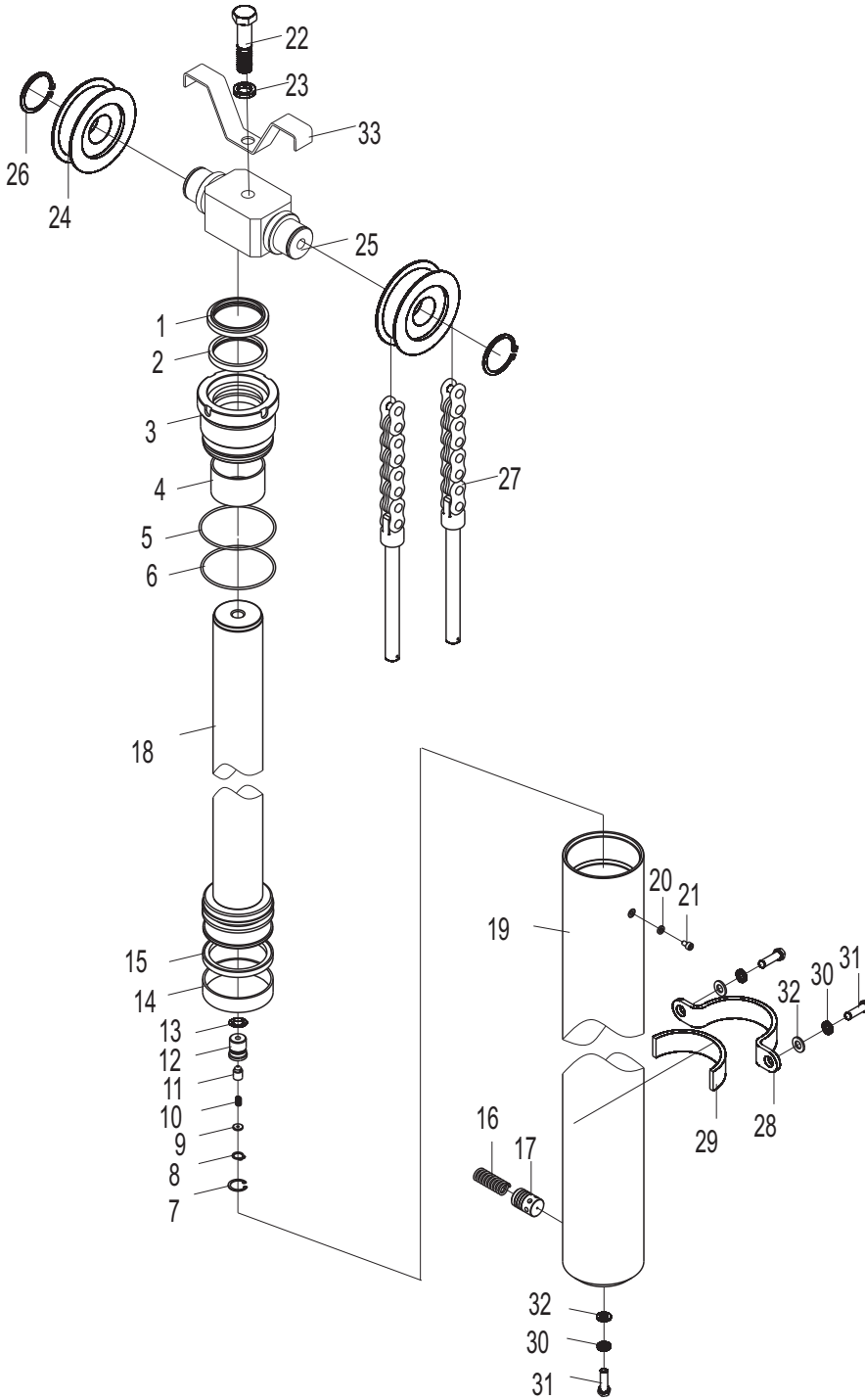
油缸编码 Code ,cylinder	起升高度 Lifting height	活塞杆 Piston rod	缸体 Cylinder body	链条编码 Code,chain	链条节点 Leaf,chain	备 注 Remark
16600421020	4000	36600043630	36600011710	30080080216	77	
16600421030	4350	36600043640	36600011720	30082080201	83	
16600421040	4500	36600043650	36600011730	30080080213	87	标准
16600421060	4800	36600043670	36600011750	30080080203	91	
16600421070	5000	36600043680	36600011760	30082080203	97	
16600421080	5400	36600043690	36600011770	30080080204	103	
16600421100	6000	36600043710	36600011790	30080080218	95	
16600421110	6500	36600043720	36600011800	30080080223	107	

3T

油缸编码 Code ,cylinder	起升高度 Lifting height	活塞杆 Piston rod	缸体 Cylinder body	链条编码 Code,chain	链条节点 Leaf,chain	备 注 Remark
16600421020	4000	36600043630	36600011710	30082080109	57	
16600421030	4350	36600043640	36600011720	30082080318	61	
16600421040	4500	36600043650	36600011730	30082080302	65	标准
16600421050	4700	36600043660	36600011740	30082080302	65	
16600421060	4800	36600043670	36600011750	30082080319	67	
16600421070	5000	36600043680	36600011760	30082080320	71	
16600421080	5400	36600043690	36600011770	30082080304	75	
16600421090	5500	36600043700	36600011780	30082080321	77	
16600421100	6000	36600043710	36600011790	30082080306	85	
16600421110	6500	36600043720	36600011800	30082080330	93	

前起升油缸(三级全自由) / Front lift cylinder (full free 3-stage mast)

3.5T

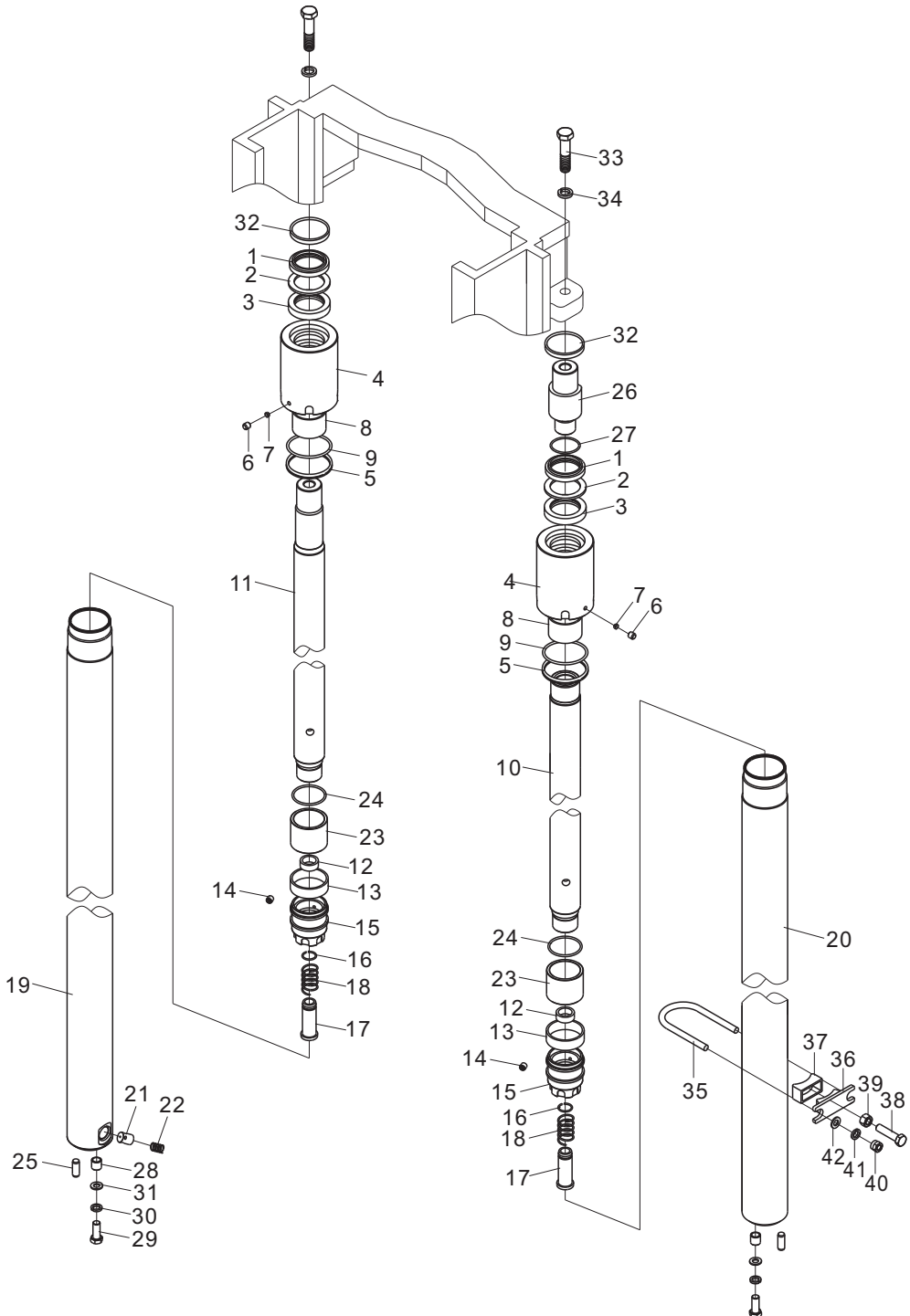


前起升油缸(三级全自由) / Front lift cylinder (full free 3-stage mast)

序号 Item No	编 码 Code	图 号 Part No	零 部 件 名 称 Description	数 量 Q'ty	备 注 Remark
A	16600271190	LGG035SS450FH	全自由前起升缸 Front lift cylinder	1	
1	56193000701		防尘圈60×74×8 Dust ring 60×74×8	1	
2	56187020201		轴用密封圈60×70×9 Seal ring 60×70×9	1	
3	36600030150	LGG035SS450FH-01	导向套 Guide sleeve	1	
4	52500000601		钢背轴承60×65×40 Steel- backed bearing	1	
5	56145047304	GB/T3452.1	O形圈95×3.55 O-ring	1	
6	56908001404	JISB2401	O形圈89.4×3.1 O-ring	1	
7	51451220107	GB/T893.1	挡圈22 Snap ring 22	1	
8	51451120107	GB/T893.1	挡圈12 Snap ring12	1	
9	36600351010	LGG030SL300FH-06	单向阀挡环 One way valve collar	1	
10	36600194010	LGG030SL300FH-05	单向阀弹簧 One way valve spring	1	
11	36600341010	LGG030SL300FH-04	单向阀阀芯 One way valve valve core	1	
12	36600203010	LGG030SL300FH-03	单向阀阀体 One way valve body	1	
13	56908008004	JISB2401	O形圈15.8×2.4 O-ring 15.8×2.4	1	
14	56199015301		支承环90×95×20 Pivot ring	1	
15	56189010001		活塞密封圈95×80×7.3 Seal ring	1	
16	36600191010	LGG035SP300RH-08	弹簧 Spring	1	
17	36600330010	LGG035SP300RH-07	滑阀 Slide valve	1	
18	36600042320	LGG035SS450FH-02	活塞、活塞杆组件 Piston and piston rod	1	
19	36600014020	LGG035SS450FH.01	缸体 Cylinder	1	
20	56196000101		垫圈10×6×2 Washer	1	
21	51139170106	GB/T70.1	螺钉M5×8 Screw M5×8	1	
22	51204134314	GB/T5783	螺栓M16×65 Bolt M16×35	1	
23	51401130107	GB/T93	垫圈16 Washer 16	1	
24	30082185702	LG0035D.10-003	链轮 Chain wheel	2	
25	30086079901	LG0040D.10AI.03	缸头焊合 Cylinder head weldment	1	
26	51453370107	GB/T894.1	挡圈45 Snap ring 40	2	
27	30082080417	LG0040D.10BI.05	链条总成LH1634 Chain assembly	2	
28	30082144101	LG0035D.10A-002	固定夹 Fixed clip of front cylinder	1	
29	30082113901	LG0030D.10A.02-003	橡胶垫 Rubber gasket	1	
30	51401110107	GB/T93	垫圈12 Washer 12	3	
31	51207115314	GB/T5786	螺栓M12×1.25×35 Bolt M12×1.25×35	3	
32	51421110115	GB/T97.1	垫圈12 Washer 12	3	
33	30086180209	LG0040D.10AI-001	挡链板 Chain guide plate	1	

后起升油缸(二级全自由) / Rear lift cylinder (full free 2-stage mast)

2-3T

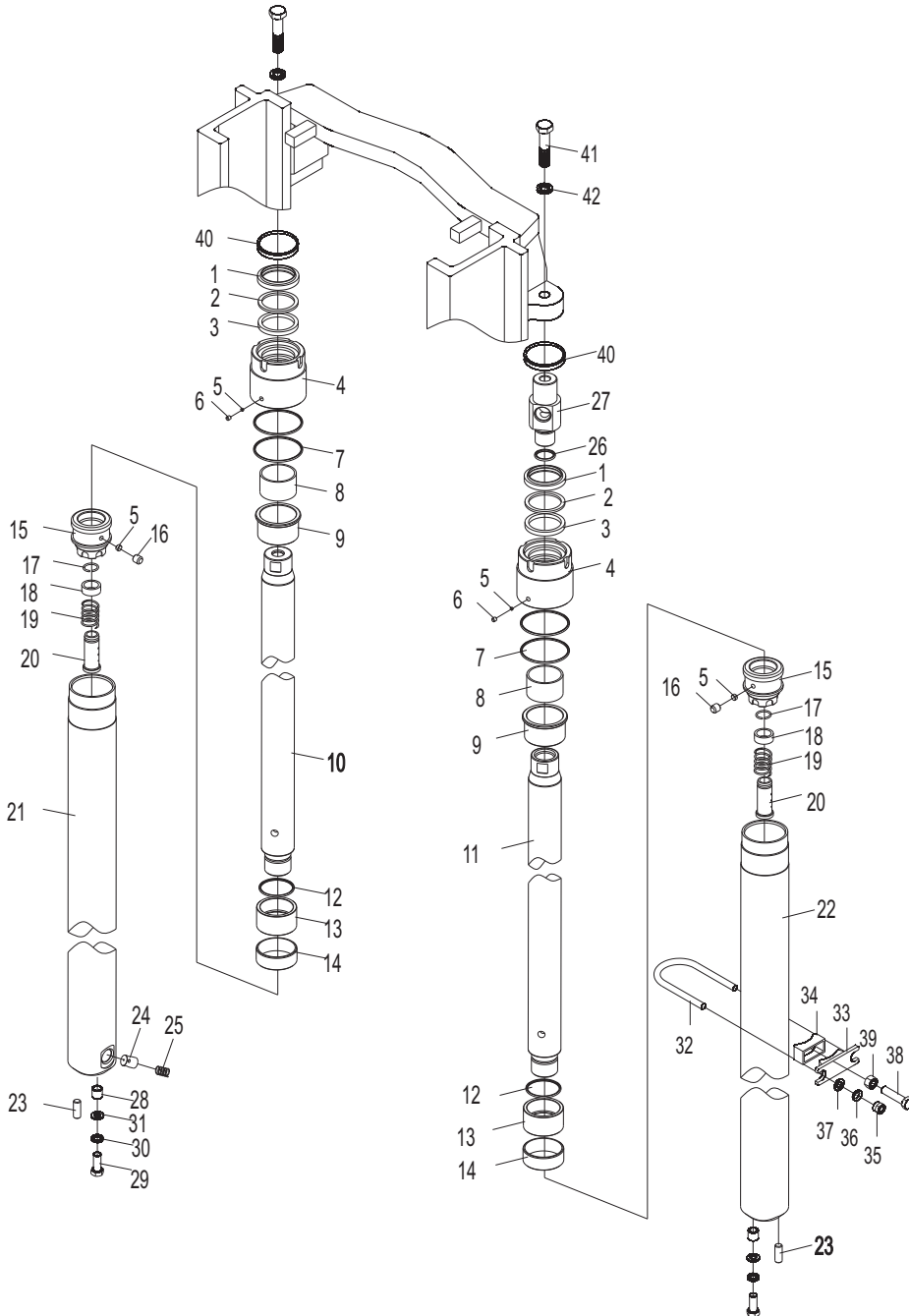


起升油缸(二级全自由) / Lift cylinder (full free 2-stage mast)

序号 Item No	编 码 Code	图 号 Part No	零 部 件 名 称 Description	数量 Q'ty	备 注 Remark
A	16600400110	LG0030D.10A.02.06	左起升缸 Left lift cylinder	1	
B	16600400120	LG0030D.10A.02.08	右起升缸 Right lift cylinder	1	
1	56193000301		防尘圈40X52X7 Dust ring 40×52×7	2	
2	56192015001		挡圈40X55X3 Snap ring 40×55×3	2	
3	56187020101		轴用密封圈40X55X10 Seal ring 40×55×10	2	
4	36600031130	LGG030SL300LH-03	导向套 Guide sleeve	2	
5	56192015501		挡圈55X60. 4X1. 5 Snap ring 55×60.4×1.5	2	
6	51106211007	GB/T77	螺钉M8X8 Screw M8×8	4	
7	36600321010	LGG030SP300H-02	锁紧垫 Lock gasket	4	
8	52500000201		钢背轴承40X44X30 Steel- backed bearing	2	
9	56900004603	AS568	O形圈53. 57X3. 53 O-ring 53.57×3.53	2	
10	36600043160	LGG030SL300LH-02	活塞杆 Piston rod	1	
11	36600041960	LGG030SL300RH-01	活塞杆 Piston rod	1	
12	36600081020	LGG030SL300LH-06	环 Ring	2	
13	56199009401		支承环45X50X15 Pivot ring 45×50×15	2	
14	51103111105	GB/T73	螺钉M4X6 Screw M4×6	2	
15	36600021180	LGG030SL300LH-05	活塞 Piston	2	
16	51467160119	GB/T895.2	挡圈18 Snap ring 18	2	
17	36600202010	LGG030SL300LH-08	弹簧座 Spring seat	2	
18	36600193010	LGG030SL300LH-07	缓冲弹簧 Buffer spring	2	
19	36600013500	LGG030SL300RH.01	右缸体 Right cylinder	1	
20	36600012500	LGG030SL300LH.01	左缸体 Left cylinder	1	
21	36600331020	LGG030SL300RH-03	滑阀 Slide valve	1	
22	36600192010	LGG030SL300RH-02	滑阀弹簧 Slide valve spring	1	
23	36600071180	LGG030SL300LH-04	间隔套 Spacer	2	2000≤高度≤3300
	36600071190	LGG030SL350LH-04	间隔套 Spacer	2	3500≤高度≤3750
	36600071200	LGG030SL400LH-04	间隔套 Spacer	2	4000≤高度≤4750
	36600071210	LGG030SL500LH-04	间隔套 Spacer	2	高度5000
	36600071350	LGG030SL550LH-04	间隔套 Spacer	2	高度5500/6000
24	56145077904	GB/T3452.1	O形圈40X1. 8 O-ring 40×1.8	2	
25	51513131502	GB/T119.1	圆柱销6X26 Pin 6×26	2	
26	36600242020	LGG030SL300LH-01	拉杆头 Pull rod head	1	
27	56900002303	AS568	O形圈23. 47X2. 95 O-ring 23.47×2.95	1	
28	30082135101	LG0030D.10-009	轴套 Sleeve	2	
29	51207115314	GB/T5786	螺栓M12X1. 25X35 Bolt M12×1.25×35	2	
30	51401110107	GB/T93	垫圈12 Washer 12	2	

后起升油缸(二级全自由) / Rear lift cylinder (full free 2-stage mast)

3.5T

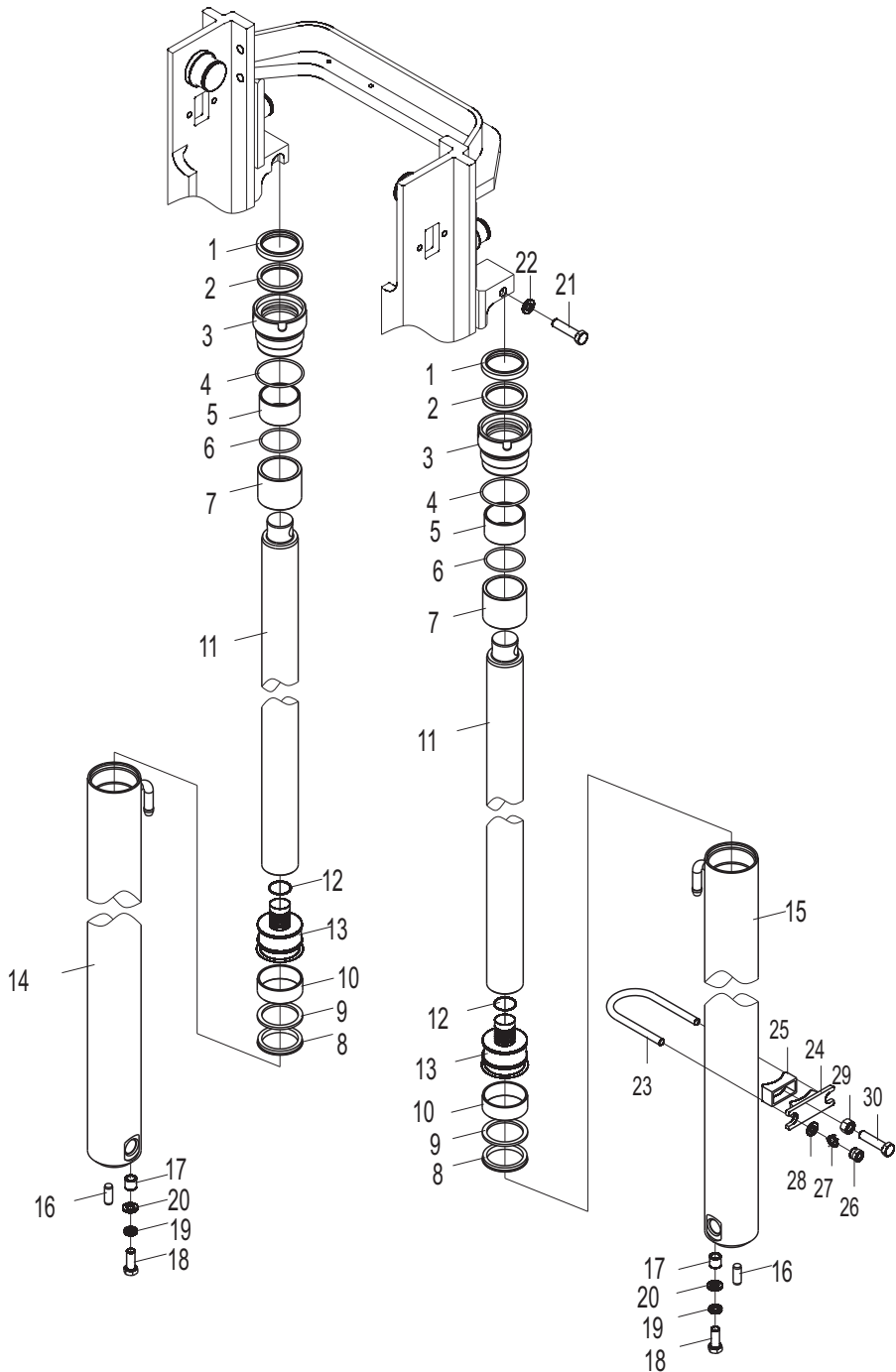


后起升油缸(二级全自由) /Lift cylinder (full free 2-stage mast)

序号 Item No	编 码 Code	图 号 Part No	零 部 件 名 称 Description	数量 Q'ty	备 注 Remark
A	16600401440	LGG035SL300LH-00	左后起升缸 Left lift cylinder	2	
B	16600401440	LGG035SL300RH-00	右后起升缸 Right lift cylinder	2	
1	56193001701		防尘圈45×57×7 Dust ring	2	
2	56192022601		挡圈45×55×3 Snap ring	2	
3	56187010501		轴用密封圈45×55×7 Seal ring	2	
4	36600030160	LGG035SL300LH-03	缸盖 Cylinder cover	2	
5	36600320010	LGG035SL300LH-05	锁紧垫 Lock gasket	4	
6	51106191507	GB/T77	螺钉M6×8 Screw M6×8	6	
7	56194000801	EKM	O形圈63×3 O-ring	4	
8	52500002801		钢背轴承45×50×30 Steel- backed bearing	2	
9	36600370010	LGG035SL300LH-04	支撑套 Support bushing	1	
10	36600042660	LGG035SL300RH-02	活塞杆 Piston rod	1	右缸
11	36600042470	LGG035SL300LH-02	活塞杆 Piston rod	1	左缸
12	56145011401	GB/T3452.1	O形圈43.7×2.65 O-ring	2	
13	36600070500	LGG035SL300LH-06	间隔套 Spacer	2	
14	56199008201		支承环51×56×20 Pivot ring	2	
15	36600020190	LGG035SL300LH-08	活塞 Piston	2	
16	51106191407	GB/T77	螺钉M6×6 Screw M6×6	2	
17	51467200119	GB/T895.2	挡圈20 Snap ring 20	2	
18	36600080040	LGG035SL300LH-09	挡环 Buffer spring	2	
19	36600190060	LGG035SL300LH-10	弹簧 Spring	2	
20	36600200050	LGG035SL300LH-07	弹簧座 Spring seat	2	
21	36600014360	LGG035SL300RH.01	缸体 Right cylinder	1	右缸
22	36600014170	LGG035SL300LH.01	缸体 Left cylinder	1	左缸
23	51513131502	GB/T119.1A型	圆柱销10m6×26 Cylindrical pin	2	
24	36600331020	LGG030SL300RH-03	滑阀 Slide valve	1	
25	36600192010	LGG030SL300RH-02	滑阀弹簧 Slide valve spring	1	
26	56900002307	AS568	O形圈23.47×2.95 O-ring	1	
27	36600242020	LGG030SL300LH-01	拉杆头 Pull rod head	1	
28	30082135101	LG0030D.10-009	轴套 Shaft sleeve	2	
29	51207115314	GB/T5786	螺栓M12×1.25×35 Bolt M12×1.25×35	2	
30	51401110107	GB/T93	垫圈12 Washer 12	2	
31	51421110115	GB/T97.1	垫圈12 Washer 12	2	
32	30082109601	LG0030D.10-011	卡箍 Clamp	2	
33	30082185000	LG0030D.10-012	箍座 Clamp seat	2	
34	30082113900	LG0030D.10-013	橡胶垫 Rubber gasket	2	

后起升油缸(三级全自由) / Rear lift cylinder (full free 3-stage mast)

2-2. 5T通用

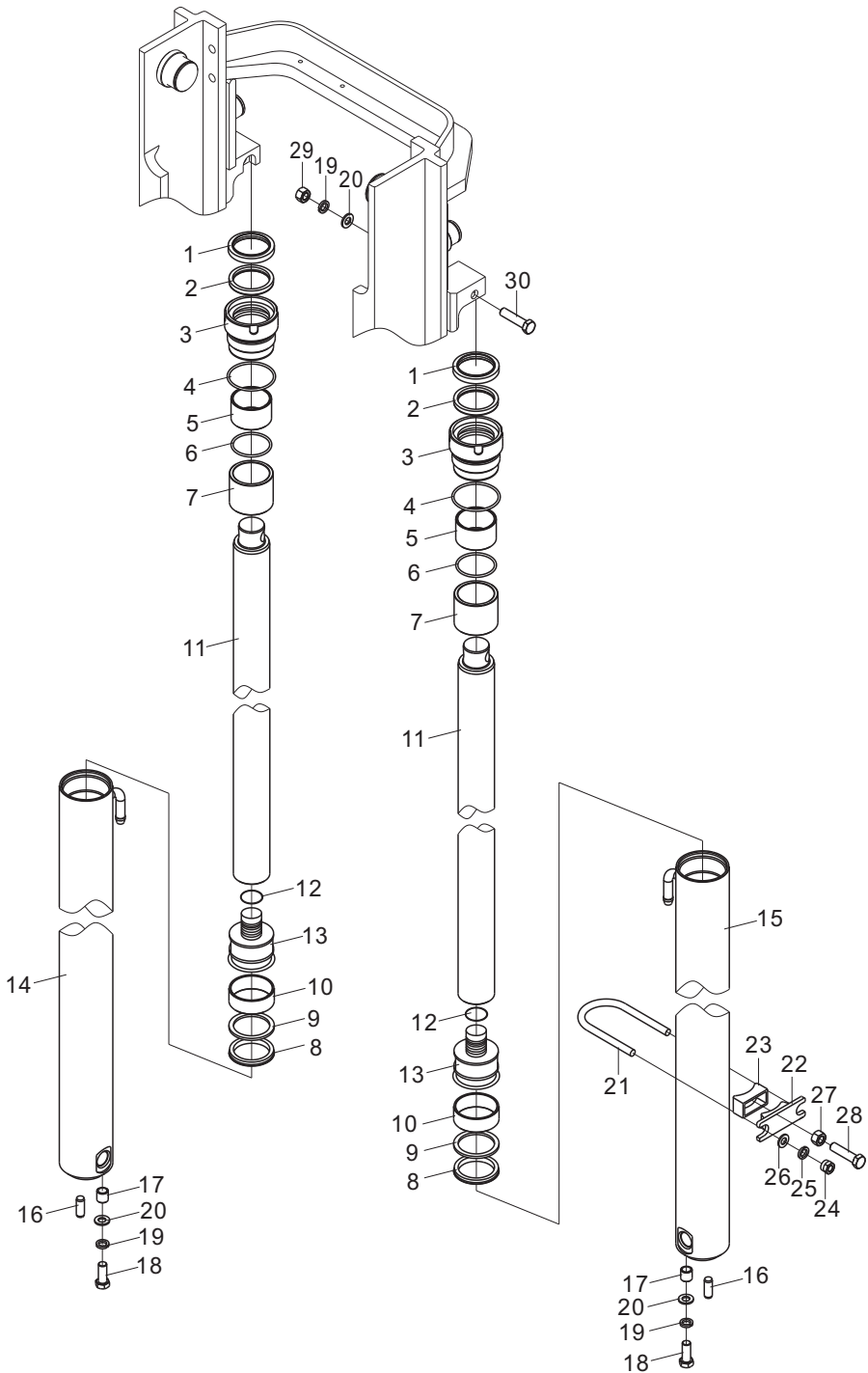


后起升油缸(三级全自由) / Rear lift cylinder (full free 3-stage mast)

序号 Item No	编 码 Code	图 号 Part No	零 部 件 名 称 Description	数量 Q'ty	备 注 Remark
A	16600015650	LG0030D.10B.02.05	左起升缸 Left lift cylinder	1	
B	16600015660	LG0030D.10B.02.10	右起升缸 Right lift cylinder	1	
1	56193001701		防尘圈45X57X7 Dust ring 45×57×7	2	
2	56187010501		轴用密封圈45X55X7 Seal ring 45X57X7	2	
3	36600031150	LGG030SS450H-02	导向套 Guide sleeve	2	
4	56900009103	AS568	O形圈55. 25X2. 62 O-ring 55.25×2.62	2	
5	52500002801		钢背轴承45X50X30 Steel-backed bearing	2	
6	56145011401	GB/T3452.1	O形圈43. 7X2. 65 O-ring 43.7×2.65	2	
7	36600071250	LGG030SS450H-03	间隔套 Spacer	2	
8	56191003901		活塞密封圈56X45X8 Seal ring 56X45X8	2	
9	56192015101		挡圈45X56X3 Snap ring 45×56×3	2	
10	56199008201		支承环51X56X20 Pivot ring 51×56×20	2	
11	36600043520	LGG030SS450H-01	活塞杆 Piston rod	2	
12	51466240119	GB/T895.1	挡圈25 Snap ring 25	2	
13	36600021200	LGG030SS450H-04	活塞 Piston	2	
14	36600013670	LGG030SS450RH.01	右缸体 Right cylinder	1	
15	36600012670	LGG030SS450LH.01	左缸体 Left cylinder	1	
	36600061010	LGG030SS450H-05	缓冲套 Buffering sleeve	2	
	51466230119	GB/T895.1	挡圈24 Snap ring 24	2	
16	51513131502	GB/T119.1	圆柱销6X26 Cylindrical pin 6X26	2	
17	30082135101	LG0030D.10-009	轴套 Sleeve	2	
18	51207115214	GB/T5786	螺栓M12×1. 25×30 Bolt M12×1.25×30	2	
19	51401110107	GB/T93	垫圈12 Washer 12	2	
20	51421110115	GB/T97.1	垫圈12 Washer 12	2	
21	51210120215	GB/T5785	螺栓M14×1. 5×50 Bolt M14×1.5×50	2	
22	51401120107	GB/T93	垫圈14 Washer 14	2	
23	30082109601	LG0030D.10-011	卡箍 Clamp	2	
24	30082185000	LG0030D.10-012	箍座 Clamp seat	2	
25	30082113900	LG0030D.10-013	橡胶垫 Rubber gasket	2	
26	51309000319	GB/T6171	螺母M10×1. 25 Nut M10×1.25	4	
27	51401100107	GB/T93	垫圈10 Washer 10	4	
28	51421100115	GB/T97.1	垫圈10 Washer 10	4	
29	51309000519	GB/T6171	螺母M12×1. 25 Nut M10×1.25	2	
30	51207115614	GB/T5786	螺栓M12×1. 25×50 Bolt M12×1.25×50	2	

后起升油缸(三级全自由) / Rear lift cylinder (full free 3-stage mast)

3T

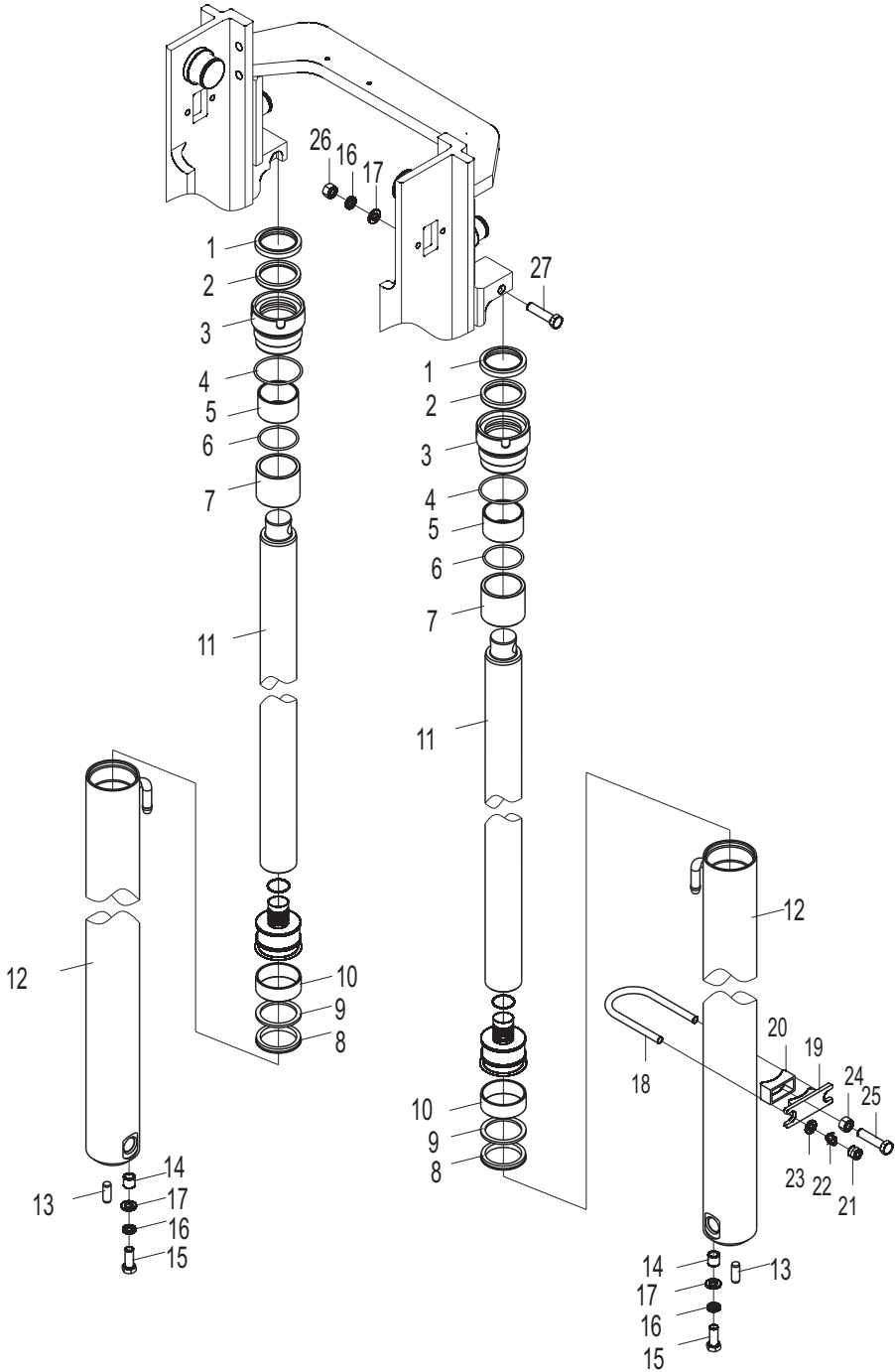


后起升油缸(三级全自由) / Rear lift cylinder (full free 3-stage mast)

序号 Item No	编 码 Code	图 号 Part No	零 部 件 名 称 Description	数量 Q'ty	备 注 Remark
A	16600015650	LG0030D.10B.02.05	左起升缸 Left lift cylinder	1	
B	16600015660	LG0030D.10B.02.10	右起升缸 Right lift cylinder	1	
1	56193001701		防尘圈45X57X7 Dust ring 45×57×7	2	
2	56187010501		轴用密封圈45X55X7 Seal ring 45X57X7	2	
3	36600031150	LGG030SS450H-02	导向套 Guide sleeve	2	
4	56900009103	AS568	O形圈55. 25X2. 62 O-ring 55.25×2.62	2	
5	52500002801		钢背轴承45X50X30 Steel-backed bearing	2	
6	56145011401	GB/T3452.1	O形圈43. 7X2. 65 O-ring 43.7×2.65	2	
7	36600071250	LGG030SS450H-03	间隔套 Spacer	2	
8	56191003901		活塞密封圈56X45X8 Seal ring 56X45X8	2	
9	56192015101		挡圈45X56X3 Snap ring 45×56×3	2	
10	56199008201		支承环51X56X20 Pivot ring 51×56×20	2	
11	36600043520	LGG030SS450H-01	活塞杆 Piston rod	2	
12	51466240119	GB/T895.1	挡圈25 Snap ring 25	2	
13	36600021200	LGG030SS450H-04	活塞 Piston	2	
14	36600013670	LGG030SS450RH.01	右缸体 Right cylinder	1	
15	36600012670	LGG030SS450LH.01	左缸体 Left cylinder	1	
	36600061010	LGG030SS450H-05	缓冲套 Buffering sleeve	2	
	51466230119	GB/T895.1	挡圈24 Snap ring 24	2	
16	51513131502	GB/T119.1	圆柱销6X26 Cylindrical pin 6X26	2	
17	30082135101	LG0030D.10-009	轴套 Sleeve	2	
18	51207115314	GB/T5786	螺栓M12×1. 25×35 Bolt M12×1.25×35	2	
19	51401110107	GB/T93	垫圈12 Washer 12	4	
20	51421110115	GB/T97.1	垫圈12 Washer 12	4	
21	30082109601	LG0030D.10-011	卡箍 Clamp	2	
22	30082185000	LG0030D.10-012	箍座 Clamp seat	2	
23	30082113900	LG0030D.10-013	橡胶垫 Rubber gasket	2	
24	51309000319	GB/T6171	螺母M10×1. 25 Nut M10×1.25	4	
25	51401100107	GB/T93	垫圈10 Washer 10	4	
26	51421100115	GB/T97.1	垫圈10 Washer 10	4	
27	51309000519	GB/T6171	螺母M12×1. 25 Nut M10×1.25	2	
28	51207115614	GB/T5786	螺栓M12×1. 25×50 Bolt M12×1.25×50	2	
29	51307001119	GB/T6170	螺母M12 NutM12	2	
30	30014111102	30D-1400006	螺栓 Bolt	2	

后起升油缸(三级全自由) / Lift cylinder (full free 3-stage mast)

3.5T

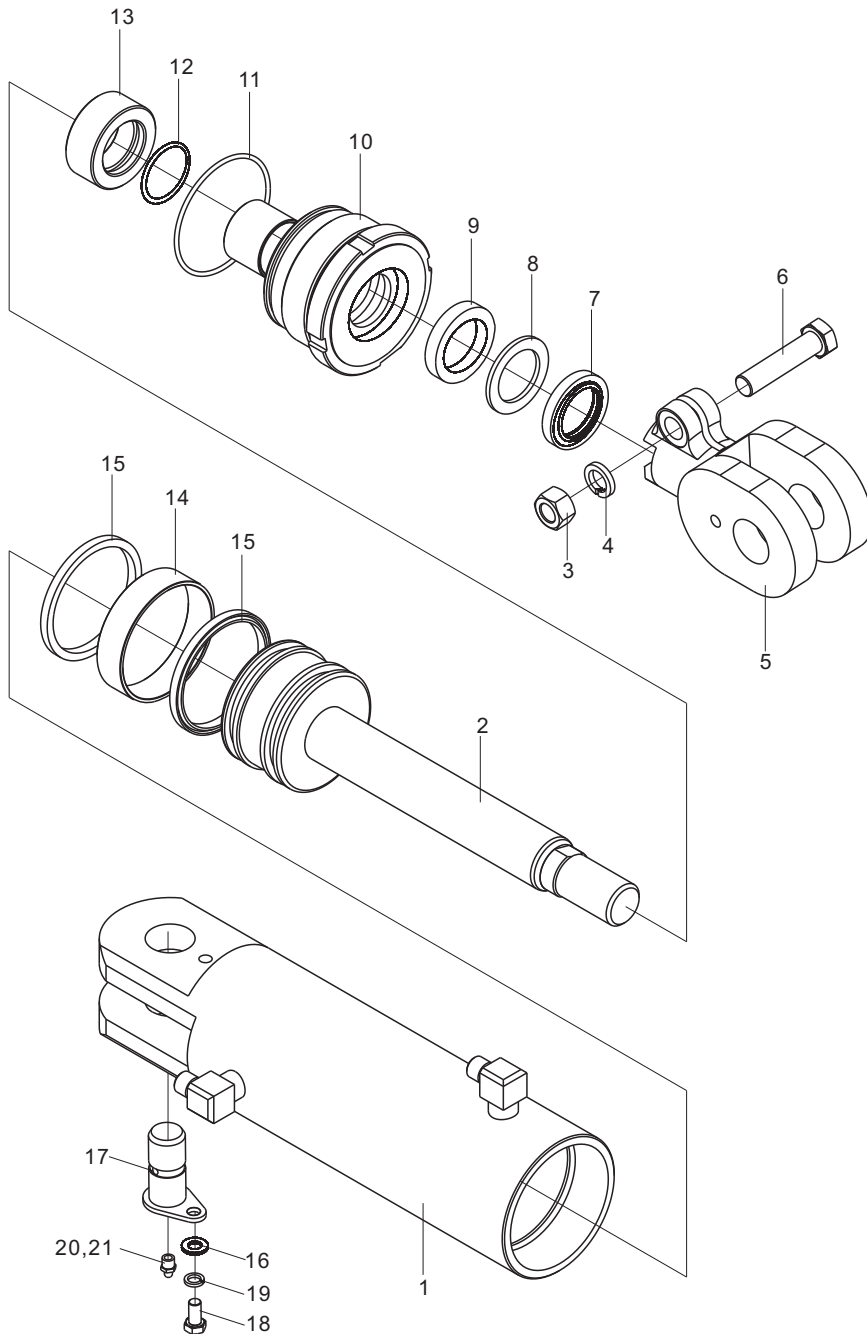


起升油缸(三级全自由) / Lift cylinder (full free 3-stage mast)

序号 Item No	编 码 Code	图 号 Part No	零 部 件 名 称 Description	数 量 Q'ty	备 注 Remark
A	16600087050	LGG035SS450LH	起升缸 Lift cylinder	1	
B	16600087180	LGG035SS450RH	起升缸 Lift cylinder	1	
1	56193001701		防尘圈45×57×7 Dust ring 45×57×7	2	
2	56187010501		轴用密封圈45×55×7 Seal ring 45×55×7	2	
3	36600030170	LGG035SS450H-02	导向套 Guide sleeve	2	
4	56908025404	AS568	O形圈55.6×2.4 O-ring	2	
5	52500002801		钢背轴承45×50×30 Steel-backed bearing	2	
6	56145011401	GB/T3452.1	O形圈43.7×2.65 O-ring 43.7×2.65	2	
7	36600070560	LGG035SS450H-03	间隔套 Spacer	2	
8	56191005601		活塞密封圈60×50×7 Seal ring	2	
9	56192040901		挡圈 50×60×3 Snap ring	2	
10	56199017001		支承环55×60×15 Pivot ring	2	
11	36600042830	LGG035SS450H-01	活塞杆 Piston rod	2	
	36600020200	LGG035SS450H-04	活塞 Piston	2	
12	36600012670	LGG030SS450LH.01	左缸体 Left cylinder	1	左缸体
	36600013670	LGG030SS450RH.01	右缸体 Right cylinder	1	右缸体
13	51513131502	GB/T119.1	圆柱销10×26 Cylindrical pin 10×26	2	
14	30082135101	LG0030D.10-009	轴套 Shaft sleeve	2	
15	51207115314	GB/T5786	螺栓M12×1.25×35 Bolt M12×1.25×35	2	
16	51401110107	GB/T93	垫圈12 Washer 12	4	
17	51421110115	GB/T97.1	垫圈12 Washer 12	4	
18	30082109603	LG0035DIII.10-002	卡箍 Clamp	2	
19	30082185000	LG0030D.10-012	箍座 Clamp seat	2	
20	30082113900	LG0030D.10-013	橡胶垫 Rubber gasket	2	
21	51309000319	GB/T6171	螺母M10×1.25 Nut M10×1.25	4	
22	51401100107	GB/T93	垫圈10 Washer 10	4	
23	51421100115	GB/T97.1	垫圈10 Washer 10	4	
24	51309000519	GB/T6171	螺母M12×1.25 Nut M12×1.25	2	
25	51207115614	GB/T5786	螺栓M12×1.25×50 Bolt M12×1.25×50	2	
26	51307001119	GB/T6170	螺母M12 Nut M12	2	
27	30014111102	30D-1400006	螺栓 Bolt	2	

倾斜油缸总成/Tilt cylinder assembly

通用



倾斜油缸总成/Tilt cylinder assembly

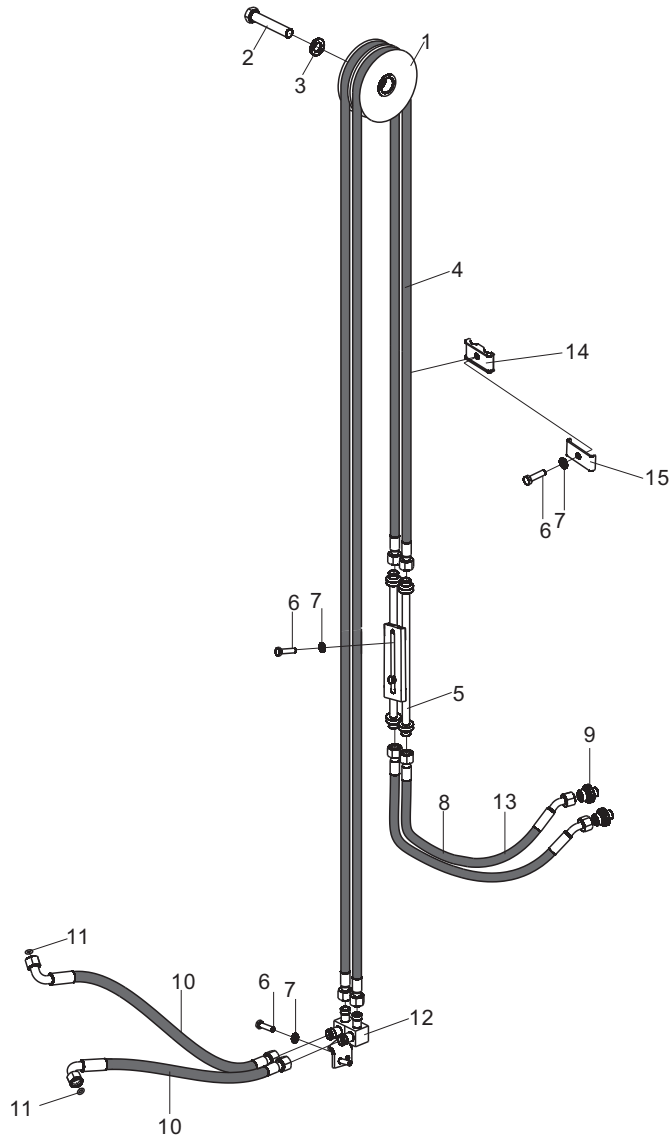
序号 Item No	编 码 Code	图 号 Part No	零 部 件 名 称 Description	数量 Q'ty	
A	16600149270	LGG030III6/12LH	3T左倾斜油缸6° /12° Left tilt cylinder	1	6°/12°
B	16600149280	LGG030III6/12RH	3T右倾斜油缸6° /12° Right tilt cylinder	1	6°/12°
1	36600016421	LGG030III6/12LH.01	左缸体 Left cylinder	1	
	36600016431	LGG030III6/12RH.01	右缸体 Right cylinder	1	
2	36600045871	LGG030III6/12H.02	活塞杆组件 Piston rod	2	6°/12°
3	51309000619	GB/T6171	螺母M14X1.5 Nut M14×1.5	2	
4	51401120107	GB/T93	垫圈14 Washer 14	2	
5	36600241010	LGG020X6/12H-04	杆头 Rod head	2	
6	51210120314	GB/T5785	螺栓M14X1.5X55 Bolt M14×1.5×55	2	
7	56193001801		防尘圈35X47X7 Dust ring 35×47×7	2	
8	56192014801		挡圈35X45X3 Snap ring 35×45×3	2	
9	56187019901		轴用密封圈35X45X9 Seal ring 35×45×9	2	
10	36600031100	LGG035X6/12H-04	导向套 Guide sleeve	2	
11	56908001204	JISB2401	O形圈74.4X3.1 O-ring 74.4×3.1	2	
12	56908003104	JISB2401	O形圈34.4X3.1 O-ring 34.4×3.1	2	只3°/6°有
13	36600070750	LG0030DIII.10.08C-03	间隔套 Spacer	2	只3°/6°有
14	56199021001		支承环75X80X20 Pivot ring 75×80×20	2	
15	56191001501		活塞密封圈80X70X7 Seal ring 80×70×7	4	
16	51421090115	GB/T97.1	垫圈8 Washer 8	2	
17	30080025001	LG0020D.10.03	销轴焊合 Pin shaft weldment	2	
18	51204091014	GB/T5783	螺栓M8×20 Bolt M8×20	2	
19	51401090107	GB/T93	垫圈8 Washer 8	2	
20	56201000301	JB/T7940.1	油杯M10X1 Oil cup	2	
21	60980005823	LG0030D.10-021	红色保护套 Red sheath	2	

倾斜油缸参数/Tilt cylinder Parameter

左缸 Left cylinder	右缸 Right cylinder	前/后倾角 Tilt angle	活塞杆组件 Piston	调整套 Adjusted spacer	备 注 Remark
16600149270	16600149280	6°-12°	36600045871		2-2.5T
16600149290	16600149300	6°-6°	36600047012	36600070352	3-3.5T
16600149310	16600149320	3°-6°	36600047012	36600071002	

门架侧移管路(基本型) / Mast sideshift pipe(normal mast)

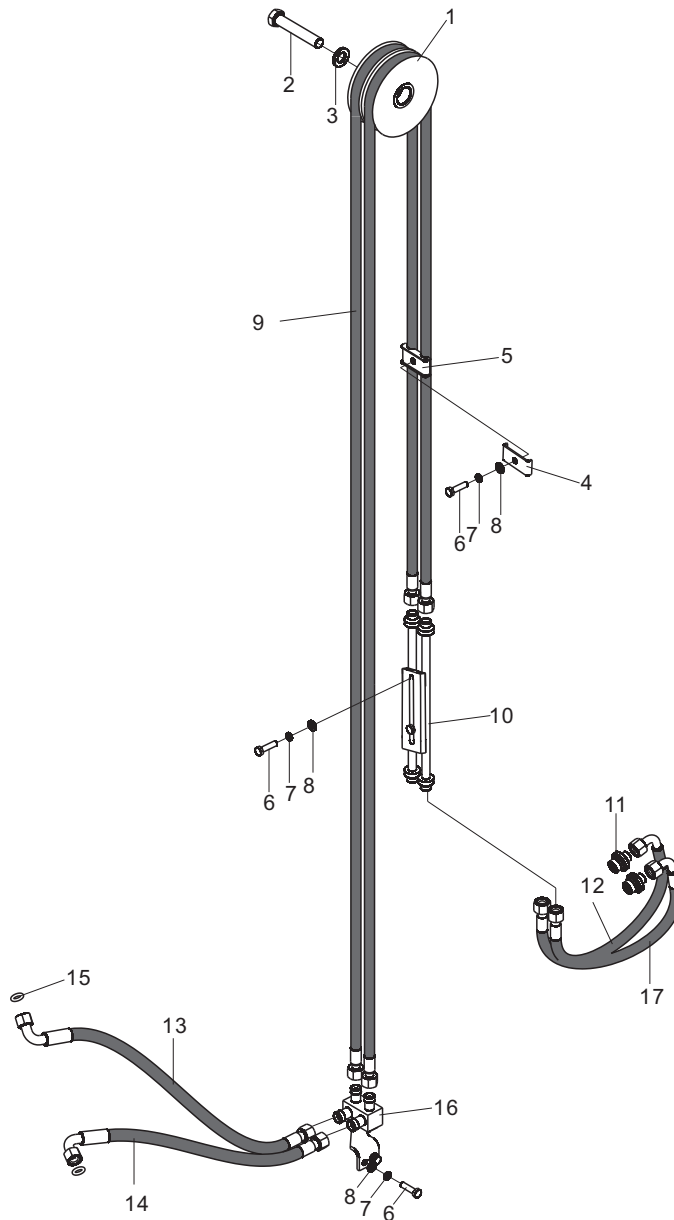
2-2. 5T通用



高度 Lifting height	2000	2500	2750	3000	3300	3500	3750
序号7胶管 Hose, NO.7	XXXXXXXXX						
高度 Lifting height	4000	4250	4500	5000	5500	6000	
序号7胶管 Hose, NO.7							
备注 Remark							

门架侧移管路(基本型) / Mast sideshift pipe(normal mast)

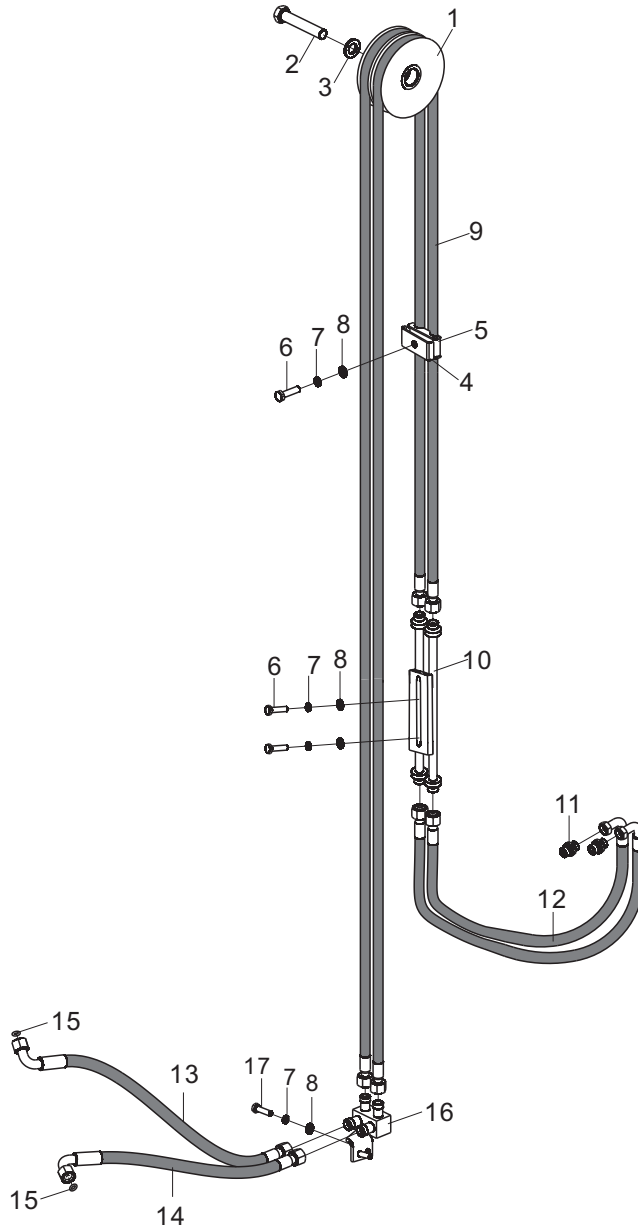
3T



高度 Lifting height	3700	4000	4300	4500	4700	4800	5000
序号9胶管 Hose, NO.9	17272008722	17272008720	17272009217	17272009218	17272008726	17272008726	17272008557
高度 Lifting height	5250	5500	6000	6500	6700	7000	7500
序号9胶管 Hose, NO.9	17272008558	17272009219	17272008562	17272007667	17272007649	17272007650	17272009273
高度 Lifting height	8000	8500	9000				
序号9胶管 Hose, NO.9	17272009633	17272008735	17272008736				

门架侧移管路系统(基本型) / Side shifting pipeline system (Normal mast)

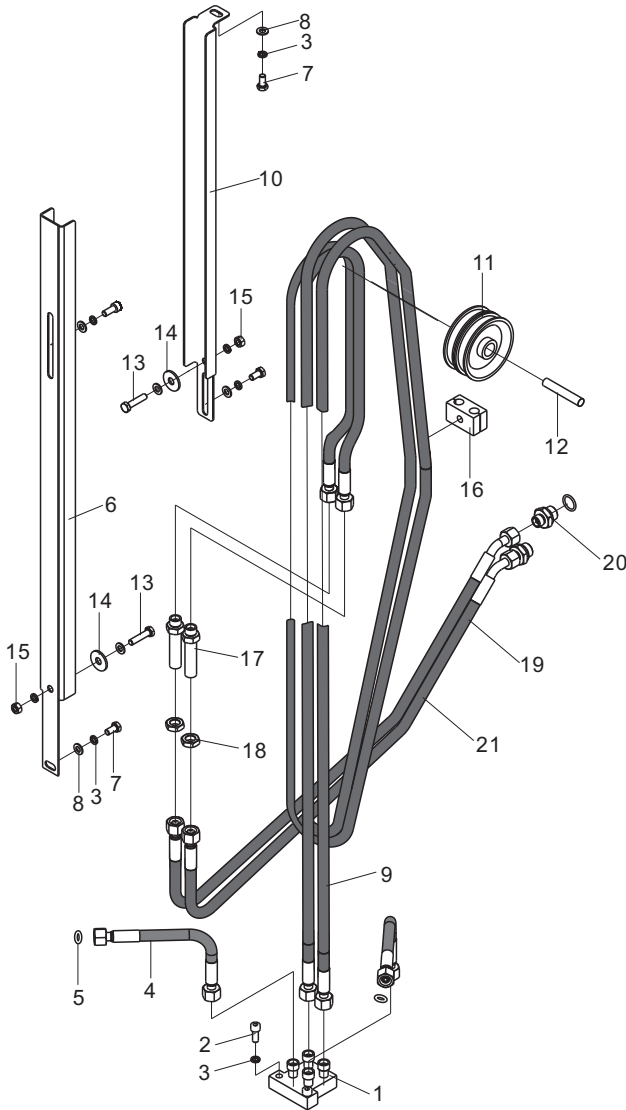
3.5T



高度 Lifting height	3200	3600	4000	4350	4500	4800	5000	5400
序号9胶管 Hose, NO.9	17272009121	17272008633	17272009173	17272009174	17272008635	17272008636	17272008637	17272009179
高度 Lifting height	6000	6500						
序号9胶管 Hose, NO.9	17272009175	17272009176						

门架侧移管路(二级全自由) / Mast sideshift pipe (full free 2-stage mast)

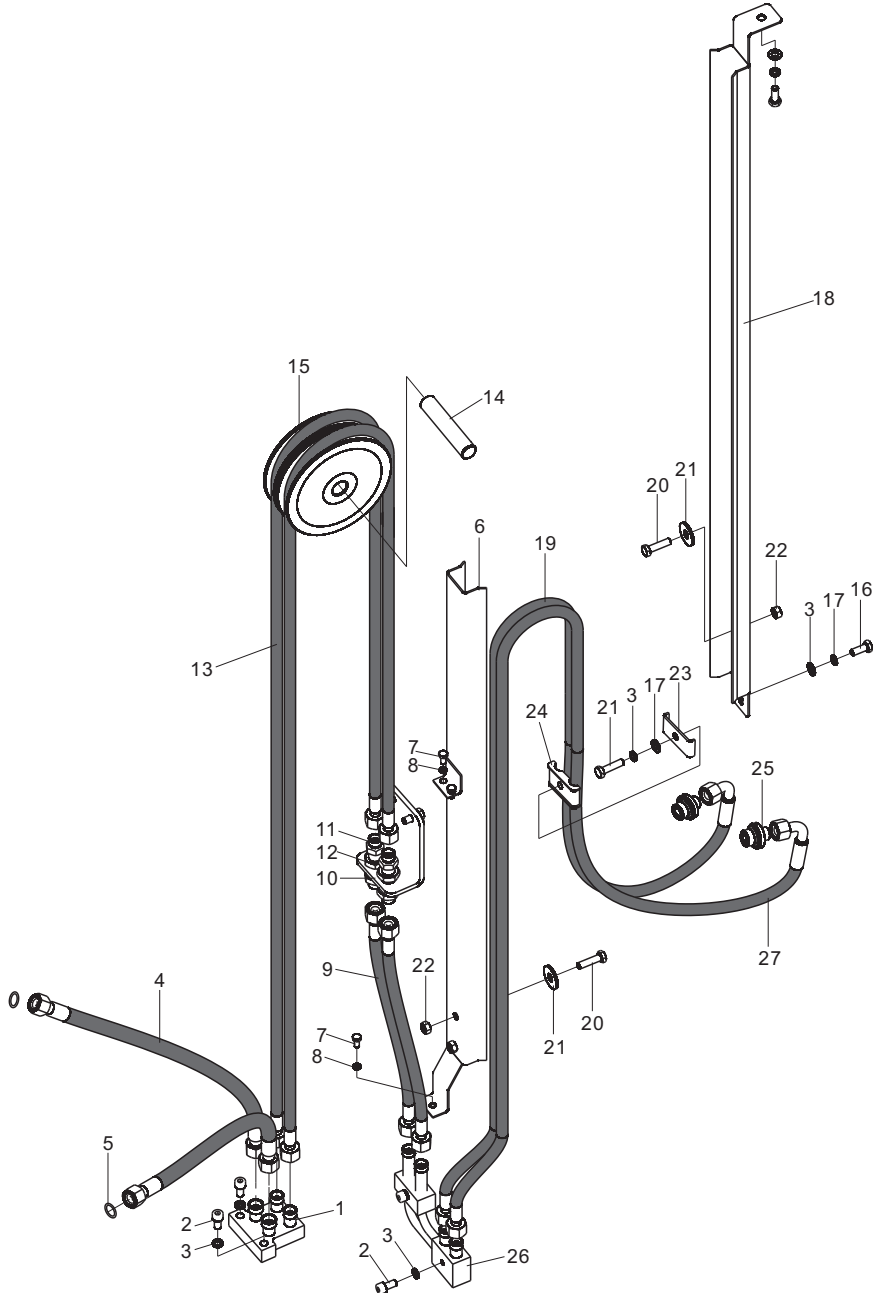
2-2. 5T通用



高度 Lifting height	2000	2500	2750	3000	3300	3500	3750
序号6导向槽 Guide slot, NO.6	30082185429	30082185431	30082185433	30082185428	30082185435	30082185436	30082185439
序号9胶管 Hose, NO.9	17272009633	17272009634	17201000012	17272009635	17201000013	17272009402	17272009402
序号10导向槽 Guide slot, NO.10	30082185448	30082185450	30082185452	30082185447	30082185454	30082185455	30082185458
高度 Lifting height	4000	4250	4500				
序号6导向槽 Guide slot, NO.6	30082185440	30082185441	30082185442				
序号9胶管 Hose, NO.9	17272009609	17272009610	17272009610				
序号10导向槽 Guide slot, NO.10	30082185459	30082185460	30082185461				

门架侧移管路(二级全自由) / Mast sideshift pipe (full free 2-stage mast)

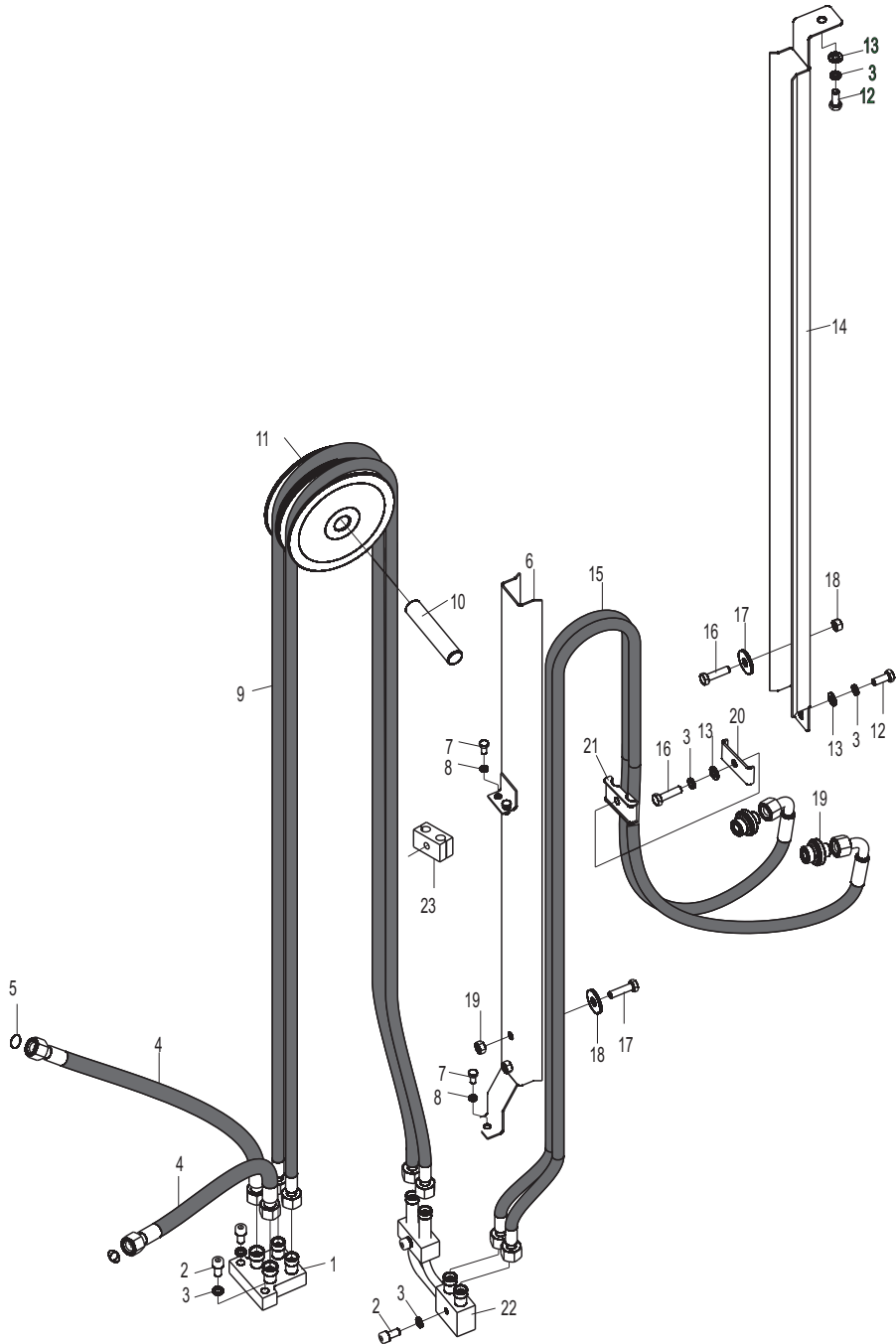
3T



高度 Lifting height	2000	2500	3000	3300	3500	3750	4000
序号6导向槽 Guide slot,NO.6	30082083857	30082083858	30082083859	30082083860	30082083861	30082083862	30082083863
序号13胶管 Hose,NO.13	17272009214	17272009215	17272009216	17272009217	17272009218	17272008727	17272009219
序号18导向槽 Guide slot,NO.18	30082185414	30082185415	30082185416	30082185417	30082185418	30082185419	30082185420
序号19胶管 Hose,NO.19	17272009228	17272009229	17272009230	17272009231	17272009231	17272009232	17272009232
序号27胶管 Hose,NO.27	17272009220	17272009221	17272009222	17272009223	17272009223	17272009224	17272009224

门架侧移管路系统(二级全自由) / Side shifting pipeline system (full free 2-stage mast)

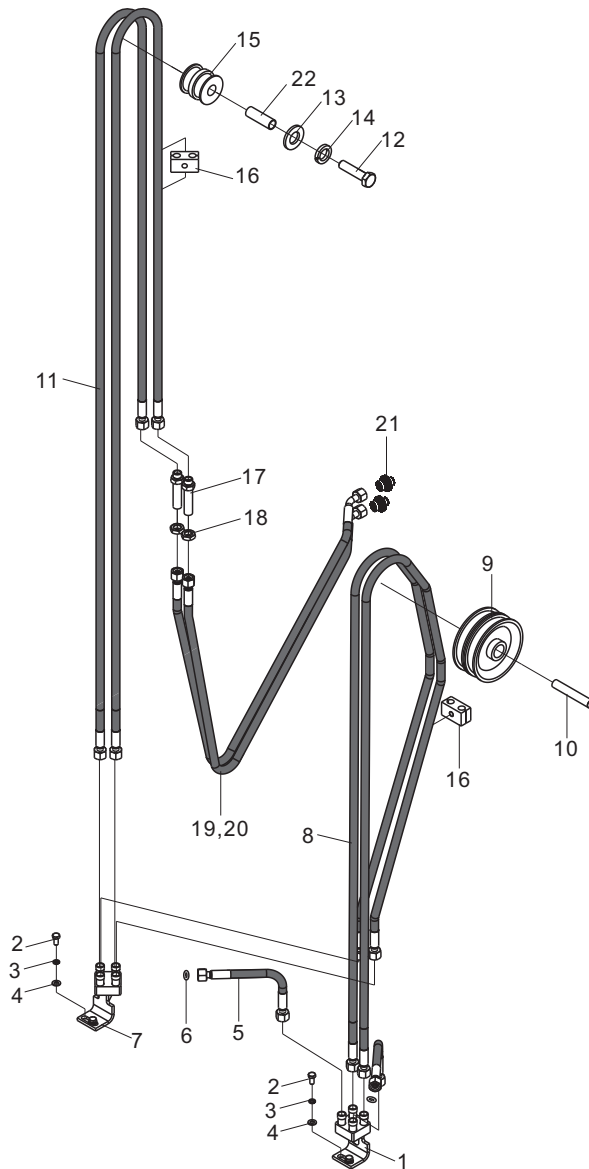
3.5T



高度 Lifting height	2000	2500	2700	3000	3300	3500	3700	4000	4500
序号8导向槽 Guide slot, NO. 6	30082083800	30082083801	30082083802	30082083803	30082083804	30082083805	30082083806	30082083807	30082083808
序号9胶管 Hose, NO. 9	17272006925	17272006928	17272006930	17272006932	17272008558	17272006935	17272008562	17272007667	17272006939
序号14导向槽 Guide slot, NO. 14	30082184609	30082184610	30082184611	30082184612	30082184613	30082184614	30082184615	30082184616	30082184617
序号15胶管 Hose, NO. 15	17272009229	17272009230	17272009230	17272009231	17272009232	17272009232	17272009222	17272009222	17272009223

门架侧移管路(三级全自由) / Mast sideshift pipe (full free 3-stage mast)

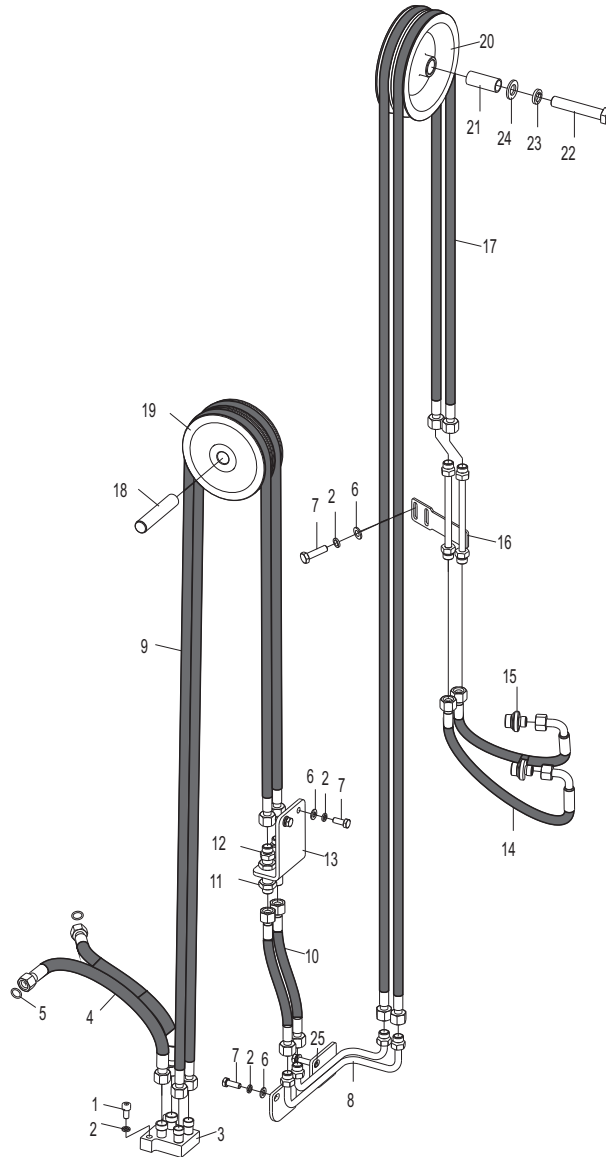
2-2. 5T通用



高度 Lifting height	4000	4350	4500	4800	5000	5400	6000
序号8胶管 Hose, NO.8	17272008726	17272008728	17272008728	17272009872	17272006935	17272009874	17272009875
序号14胶管 Hose, NO.11	17272006935	17272006937	17272006937	17272006939	17272009818	17272007668	17272009871
高度 Lifting height	6500						
序号8胶管 Hose, NO.8	17201000011						
序号14胶管 Hose, NO.11	17272009235						

门架侧移管路(三级全自由) / Mast sideshift pipe (full free 3-stage mast)

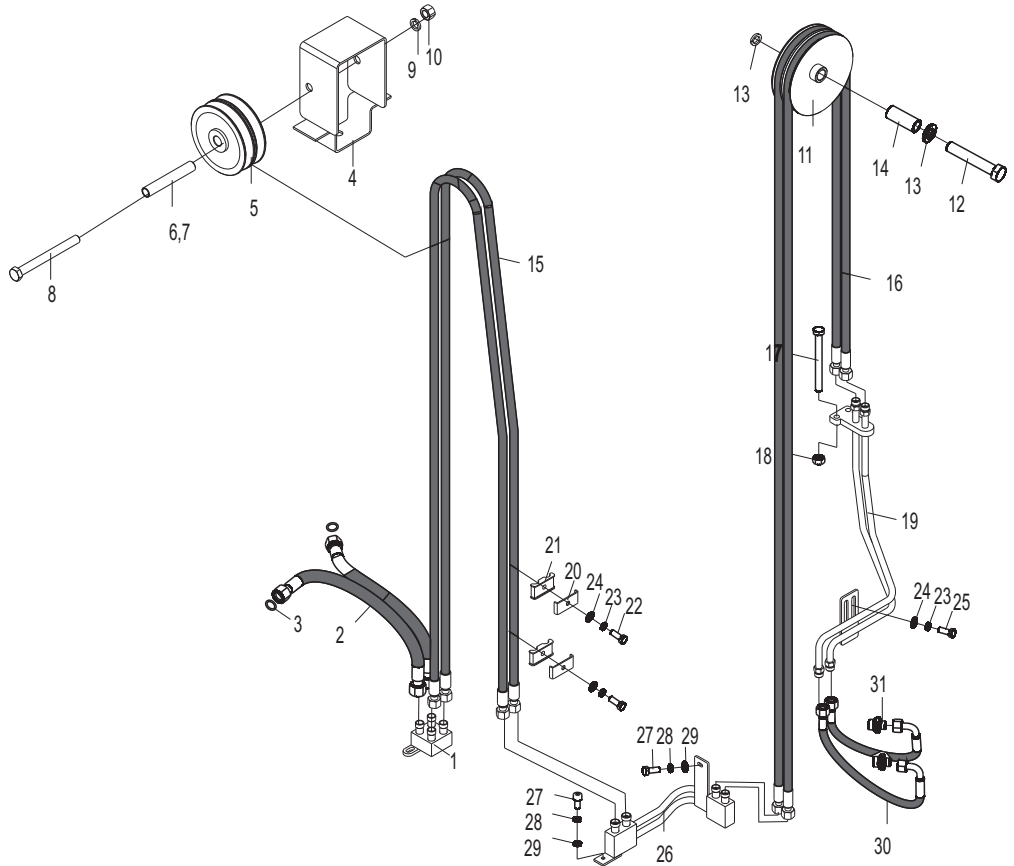
3T



高度 Lifting height	4000	4350	4500	4700	4800	5000	5400
序号17胶管 Hose, NO. 17	17272006932	17272006935	17272008562	17272007667	17272006937	17272006939	17272006940
序号9胶管 Hose, NO. 9	17272006924	17272006926	17272006927	17272006927	17272006928	17272006930	17272008726
高度 Lifting height	5500	6000	6500				
序号17胶管 Hose, NO. 17	17272008734	17272008281	17272006942				
序号9胶管 Hose, NO. 9	17272008726	17272008558	17272008562				

门架侧移管路(三级全自由) / Mast sideshift pipe (full free 3-stage mast)

3. 5T



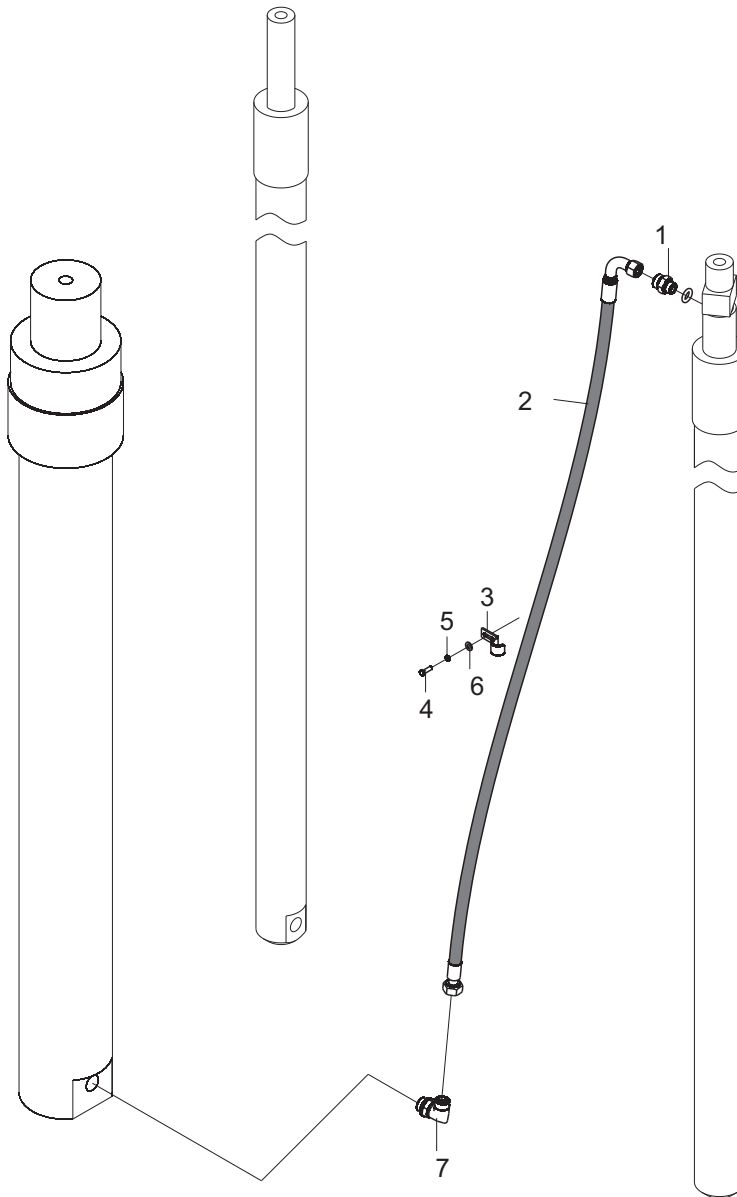
高度 Lifting height	4000	4350	4500	4700	4800	5000	5400
序号15胶管 Hose, NO. 15	17272008633	17272009180	17272010333	17272010333	17272011102	17272010334	17272009174
序号16胶管 Hose, NO. 16	17272011105	17272011106	17272010818	17272011107	17272011108	17272011109	17272011110
高度 Lifting height	5500	6000	6500				
序号15胶管 Hose, NO. 15	17272009174	17272011103	17272010336				
序号16胶管 Hose, NO. 16	17272011111	17272011112	17272011113				

门架侧移管路系统(三级全自由) / Side shifting pipeline system (full free 3-stage mast)

序号 Item No	编 码 Code	图 号 Part No	零 部 件 名 称 Description	数 量 Q'ty	备 注 Remark
1	60911011256	LG0030D.10A.03.05	接头焊合 Connector weldment	1	三联阀用
2	17272005485	LG0030D.10A.03.06	胶管总成 Hose assembly	2	三联阀用
3	56145077501	GB/T3452.1	O形圈8×2.65 O-ring 8×2.65	2	
4	30086084400	LG0040D.10AI.06.01	挡链板焊合 Guide plate weldment	1	
5	30082185208	LG0030D.10B.11-002	滑轮 Pulley	2	
6	30086186505	LG0045D.10A.10-002	套筒 Sleeve	2	
7	30086186508	LG0040D.10AI.06-001	套筒 Sleeve	1	
8	51210133815	GB/T5785	螺栓M16×1.5×160 Bolt M16×1.5×160	1	
9	51401130107	GB/T93	垫圈16 Washer 16	1	
10	51309000719	GB/T6171	螺母M16×1.5 Nut M16×1.5	1	
11	30082185203	LG0030D.10B.03-002	滑轮 Pulley	1	
12	51210132214	GB/T5785	螺栓M16×1.5×80 Bolt M16×1.5×80	1	
13	51421130115	GB/T97.1	垫圈16 Washer 16	2	
14	30088186500	LG0100DT.10C.03-002	套筒 Sleeve	1	
15	17272010333	LG0040D.10BI.08.01	胶管总成(L2350) Hose assembly	2	
16	17272010818	LG0040D.10BI.08.02	胶管总成 Hose assembly	2	
17	51204102614	GB/T5783	螺栓M10×100 Bolt M10×100	2	
18	51307001019	GB/T6170	螺母M10 NutM10	6	
19	30082013341	LG0035DIII.10B.02.01	钢管焊合 Steel tube weldment	1	
20	30012115000	LG0030D.10.13-004	支架 Bracket	2	
21	30082107802	LG0030D.10.13-003	管夹 Clamp	2	
22	51204091214	GB/T5783	螺栓M8×30 Bolt M8×30	2	
23	51401090107	GB/T93	垫圈8 Washer 8	6	
24	51421090115	GB/T97.1	垫圈8 Washer 8	6	
25	51204091014	GB/T5783	螺栓M8×20 Bolt M8×20	4	
26	30086013335	LG0040D.10BI.08.05	钢管焊合 Steel tube weldment	1	
27	51204080914	GB/T5783	螺栓M6×16 Bolt M6×16	2	
28	51401080107	GB/T93	垫圈6 Washer 6	2	
29	51421080115	GB/T97.1	垫圈6 Washer 6	2	
30	17272005537	LG0025D.10.08.05	胶管总成 Hose assembly	2	
31	17601000221	LG0030D.10A.03-001	过渡接头 Transition connector	2	

门架起升管路(二级全自由) / Mast lift pipe (full free 2-stage mast)

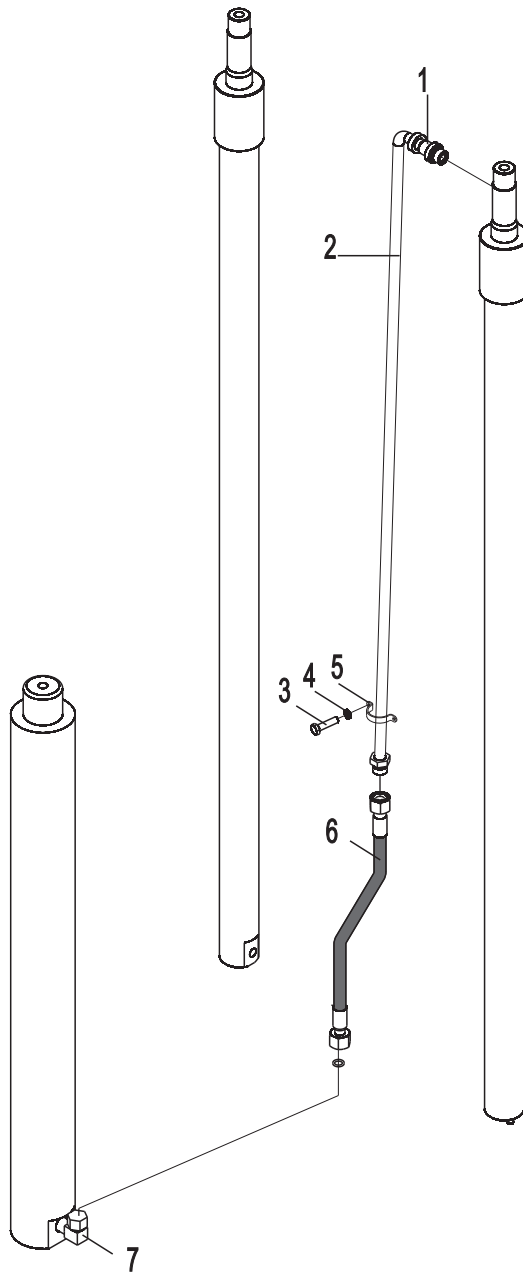
2-3T通用



高度 Lifting height	2000	2500	2750	3000	3300	3500	3750
序号2胶管 Hose.NO.2(2-2.5T)	XXXXXXXXXX						
序号2胶管 Hose.NO.2(3T)	1727201819	1727201820	1727201821	1727201822	1727201823	1727201824	1727201825
高度 Lifting height	4000	4500					
序号2胶管 Hose.NO.2(2-2.5T)							
序号2胶管 Hose.NO.2(3T)	1727201826	1727201827					

门架起升管路系统(二级全自由) / Lift pipe system mast (full free 2-stage mast)

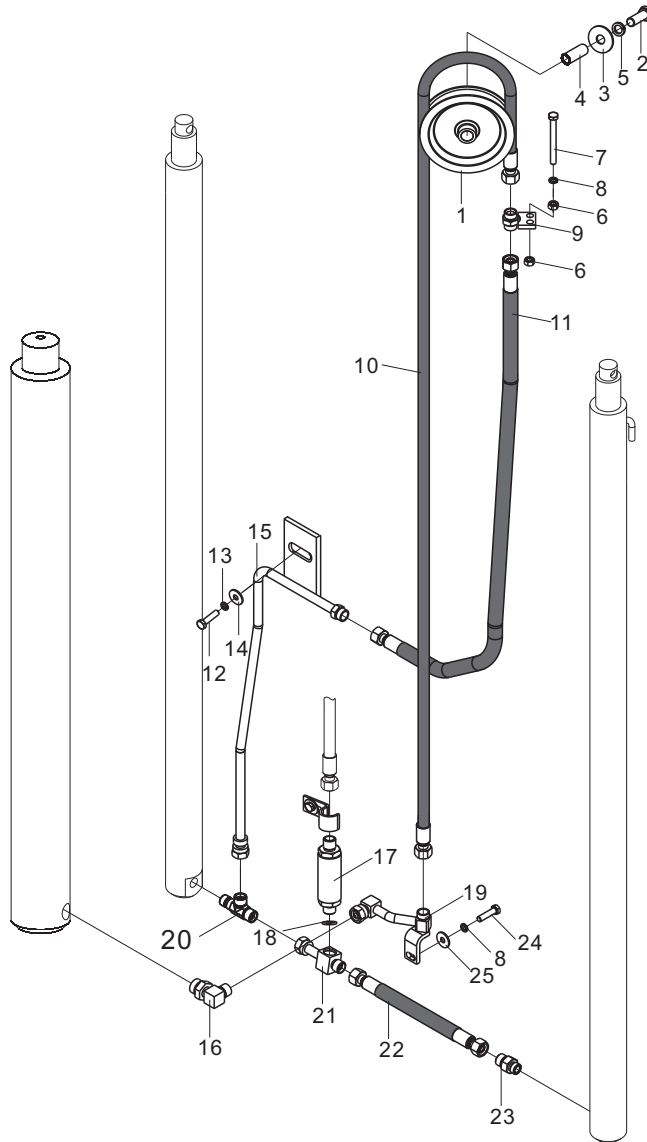
3.5T



高度 Lifting height	2000	2500	2700	3000	3300	3500
序号2钢管 Hose, NO.13	30082013354	30082013356	30082013358	30082013301	30082013361	30082013362
高度 Lifting height	3700	4000	4500			
序号2钢管 Hose, NO.13	30082013367	30082013368	30082013369			

门架起升管路(三级全自由) / Mast lift pipe (full free 3-stage mast)

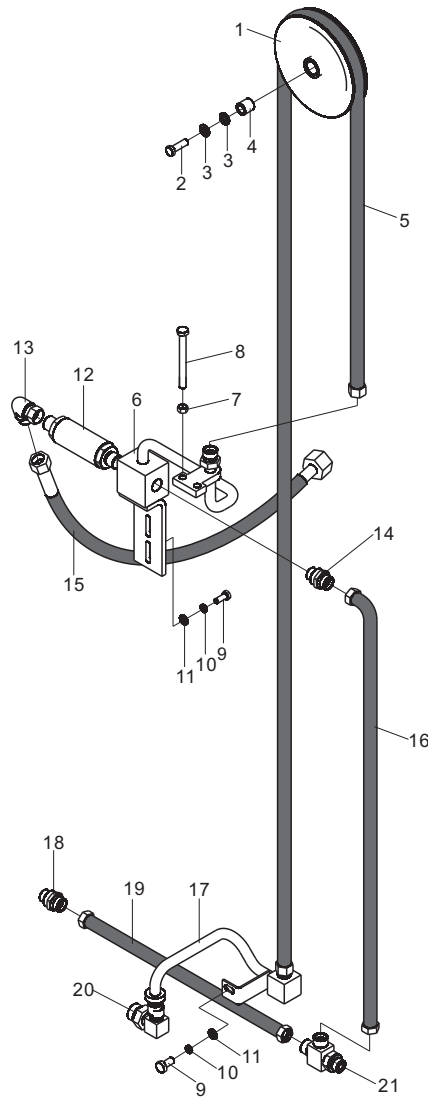
2-2. 5T通用



高度 Lifting height	4000	4350	4500	4800	5000	5400	6000	6500
序号10胶管 Steel pipe, NO.10	17272009863	17272009864	17272009403	17272009865	17272009855	17272009866	17272009867	17272009868
序号11胶管 Steel pipe, NO.11	17272009861	17272009590	17272009590	17272006628	17272004935	17272001148	17272009862	17272001149
备注 Remark			标准					

门架起升管路(三级全自由) / Mast lift pipe (full free 3-stage mast)

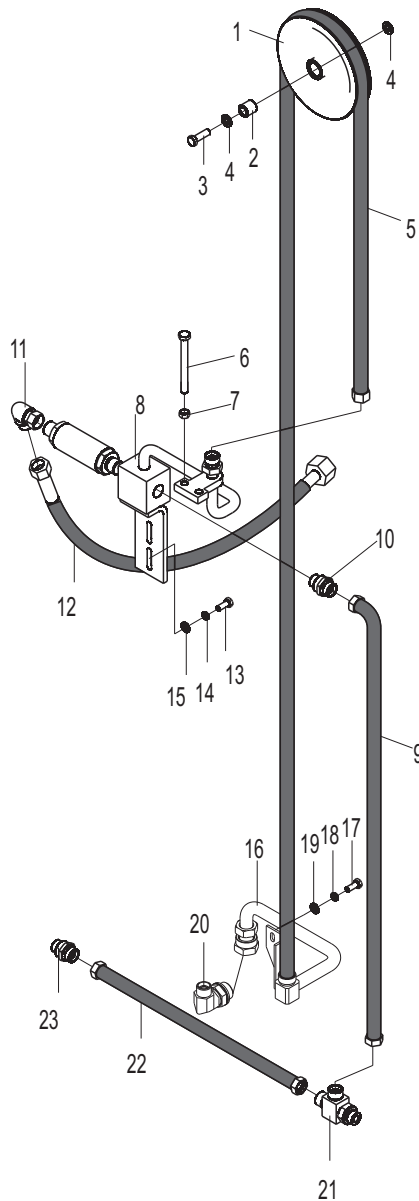
3T



高度 Lifting height	4000	4350	4500	4700	4800	5000	5400
序号6胶管 Hose, NO.6	17272009546	17272008801	17272008802	17272009336	17272008539	17272008540	17272008805
高度 Lifting height	5500	6000	6500				
序号6胶管 Hose, NO.6	17272008543	17272008806	17272008807				
备注 Remark							

门架起升管路(三级全自由) / Mast lift pipe (full free 3-stage mast)

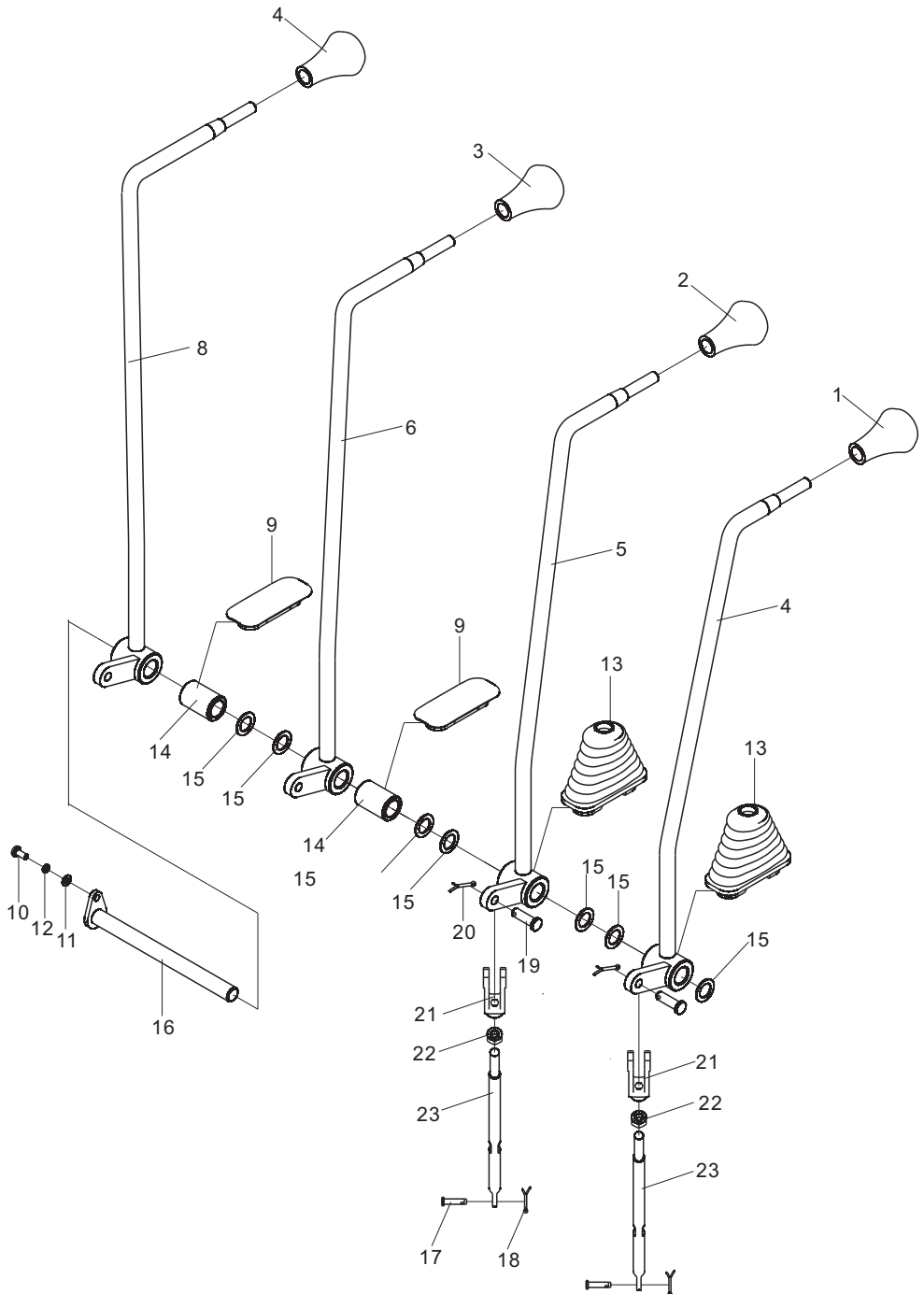
3. 5T



高度 Lifting height	4000	4350	4500	4700	4800	5000	5400
序号6胶管 Hose, NO.6	17272009865	17272009462	17272010817	17272008538	17272008802	17272008803	17272008804
高度 Lifting height	5500	6000	6500				
序号6胶管 Hose, NO.6	17272011119	17272011120	17272011121				
备注 Remark							

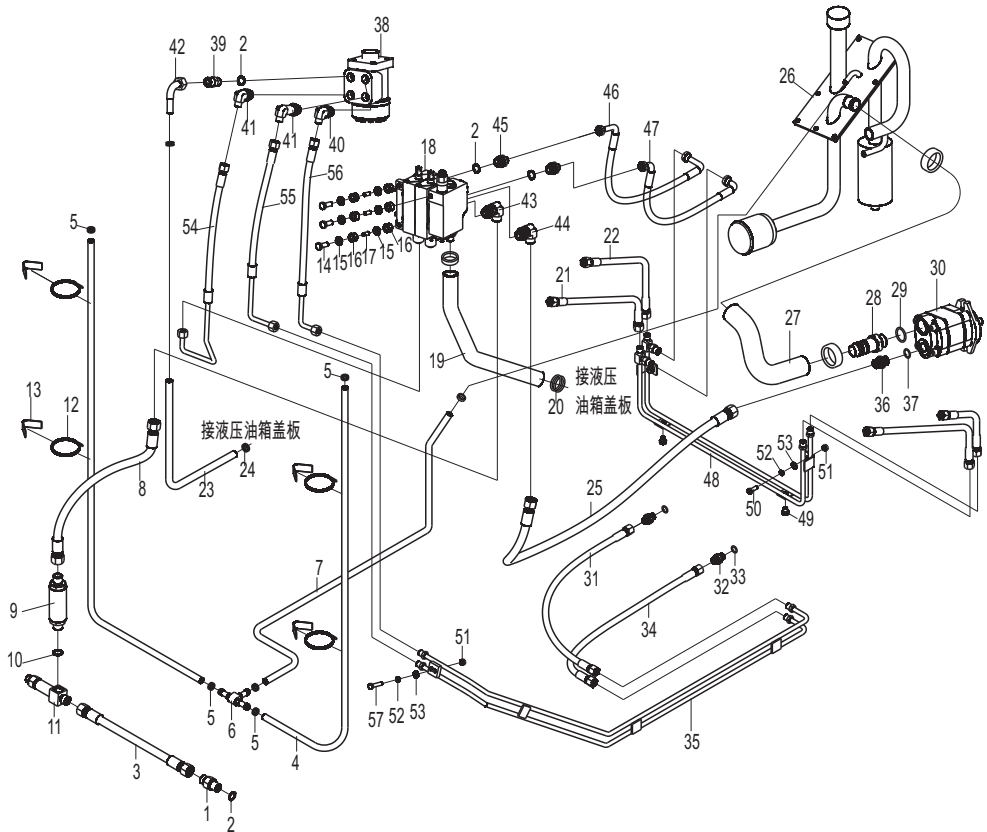
多路阀操纵/Multi-way valve control

通用



液压系统/ Hydraulic system

D、DDA、DIA、DIG、DT、DTDA、DTDB、DTIA、DTIB、DTIH、DTJA、DTJB、DTXB



液压系统/Hydraulic system

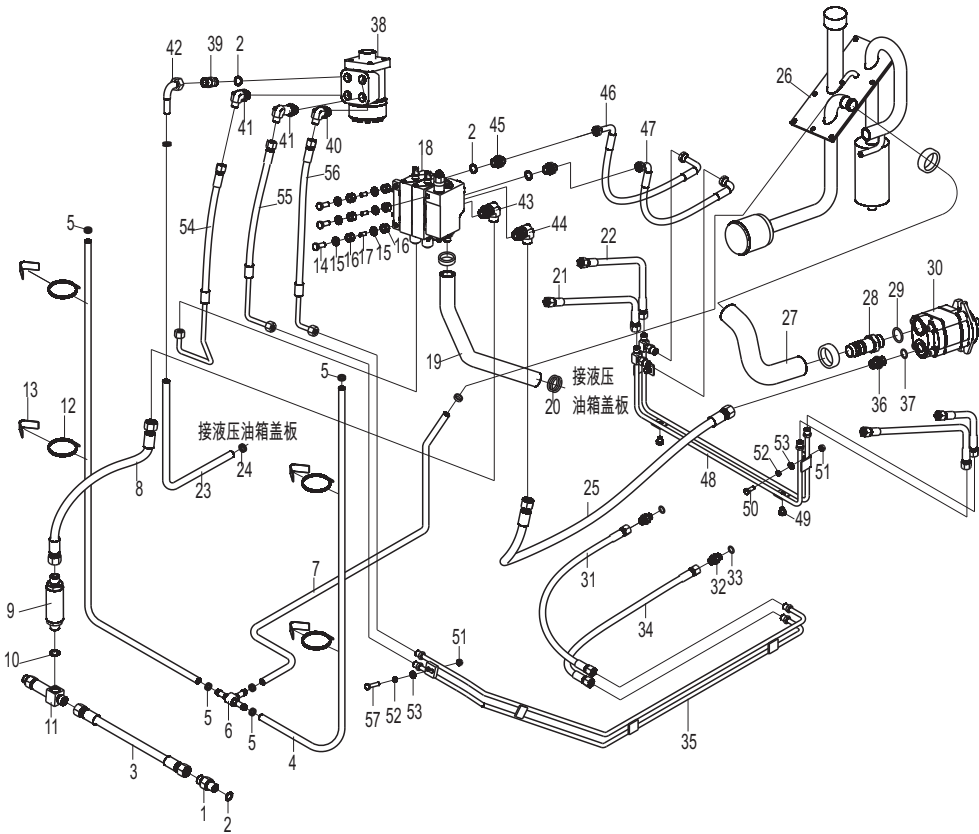
序号 Item No	编 码 Code	图 号 Part No	零 部 件 名 称 Description	数量 Q'ty	备 注 Remark
1	60304000633	30D-1226000	切断阀总成 Cutoff valve assembly	1	
2	56145004805	GB/T3452.1	O形圈17×2.65 O-ring 17×2.65	4	
3	17272002270	30D-1200007	胶管总成(水包布) Hose assembly	1	
4	30012112201	30D-1200008	塑料管 Plastic tube	2	
5	56171000101	JB/T8870	喉箍d16(10~16) Hoop d16(10~16)	6	
6	30012112002	30D-1200011	三通接头 T-connector	1	
7	30012112200	LG0016BE.10B.02-006	塑料管 Plastic tube	1	
8	17272007540	30D-1200044	胶管总成(水包布) Hose assembly	1	2-2.5T GLTND
	17272007540	LG0030DIII.12-038	胶管总成(水包布) Hose assembly	1	除2-2.5T GLTND
9	60304100021	LG0030D.12.01	限速阀 Speed limit valve	1	
10	56145005401	GB/T3452.1	O形圈19×2.65 O-ring 19×2.65	1	
11	60911010771	30D-1200013	三通接头总成 T-connector assembly	1	
12	68080000004	20B-1202016	扎带5×350 Binding tape 5×350	4	
13	60911010924	LG0030D.12-020	回油管布夹 Cloth clip	4	
14	51207105314	GB/T5786	螺栓M10×1.25×35 Bolt M10×1.25×35	3	
15	51420100121	GB/T96.1	垫圈10 Washer 10	6	
16	30012113903	LG0030D.12-018	橡胶垫 Rubber pad	6	
17	30012112300	LG0030D.12-019	套管 Double pipe	3	
18	60911010956	20D-1201000	多路阀 T-connector	1	
19	30001106089	LG0030DIII.12-044	成型管 Molding pipe	1	
20	56171000601	JB/T8870	喉箍d50(32~50) Clip d50(32~50)	4	
21	17272005777	LG0030D.12-015	胶管总成 Hose assembly	2	
22	17272006998	LG0030DIII.12-021	胶管总成 Hose assembly	2	
23	30012187935	LG0040D.12.06-002	回油管 Oil return pipe	1	
24	56171000301	JB/T8870	喉箍d32(20~32) Clip d32(20~32)	2	
25	17272002271	30D-1200019	胶管总成(水包布) Hose assembly	1	
26	30012073011	LG0030DIII.12.14	液压油箱盖板总成 Cover plate assembly	1	
27	30012106007	LG0030DIII.12-009	成型管 Molding pipe	1	D(T)/DTIH/DTXB
	30012106010	LG0030DTJAIII.12-001	成型管 Molding pipe	1	D(T)DTXB/DTJA/DTJB
	30012106015	LG0030DTIHIII.12-001	成型管 Molding pipe	1	DIG/DTIH
	30012106012	LG0035GLTNDIII.12-002	成型管 Molding pipe	1	GLT/GT/G系列
	30012106014	LG0030DTDAIII.12-003	成型管 Molding pipe	1	DDA/DTDA/DTDB
	30012106020	LG0030GLTPBIII.12-001	成型管 Molding pipe	1	GLTPB
28	17601000554	30D-1200023	过渡接头 Transition connector	1	
29	56145008301	GB/T3452.1	O形圈30×3.55 O-ring 30×3.55	1	
30	60301000094	CBHZ-F32-ALH6L	齿轮泵 Gear pump	1	D(T)DTXB机型

液压系统/Hydraulic system

序号 Item No	编 码 Code	图 号 Part No	零 部 件 名 称 Description	数量 Q'ty	备 注 Remark
	60301000271	LG0025DTIA.12.01	齿轮泵 Gear pump	1	DTJA/DTJB/ DIA/DTIA/DTIB
	60301000209	LG0030GLT.12.01	齿轮泵 Gear pump	1	DDA/DTDA/DTDB/ DIG/DTIH/GLT系列
	60300000104	LG0030GLTPB III.12.01	齿轮泵 Gear pump	1	GLTPB
31	17272006860	LG0025D III.12-001	胶管总成(水包布) Gear Hose assembly	1	2-2.5T
	17272008048	LG0030D III.12-039	胶管总成(水包布) Hose assembly	1	3-3.5T
32	17601000007	30D-1200027	过渡接头 Transision connector	2	
33	56145004001	GB/T3452.1	O形圈13.2×2.65 O-ring 13.2×2.65	2	
34	17272008589	LG0025D III.12-002	胶管总成(水包布) Hose assembly	1	2-2.5T
	17272008049	LG0030D III.12-040	胶管总成(水包布) Hose assembly	1	3-3.5T
35	30012013037	LG0030D III.12.15	钢管焊合 Steel pipe weldment	1	
36	17601000141	30D-1200024	过渡接头 Transition connector	1	
37	56145005101	GB/T3452.1	O形圈18×2.65 O-ring 18×2.65	1	
38	60305000044	LG0030D III.12.06	转向器 Steer gear	1	
39	17601000240	30D-1200002	过渡接头 Transition connector	1	
40	30012008307	LG0030D III.12.10	过渡接头 Transition connector	1	
41	17601000286	30D-1204000	过渡接头 Transition connector	2	
42	30012008309	LG0030D III.12.16	过渡接头 Transition connector	1	
43	30012008306	LG0030D III.12.09	过渡接头 Transition connector	1	
44	17601000300	30D-1215000	过渡接头 Transition connector	1	
45	17601000212	30D-1200001	过渡接头 Transition connector	2	
46	17272008046	LG0030D III.12-041	胶管总成 Hose assembly	1	
47	17272008047	LG0030D III.12-042	胶管总成 Hose assembly	1	
48	30012013036	LG0030D III.12.12	钢管焊合 Steel pipe weldment	1	
49	30012117300	LG0030D III.12-014	缓冲垫 Bumping cushion	2	
50	51204091014	GB/T5783	螺栓M8×20 Bolt M8×20	2	
51	51307000919	GB/T6170	螺母M8 Nut M8	4	
52	51401090107	GB/T93	垫圈8 Washer 8	4	
53	51421090115	GB/T97.1	垫圈8 Washer 8	6	
54	30012114500	LG0030D III.12-027	胶管总成 Hose assembly	1	
55	30012114501	LG0030D III.12-028	胶管总成 Hose assembly	1	
56	30012114502	LG0030D III.12-029	胶管总成 Hose assembly	1	
57	51204091714	GB/T5783	螺栓M8×55 Bolt M8×35	1	

液压系统/Hydraulic system

DTMA、DTMB、DTHB、DTEB

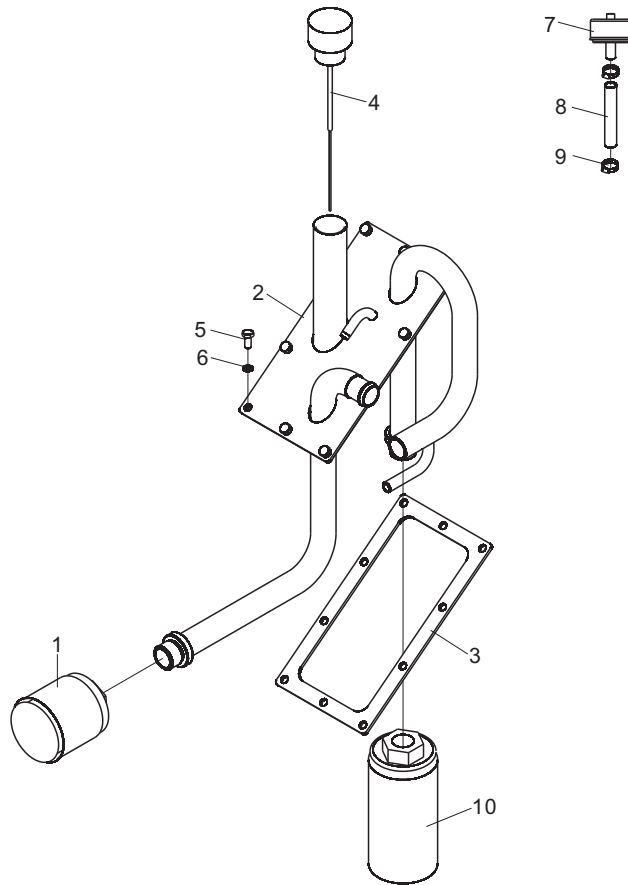


液压系统/Hydraulic system

序号 Item No	编 码 Code	图 号 Part No	零部件名称 Description	数量 Q'ty	备 注 Remark
1	60304000633	30D-1226000	切断阀总成 Cutoff valve assembly	1	
2	56145004805	GB/T3452.1	O形圈17×2.65 O-ring 17×2.65	4	
3	17272002270	30D-1200007	胶管总成(水包布) Hose assembly	1	
4	30012112201	30D-1200008	塑料管 Plastic tube	2	
5	56171000101	JB/T8870	喉箍d16(10~16) Hoop d16(10~16)	6	
6	30012112002	30D-1200011	三通接头 T-connector	1	
7	30012112200	LG0016BE.10B.02-006	塑料管 Plastic tube	1	DTMA/DTMB
	30012112206	30D-1200008	塑料管 Plastic tube	1	DTHB/DTHD
8	17272007540	LG0030DIII.12-038	胶管总成(水包布) Hose assembly	1	
9	60304100021	LG0030D.12.01	限速阀 Speed limit valve	1	
10	56145005401	GB/T3452.1	O形圈19×2.65 O-ring 19×2.65	1	
11	60911010771	30D-1200013	三通接头总成 T-connector assembly	1	
12	68080000004	20B-1202016	扎带5×350 Binding tape 5×350	4	
13	60911010924	LG0030D.12-020	回油管布夹 Cloth clip	4	
14	51207105314	GB/T5786	螺栓M10×1.25×35 Bolt M10×1.25×35	3	
15	51420100121	GB/T96.1	垫圈10 Washer 10	6	
16	30012113903	LG0030D.12-018	橡胶垫 Rubber pad	6	
17	30012112300	LG0030D.12-019	套管 Double pipe	3	
18	60911010956	20D-1201000	多路阀 T-connector	1	
19	30001106089	LG0030DIII.12-044	成型管 Molding pipe	1	
20	56171000601	JB/T8870	喉箍d50(32~50) Clip d50(32~50)	4	
21	17272005777	LG0030D.12-015	胶管总成 Hose assembly	2	
22	17272006998	LG0030DIII.12-021	胶管总成 Hose assembly	2	
23	30012187935	LG0040D.12.06-002	回油管 Oil return pipe	1	
24	56171000301	JB/T8870	喉箍d32(20~32) Clip d32(20~32)	2	
25	17272010113	LG0030DTMAIII.12-002	胶管总成 Hose assembly	1	
26	30012073011	LG0030DIII.12.14	液压油箱盖板总成 Cover plate assembly	1	
27	30012106017	LG0030DTMAIII.12-001	成型管 Molding pipe	1	DTMA/DTMB
	60100002146	LG0030DTHBIII.12-001	成型管 Molding pipe	1	DTHB/DTHD
28	17601000554	30D-1200023	过渡接头 Transition connector	1	
29	56145008301	GB/T3452.1	O形圈30×3.55 O-ring 30×3.55	1	
30	60301000271	LG0025DTIA.12.01	齿轮泵 Gear pump	1	DTMA/DTMA/DTHB
	60300002678	LG0030DTHDIII.12.01	齿轮泵 Gear pump	1	DTHD
31	17272008048	LG0030DIII.12-039	胶管总成(水包布) Hose assembly	1	
32	17601000007	30D-1200027	过渡接头 Transision connector	2	
33	56145004001	GB/T3452.1	O形圈13.2×2.65 O-ring 13.2×2.65	2	

液压油箱盖板总成/Hydraulic oil tank cover plate

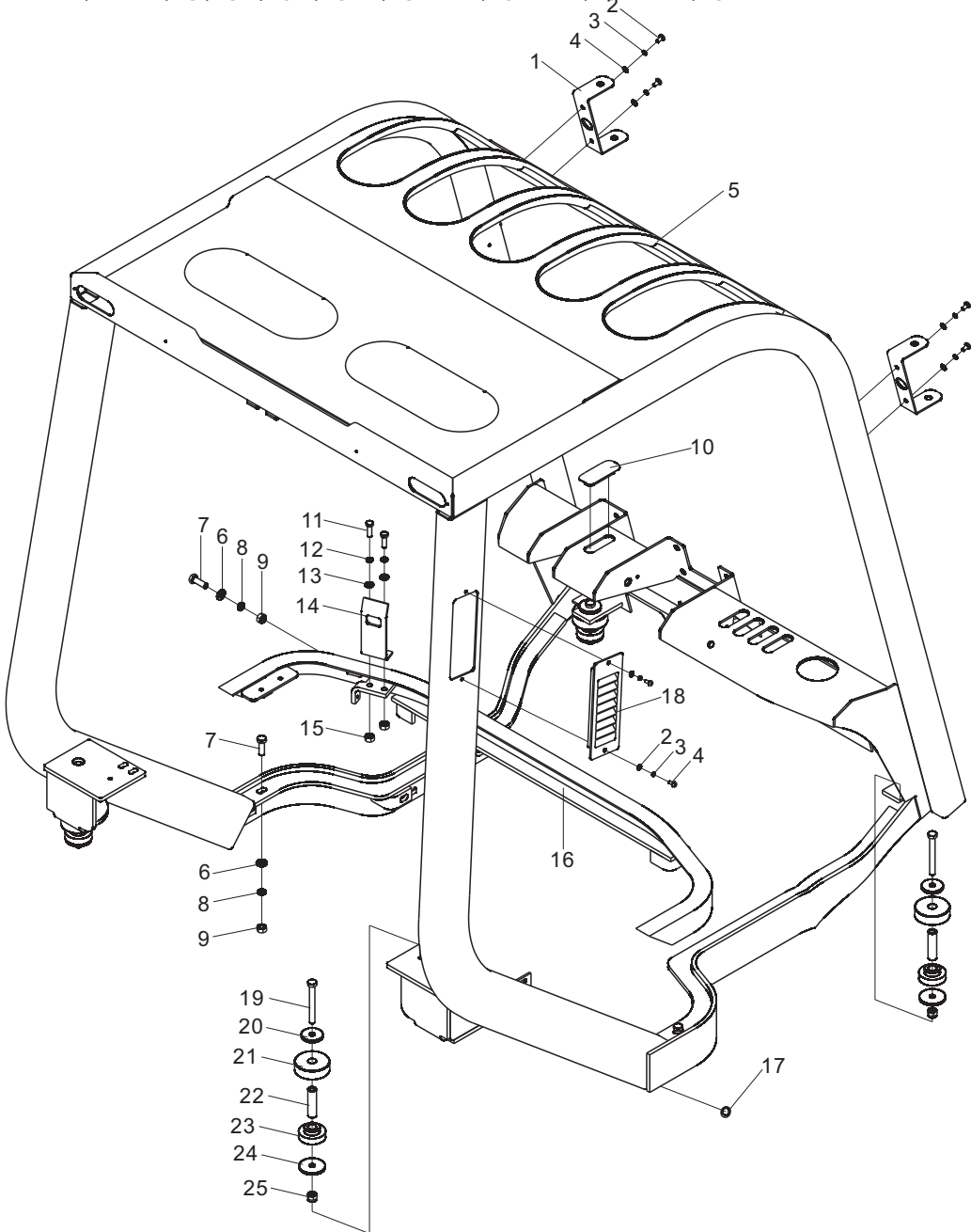
通用



序号 Item No	编 码 Code	图 号 Part No	零部件名称 Description	数量 Q'ty	备 注 Remark
1	30012015102	LG0060DT.12.11.04	滤油器总成 Oil filter assembly	1	
2	30012072823	LG0030D III.12.14.03	液压油箱盖板焊合 Cover plate weldment	1	
3	30001111500	LG0030D III.01.02-001	密封垫 Seal gasket	1	
4	30012026203	LG0030D III.12.14.02	油尺总成 Oil dip stick assembly	1	
5	51204090914	GB/T5783	螺栓M8X16 Bolt M8×16	10	
6	51401090107	GB/T93	垫圈8 Washer 8	10	
7	30012071501	LG0060DT.12.11.03	呼吸器总成 Breather assembly	1	
8	30012109203	LG0030D.12.04-002	塑料管 Plastic tube	1	
9	56171000101	JB/T8870	喉箍d16(10~16) Hoop d16(10~16)	2	
10	30012023303	LG0030D III.12.14.04	滤油器总成 Oil filter assembly	1	

护顶架/Overhead guard

D、DT、DDA、DIA、DIG、DQE、DTIA、DTIB、DTDA、DTDB、DTGA、DTIG、DTIH、DTJA、DTJB、DTQA、DTQB、DTQE、DTXB、DTXC、DTXK、DTXL、DTXP、DTXN、DTMA、DTMB、DTSB、G、GL、GT、GLT、GLTPB、GLTND、GNTND、GTND

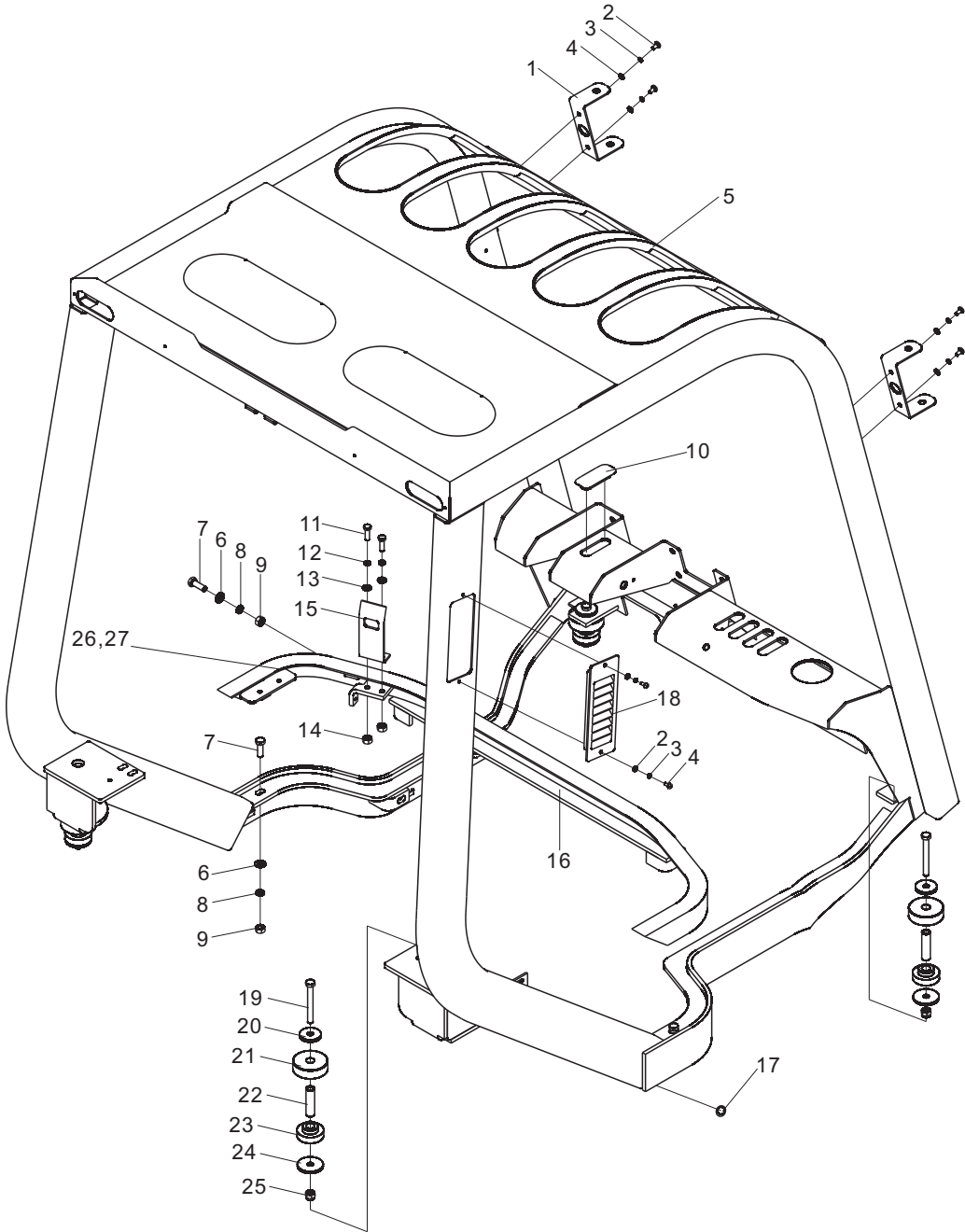


护顶架/Overhead guard

序号 Item No	编 码 Code	图 号 Part No	零部件名称 Description	数量 Q'ty	备 注 Remark
1	30014115002	30D-1400008	支架 Bracket	2	
2	51158190304	GB/T818	螺钉M6×12 Plug M6×12	6	
3	51401080107	GB/T93	垫圈6 Washer 6	6	
4	51421080115	GB/T97.1	垫圈6 Washer 6	6	
5	30014058511	LG0030DIII.14.01	护顶架焊合 Overhead guard weldment	1	DTSB之外机型
	30014058541	LG0030DTSBIII.14.01	护顶架焊合 Overhead guard weldment	1	DTSB
6	51401100107	GB/T93	垫圈10 Washer 10	4	
7	51204101214	GB/T5783	螺栓M10×30 Bolt M10×30	4	
8	51421100115	GB/T97.1	垫圈10 Washer 10	4	
9	51307001019	GB/T6170	螺母M10 Nut M10	4	
10	30011149501	LG0030B.11-002	防尘盖 Dust cap	1	
11	51204091114	GB/T5783	螺栓M8×25 Bolt M8×25	2	
12	51421090115	GB/T97.1	垫圈8 Washer 8	2	
13	51401090107	GB/T93	垫圈8 Washer 8	2	
14	30014018148	LG0030DIII.14.08	支架焊合 B	1	
15	51307000919	GB/T6170	螺母M8 Nut M8	2	
16	30014058307	LG0030DIII.14.04	支撑焊合 Support weldment	1	
17	60980000548	30D-0900013	孔保护套 Rubber gasket	1	
18	30014168800	LG0030D.14-003	进气罩 Air inlet hood	1	
19A	30014057001	LG0030DIII.14.05	减震垫总成 Rubber gasket assembly	4	含19-25项
19	51203102714	GB/T5782	螺栓M10×85 Bolt M10×85	4	
20	30001106404	LG0075DTG.01.05-001	垫圈 Washer	4	
21	30014109003	LG0030DIII.14.05-001	减震垫 Rubber gasket	4	
22	30014107415	LG0030DIII.14.05-002	钢管 Sleeve	4	
23	30014109004	LG0030DIII.14.05-003	减震垫 Rubber gasket	4	
24	30001106402	30D-0152001	垫圈 Washer	4	
25	51341000619	GB/T889.1	螺母M10 Nut M10	4	

护顶架/Overhead guard

DTHB、DTHD

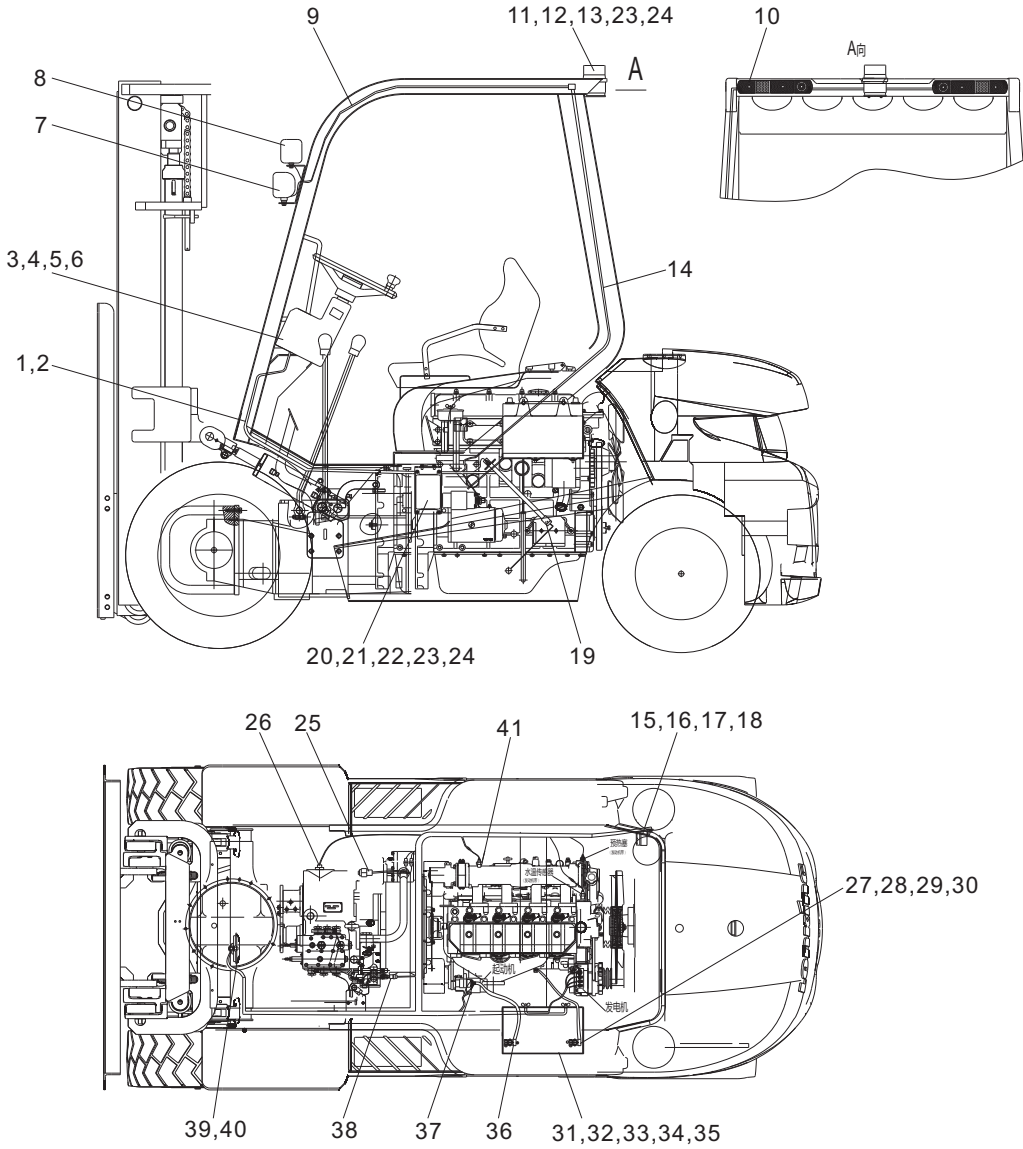


护顶架/Overhead guard

序号 Item No	编 码 Code	图 号 Part No	零部件名称 Description	数量 Q'ty	备 注 Remark
1	30014115002	30D-1400008	支架 Bracket	2	
2	51158190304	GB/T818	螺钉M6×12 Plug M6×12	6	
3	51401080107	GB/T93	垫圈6 Washer 6	6	
4	51421080115	GB/T97.1	垫圈6 Washer 6	6	
5	30014058511	LG0030DIII.14.01	护顶架焊合 Overhead guard weldment	1	
6	51401100107	GB/T93	垫圈10 Washer 10	4	
7	51204101214	GB/T5783	螺栓M10×30 Bolt M10×30	4	
8	51421100115	GB/T97.1	垫圈10 Washer 10	4	
9	51307001019	GB/T6170	螺母M10 Nut M10	4	
10	30011149501	LG0030B.11-002	防尘盖 Dust cap	1	
11	51204091114	GB/T5783	螺栓M8×25 Bolt M8×25	4	
12	51421090115	GB/T97.1	垫圈8 Washer 8	4	
13	51401090107	GB/T93	垫圈8 Washer 8	4	
14	51307000919	GB/T6170	螺母M8 Nut M8	2	
15	30014018148	LG0030DIII.14.08	支架焊合 Bracket weldment	1	
16	30014058307	LG0030DIII.14.04	支撑焊合 Support weldment	1	DTHB
	30014058317	LG0030DTHDIII.14.01	支撑焊合 Support weldment	1	DTHD
17	60980000548	30D-0900013	孔保护套 Orifice sheath	1	
18	30014168800	LG0030D.14-003	进气罩 Air inlet hood	1	
19A	60700000449	LG0030DTHBIII.14.05	减震垫总成 Rubber gasket	4	含19-25 DTHB
	30014057001	LG0030DIII.14.05	减震垫总成 Rubber gasket	4	含19-25 DTHD
19	51203102714	GB/T5782	螺栓M10×85 Bolt M10×85	4	
20	30001106404	LG0075DTG.01.05-001	垫圈 Washer	4	
21	60700000440	LG0030DTHBIII.14.05-001	减震垫 Rubber gasket	4	DTHB
	30014109003	LG0030DIII.14.05-001	减震垫 Rubber gasket	4	DTHD
22	30014107415	LG0030DIII.14.05-002	钢管 Steel tube	4	
23	60700000441	LG0030DTHBIII.14.05-003	减震垫 Rubber gasket	4	DTHB
	30014109004	LG0030DIII.14.05-003	减震垫 Rubber gasket	4	DTHD
24	30001106402	30D-0152001	垫圈 Washer	4	
25	51341000619	GB/T889.1	螺母M10 Nut M10	4	
26	30014159221	LG0030DTHBIII.14-001	密封条 Seal gasket	1	DTHB
27	30014159222	LG0030DTHBIII.14-002	密封条 Seal gasket	2	DTHB

电气系统/Electric system

D,DT,DTXB



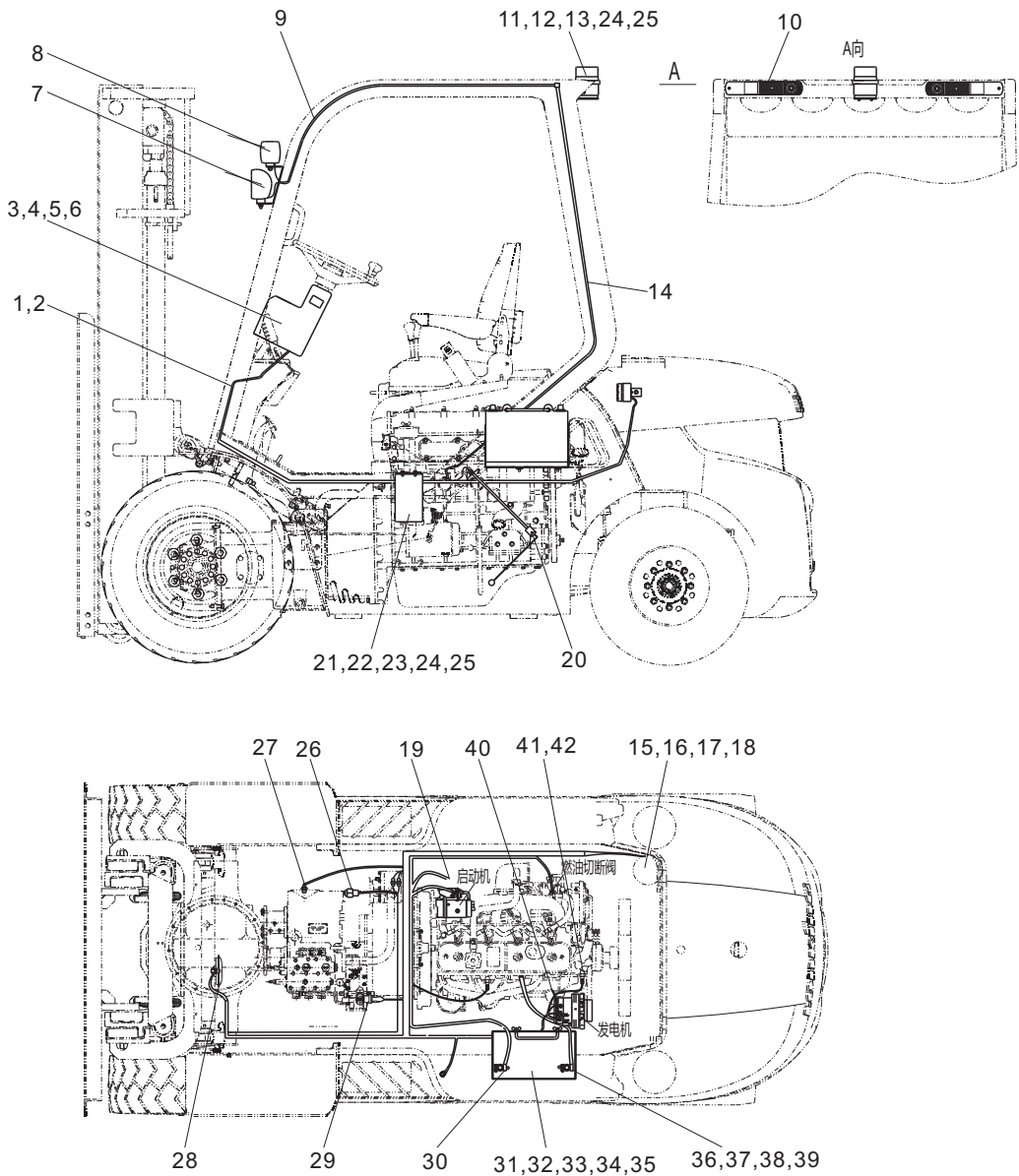
电气系统/Electric system

序号 Item No	编 码 Code	图 号 Part No	零部件名称 Description	数量 Q'ty	备 注 Remark
1	30015067602	LG0030DIII.15.01	线束总成 Harness	1	
2	60980000547	30D-1500001	扎带4×300 Binding tape 4×300	13	
3	30015163414	LG0030DT.15-001	仪表 Instrument assembly	1	
4	51204081214	GB/T5783	螺栓M6×30 Bolt M6×30	4	
5	51430080114	GB/T5287	垫圈6 Washer 6	4	
6	60405020047	LG0030D.15-003	组合开关 Combination switch	1	D(T)机型
	60980002622	LG0030DTIH.15-001	组合开关 Combination switch	1	DTXB机型
7	60405020128	LG0030D.15-005	警示灯开关 Working lamp	1	
8	30015064200	LG0030D.15.01	工作灯 Front combination lamp	2	
9	60980000270	30D-0900011	过线圈 Overhead guard harness	2	
10	30015067101	LG0030D.15.02	前组合灯 Rear combination lamp	2	
11	30015064504	LG0030DIII.15.07	护顶架线束 Supporting plate	2	
12	30015064400	LG0030D.15.08	后组合灯 Warning lamp	2	
13	30008133529	LG0030DTIHIII.15-001	支板 Screw M6×12	1	
14	30015064403	LG0030B.15.19	警示灯 Lamp harness	1	
15	30015061306	LG0030DIII.15.04	灯具线束 Backup alarm buzzer	1	
16	60402020101	LG0030D.15-007	倒车蜂鸣器 Bolt M8×16	1	
17	51204090914	GB/T5783	螺栓M8×16 Washer 8	6	
18	51401090107	GB/T93	垫圈8 Washer 8	2	
19	51421090115	GB/T97.1	垫圈8 Oil capacity sensor	6	
20	30015163604	LG0030DIII.15-002	油量传感器 Fixed plate	1	
21	30015018502	LG0030DIII.15.03	支架总成 Control box	1	
22	51204080914	GB/T5783	螺栓M6×16 Screw M6×16	2	
23	51401080107	GB/T93	垫圈6 Washer 6	4	
24	51421080115	GB/T97.1	垫圈6 Washer 6	4	
25	30015066320	LG0030DTXBIII.15.02	连接线束 Connecting wiring harness	1	DTXB
26	30015163702	LG0030DTIII.15-001	温度报警开关 Temperature sensor	1	DTXB
27	30015061501	LG0030DIII.15.05	地线电缆 Ground cable	1	
28	51204101014	GB/T5783	螺栓M10×20 Bolt M10×20	1	
29	51401100107	GB/T93	垫圈10 Washer 10	1	
30	51421100115	GB/T97.1	垫圈10 Washer 10	1	
31A	30015068007	LG0030DIII.15.02	蓄电池盒总成 Battery box assembly	1	含17, 19, 23, 24, 31-35项
31	60401030028	LG0030D.15.05.01	蓄电池 Battery	1	
32	30015160702	LG0030DIII.15.02-001	电瓶支架底板 Bottom plate of cross bracket	1	
33	30015161300	LG0030D.15.05-001	卡子 Clip	1	
34	51354000404	GB/T62.1	螺母M6 Nut M6	2	

电气系统 / Electric system

LG-20DTIB, 25DTIB, 20DTJA, 20DTJB, 25DTJA, 25DTJB, 30DTDA, 30DTDB

LG-30DTIH, 30DTJA, 30DTJB, 35DTDA, 35DTDB, 35DTIH, 35DTJA, 35DTJB

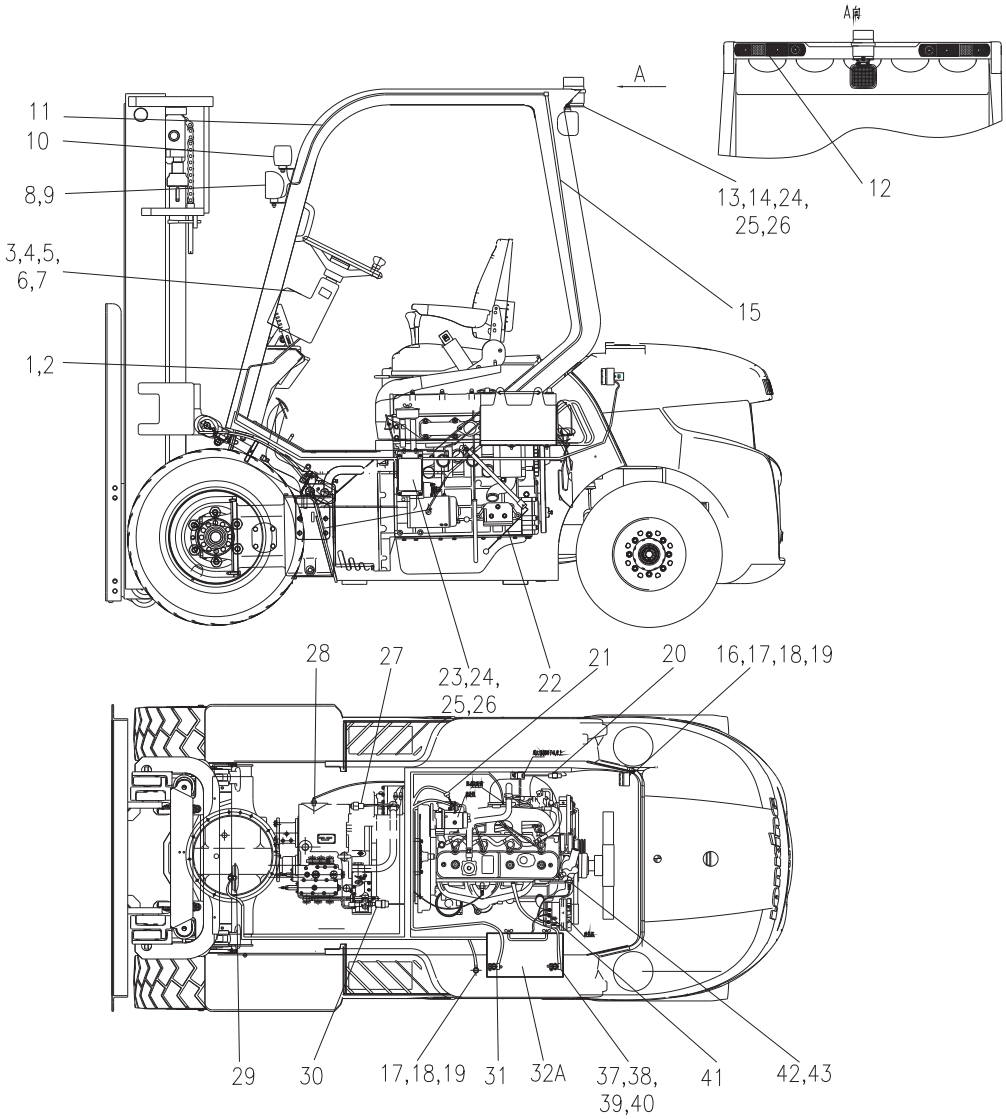


电气系统/Electric system

序号 Item No	编 码 Code	图 号 Part No	零 部 件 名 称 Description	数量 Q'ty	备 注 Remark
1	30015067606	LG0030DTIH.III.15.01	线束 Harness	1	
2	60980000547	30D-1500001	扎带4X300 Binding tape 4×300	13	
3	30015163414	LG0030DT.15-001	仪表总成 Instrument assembly	1	
4	51204081214	GB/T5783	螺栓M6X30 Bolt M6×30	4	
5	51430080114	GB/T5287	垫圈6 Washer 6	4	
6	60405020047	LG0030D.15-003	组合开关 Combination switch	1	DTDA/DTJA机型
	60980002622	LG0030DTIH.15-001	组合开关 Combination switch	1	DTDB/DTJB/DTIH DTIB机型
7	30015064200	LG0030D.15.01	工作灯 Working lamp	2	
8	30015067101	LG0030D.15.02	前组合灯 Front combination lamp	2	
9	30015064504	LG0030D.III.15.07	护顶架线束 Overhead guard harness	2	
10	30015064400	LG0030D.15.08	后组合灯 Rear combination lamp	2	
11	30008133529	LG0030DTIH.III.15-001	支板 Supporting plate	1	
12	30015064403	LG0030B.15.19	警示灯 Warning lamp	1	
13	51158190304	GB/T818	螺钉M6X12 Screw M6×12	6	
14	30015061306	LG0030D.III.15.04	灯具线束 Lamp harness	1	
15	60402020101	DJB-12B	倒车蜂鸣器 Backup alarm buzzer	1	
16	51204090914	GB/T5783	螺栓M8X16 Bolt M8×16	5	
17	51401090107	GB/T93	垫圈8 Washer 8	1	
18	51421090115	GB/T97.1	垫圈8 Washer 8	5	
19	30015068302	LG0030D.III.15.09	易熔线 Fusible wire	1	DTJA/DTIH/DTJB DTIB机型
	30015068303	LG0030D.TDA.III.15.02	易熔线 Fusible wire	1	DTDA/DTDB机型
20	30015163604	LG0030D.III.15-002	油量传感器 Oil capacity sensor	1	
21	30015107606	LG0030D.III.15.03-002	固定板 Fixed plate	1	
22	30015069108	LG0030D.III.15.10	控制盒 Control box	1	
23	51158190504	GB/T818	螺钉M6X16 Screw M6×16	2	
24	51401080107	GB/T93	垫圈6 Washer 6	10	
25	51421080115	GB/T97.1	垫圈6 Washer 6	10	
26	30015066304	LG0030D.TXB.III.15.01	连接线束 Connecting wiring harness	1	DTIH/DTDB/DTJB DTIB机型用
27	30015163702	LG0030D.TIH.15-001	温度报警开关 Temperature alarm switch	1	DTIH/DTJB/DTIB机型用
28	60401050007	LG0030D.15-004	喇叭 Horn	1	
29	60405020218	LG0030D.15-006	刹车灯开关 Brake lamp switch	1	
30	30015066205	LG0030DTIG.15.01	连接电缆 Connecting cable	1	DTIH/DTIB 机型
	30015066204	LG0030D.III.15.08	连接电缆 Connecting cable	1	DTJA/DTJB/DTDA DTDB机型
31	60401030028	LG0030D.15.05.01	蓄电池 Battery	1	
32	30015160702	LG0030D.III.15.02-001	电瓶支架底板 Bottom plate of battery bracket	1	
33	30015161300	LG0030D.15.05-001	卡子 Clip	1	

电气系统/Electric system

DTJA, DTJB



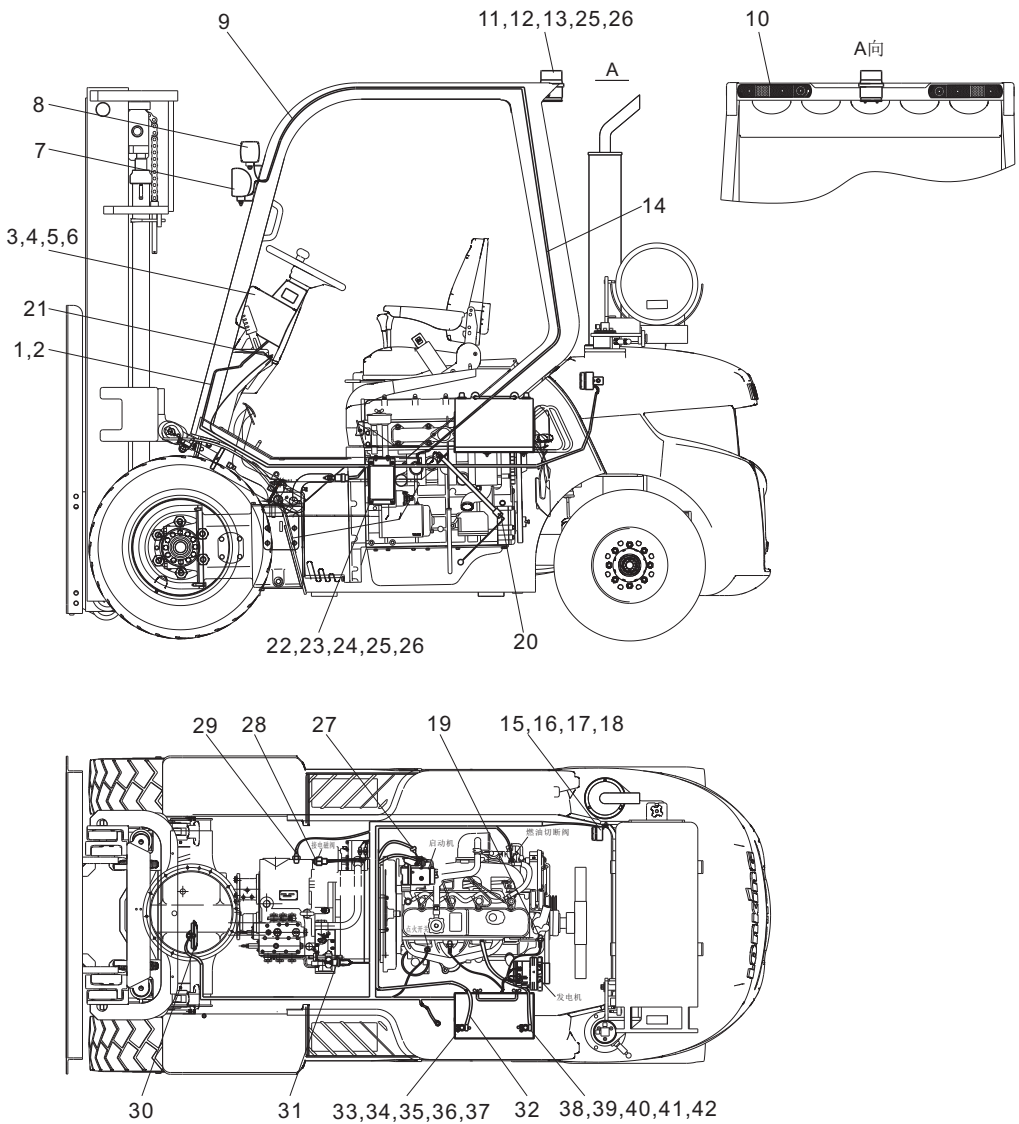
注：32A包括第17,19,25,26,32-36项。

电气系统/Electric system

序号 Item No	编 码 Code	图 号 Part No	零 部 件 名 称 Description	数量 Q'ty	备 注 Remark
1	30015067606	LG0030DTIHⅢ.15.01	线束总成 Harness assembly	1	
2	60980000547	30D-1500001	扎带4×300 Binding tape 4×300	13	
3	30015163414	LG0030DT.15-001	仪表 Instrument assembly	1	
4	51204081214	GB/T5783	螺栓M6×30 Bolt M6×30	4	
5	51430080114	GB/T5287	垫圈6 Washer 6	4	
6	60980002622	LG0030DTIH.15-001	组合开关 Combination switch	1	3T DTJB
6	60405020047	LG0030D.15-003	组合开关 Combination switch	1	DTJA/2-2.5TDTJB
7	60405020128	LG0030D.15-005	警示灯开关 Warning lamp	1	选装
8	30015064200	LG0030D.15.01	工作灯 Working lamp	2	选装后视灯时, 数量为3
9	60980000270	30D-0900011	过线圈 Wire ring	2	
10	30015067101	LG0030D.15.02	前组合灯 Front combination lamp	2	
11	30015064504	LG0030DⅢ.15.07	护顶架线束 Overhead guard harness	2	
12	30015064400	LG0030D.15.08	后组合灯 Rear combination lamp	2	
13	30008133529	LG0030DTIHⅢ.15-001	支板 Supporting plate	1	选装
14	30015064403	LG0030B.15.19	警示灯 Warning lamp	1	选装
15	30015061306	LG0030DⅢ.15.04	灯具线束 Lamp harness	1	
16	60402020101	DJB-12B	倒车蜂鸣器 Backup buzzer	1	
17	51204090914	GB/T5783	螺栓M8×16 Bolt M8×16	6	
18	51401090107	GB/T93	垫圈8 Washer 8	2	
19	51421090115	GB/T97.1	垫圈8 Washer 8	6	
20	30015066311	LG0030DTJAⅢ.15.01	连接线束 Connecting wiring harness	1	
21	30015068302	LG0030DⅢ.15.09	易熔线 Fusible wire	1	
22	30015163604	LG0030DⅢ.15-002	油量传感器 Oil capacity sensor	1	
23	30015018502	LG0030DⅢ.15.03	支架总成 Bracket assembly	1	
24	51204080914	GB/T5783	螺栓M6×16 Screw M6×16	2	选装警示灯,后视 灯时,数量为4
25	51401080107	GB/T93	垫圈6 Washer 6	4	选装警示灯,后视 灯时,数量为4
26	51421080115	GB/T97.1	垫圈6 Washer 6	4	选装警示灯,后视 灯时,数量为4
27	30015066320	LG0030DTXBⅢ.15.02	连接线束 Screw M6×12	1	3T DTJB
28	30015163702	LG0030DTⅢ.15-001	温度报警开关 Connecting wiring harness	1	
29	60401050007	LG0030D.15-004	喇叭 Horn	1	
30	60405020218	LG0030D.15-006	刹车灯开关 Brake lamp switch	1	
31	30015066205	LG0030DTIG.15.01	连接电缆 Connecting cable	1	
32A	30015068007	LG0030DⅢ.15.02	蓄电池盒总成 Battery box assembly	1	含17,19,25,26,32-36项
32	60401030028	LG0030D.15.05.01	蓄电池 Battery	1	
33	30015160702	LG0030DⅢ.15.02-001	电瓶支架底板 Bottom plate of battery support	1	
34	30015161300	LG0030D.15.05-001	卡子 Clip	1	

电气系统/Electric system

LG-20GLT,25GLT,30GLT,35GLT, 20GLTND,25GLTND,30GLTND,35GLTND,20GT,25GT,30GT,35GT, 20GTND, 25GTND,30GTND,35GTND

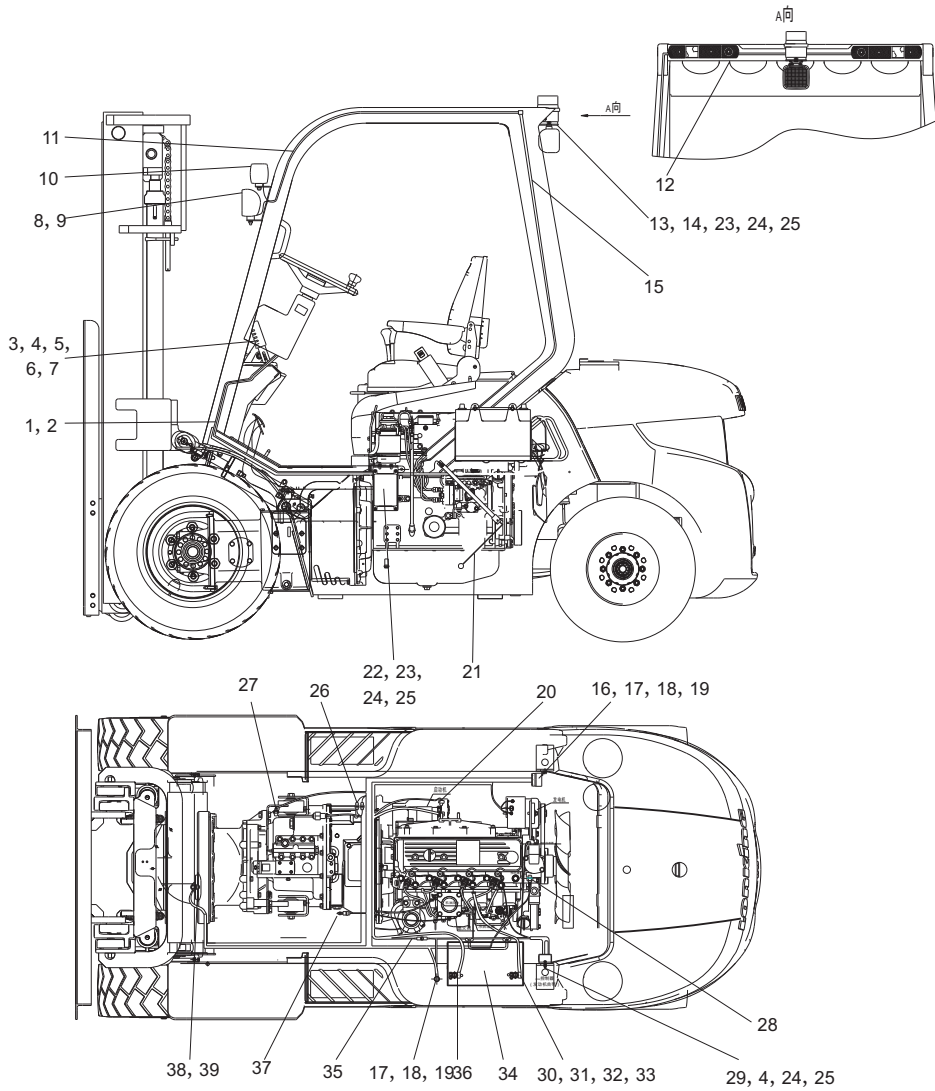


电气系统/Electric system

序号 Item No	编 码 Code	图 号 Part No	零 部 件 名 称 Description	数量 Q'ty	备 注 Remark
1	30015067608	LG0035GLTNDIII.15.01	线束总成 Harness	1	
2	60980000547	30D-1500001	扎带4X300 Binding tape 4×300	13	
3	30015163424	LG0035GLTNDIII.15-001	组合仪表 Combination instrument	1	
4	51204081214	GB/T5783	螺栓M6X30 Bolt M6×30	4	
5	51430080114	GB/T5287	垫圈6 Washer 6	4	
6	60980002622	LG0030DTIH.15-001	组合开关 Combination switch	1	
7	30015064200	LG0030D.15.01	工作灯 Working lamp	2	
8	30015067101	LG0030D.15.02	前组合灯 Front combination lamp	2	
9	30015064504	LG0030DIII.15.07	护顶架线束 Overhead guard harness	2	
10	30015064400	LG0030D.15.08	后组合灯 Rear combination lamp	2	
11	30008133529	LG0030DTIHIII.15-001	支板 Supporting plate	1	
12	30015064403	LG0030B.15.19	警示灯 Warning lamp	1	
13	51158190304	GB/T818	螺钉M6X12 Screw M6×12	6	
14	30015061306	LG0030DIII.15.04	灯具线束 Lamp harness	1	
15	60402020101	DJB-12B	倒车蜂鸣器 Backup alarm buzzer	1	
16	51204090914	GB/T5783	螺栓M8X16 Bolt M8×16	5	
17	51401090107	GB/T93	垫圈8 Washer 8	1	
18	51421090115	GB/T97.1	垫圈8 Washer 8	4	
19	30015162001	LG0035GLTNDIII.15-002	水温传感器 Water temperature sensor	1	
20	30015163604	LG0030DIII.15-002	油量传感器 Oil capacity sensor	1	
21	30001015800	LG0030GLT.19.01	切换开关 Transfer switch	1	
22	30015069108	LG0030DIII.15.10	中央控制盒 Central control box	1	
23	30015107606	LG0030DIII.15.03-002	固定板 Fixed plate	1	
24	51158190504	GB/T818	螺钉M6X16 Screw M6×16	2	
25	51401080107	GB/T93	垫圈6 Washer 6	12	
26	51421080115	GB/T97.1	垫圈6 Washer 6	12	
27	30015068302	LG0030DIII.15.09	易熔线 Fusible wire	1	
28	30015066304	LG0030DTXBIII.15.01	连接线束 Connecting wiring harness	1	
29	30015163702	LG0030DTIII.15-001	温度报警开关 Temperature alarm switch	1	
30	60401050007	LG0030D.15-004	喇叭 Horn	1	
31	60405020218	LG0030D.15-006	刹车灯开关 Brake lamp switch	1	
32	30015066205	LG0030DTIG.15.01	连接电缆 Connecting cable	1	
33	60401030028	LG0030D.15.05.01	蓄电池 Battery	1	
34	30015062106	LG0035GLTNDIII.15.03.01	电瓶支架焊合 Bottom plate of battery bracket	1	
35	30015161300	LG0030D.15.05-001	卡子 Clip	1	
36	51354000404	GB/T62.1	螺母M6 Nut M6	2	

电气系统/ Electric system

DTMA、DTMB

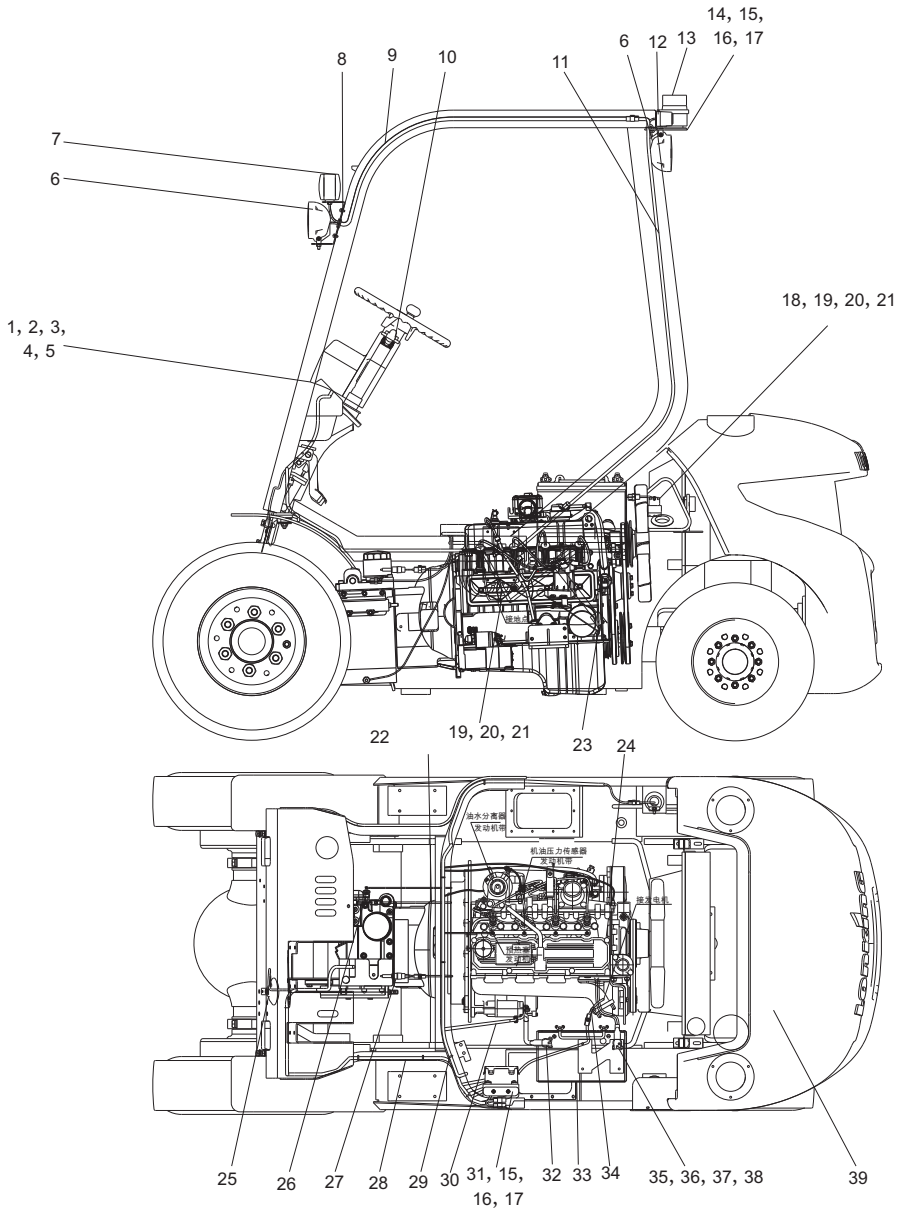


电气系统/Electric system

序号 Item No	编 码 Code	图 号 Part No	零部件名称 Description	数量 Q'ty	备 注 Remark
1	30015067606	LG0030DTIHIII.15.01	线束总成 Harness assembly	1	
2	60980000547	30D-1500001	扎带4×300 Binding tape 4×300	13	
3	30015163414	LG0030DT.15-001	指针仪表 Pointer instrument	1	
4	51204081214	GB/T5783	螺栓M6×30 Bolt M6×30	5	
5	51430080114	GB/T5287	垫圈6 Washer 6	4	
6	60405020047	LG0030D.15-003	组合开关 Combination switch	1	30DTMA
	60980002622	LG0030DTIH.15-001	组合开关 Combination switch	1	30DTMB
7	60405020128	LG0030D.15-005	警示灯开关 Warning lamp switch	1	
8	30015064200	LG0030D.15.01	工作灯 Working lamp	2	
9	60980000270	30D-0900011	过线圈 Rubber ring	2	
10	30015067101	LG0030D.15.02	前组合灯 Front combination lamp	2	
11	30015064504	LG0030DIII.15.07	护顶架线束 Overhead guard harness	2	
12	30015064400	LG0030D.15.08	后组合灯 Rear combination lamp	2	
13	30008133529	LG0030DTIHIII.15-001	支板 Supporting plate	1	
14	30015064403	LG0030B.15.19	警示灯 Warning lamp	1	
15	30015061306	LG0030DIII.15.04	灯具线束 Lamp harness	1	
16	60402020101	LG0030D.15-007	倒车蜂鸣器 Backup buzzer	1	
17	51204090914	GB/T5783	螺栓M8×16 Bolt M8×16	2	
18	51401090107	GB/T93	垫圈8 Washer 8	2	
19	51421090115	GB/T97.1	垫圈8 Washer 8	2	
20	30015068302	LG0030DIII.15.09	易熔线 Fusible wire	1	
21	30015163604	LG0030DIII.15-002	油量传感器 Oil capacity sensor	1	
22	30015018502	LG0030DIII.15.03	支架总成 Bracket assembly	1	
23	51204080914	GB/T5783	螺栓M6×16 Bolt M6×16	2	
24	51421080115	GB/T97.1	垫圈6 Washer 6	4	
25	51401080107	GB/T93	垫圈6 Washer 6	3	
26	30015066320	LG0030DTXBIII.15.02	连接线束 Connecting harness	1	30DTMB
27	30015163702	LG0030DTIII.15-001	温度报警开关 Temperature alarm switch	1	
28	30015163609	LG0030DTMAIII.15-001	水温传感器 Water temperature sensor	1	
29	51307000819	GB/T6170	螺母M6 Nut M6	1	
30	30015061501	LG0030DIII.15.05	地线电缆 Ground cable	1	
31	51204101014	GB/T5783	螺栓M10×20 Bolt M10×20	1	
32	51401100107	GB/T93	垫圈10 Washer 10	1	
33	51421100115	GB/T97.1	垫圈10 washer 10	1	
34	30015068007	LG0030DIII.15.02	蓄电池盒总成 Battery box assembly	1	
35	30015066313	LG0030DTMAIII.15.01	连接线束 Connecting harness	1	

电气系统 / Electric system

DTHB、DTHD

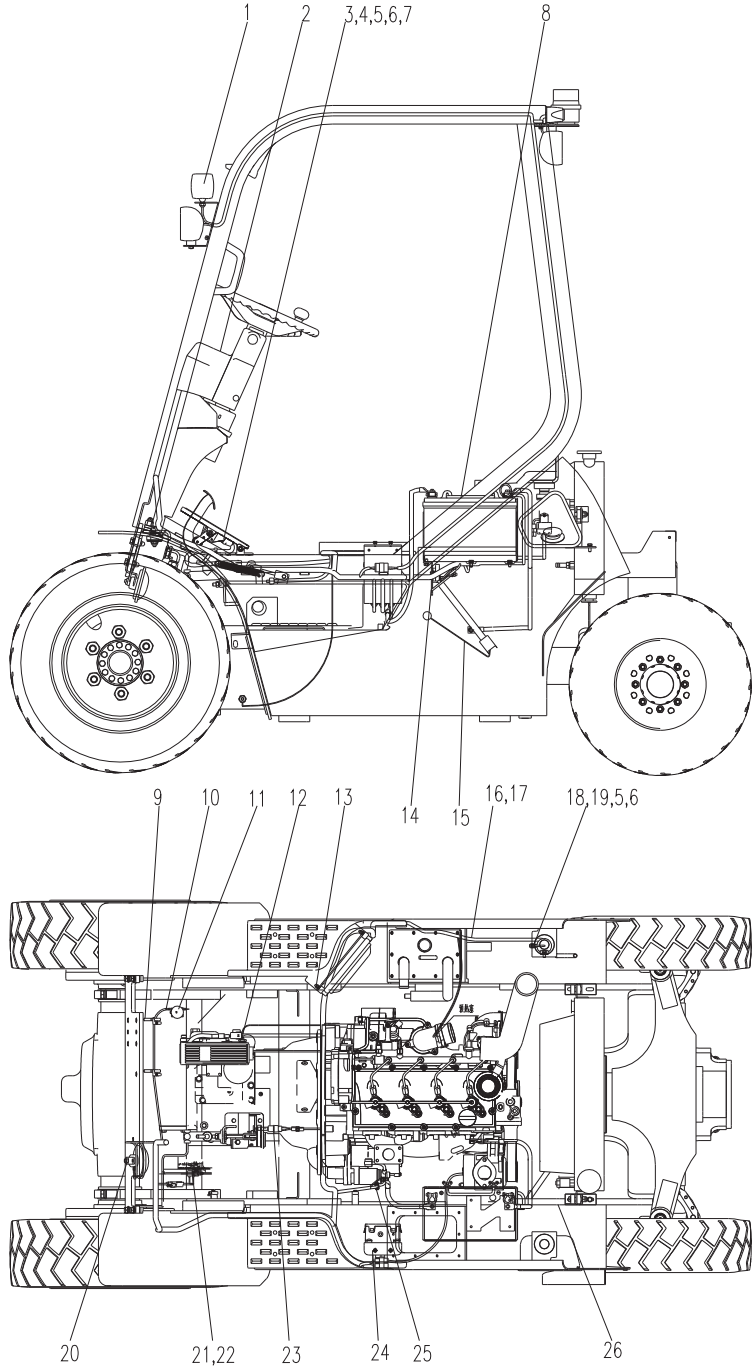


电气系统/Electric system

序号 Item No	编 码 Code	图 号 Part No	零 部 件 名 称 Description	数量 Q'ty	备 注 Remark
1	30015163408	30D-1503000	数字仪表(中) Digital instrument (Chinese)	1	国内车用
2	60400000620	LG0030DIII.15.14	数字仪表(英) Digital instrument (English)	1	出口车用
3	51204081214	GB/T5783	螺栓M6×30 Bolt M6×30	4	
4	51430080114	GB/T5287	垫圈6 Washer 6	4	
5	60405020128	LG0030D.15-005	警示灯开关 Warning lamp switch	1	选装辅助电器用
6	30015064200	LG0030D.15.01	工作灯 Working lamp	2	选装后照灯时, 数量为3
7	30015067101	LG0030D.15.02	前组合灯 Front combination lamp	2	
8	60980000270	30D-0900011	过线圈 Rubber ring	2	
9	30015064504	LG0030DIII.15.07	护顶架线束 Overhead guard harness	2	
10	60980002622	LG0030DTIH.15-001	组合开关 Combination switch	1	
11	30015061306	LG0030DIII.15.04	灯具线束 Lamp harness	1	
12	30015064400	LG0030D.15.08	后组合灯 Rear combination lamp	2	
13	30015064403	LG0030B.15.19	警示灯 Warning lamp	1	选装
14	30008133529	LG0030DTIHIII.15-001	支板 Supporting plate	1	选装警示灯或倒车灯用
15	51204080914	GB/T5783	螺栓M6×16 Bolt M6×16	2	选装警示灯、后照灯时, 数量为4
16	51401080107	GB/T93	垫圈6 Washer 6	2	选装警示灯、后照灯时, 数量为4
17	51421080115	GB/T97.1	垫圈6 Washer 6	2	选装警示灯、后照灯时, 数量为4
18	60402020101	DJB-12B	倒车蜂鸣器 Backup buzzer	1	
19	51204090914	GB/T5783	螺栓M8×16 Bolt M8×16	2	
20	51401090107	GB/T93	垫圈8 Washer 8	2	
21	51421090115	GB/T97.1	垫圈8 Washer 8	2	
22	30015066320	LG0030DTXBIII.15.02	连接线束 Connecting harness	1	
23	30015163604	LG0030DIII.15-002	油量传感器 Oil capacity sensor	1	
24	30015163609	LG0030DTMAIII.15-001	水温传感器 Water temperature sensor	1	
25	60401050007	LG0030D.15-004	喇叭 Horn	1	
26	30015163702	LG0030DTIII.15-001	温度报警开关 Temperature alarm switch	1	
27	60405020218	LG0030D.15-006	刹车灯开关 Brake lamp switch	1	
28	30015067606	LG0030DTIHIII.15.01	线束总成 Harness assembly	1	
29	60980000547	30D-1500001	扎带4×300 Binding tape 4×300	13	
30	30015068302	LG0030DIII.15.09	易熔线 Fusible wire	1	
31	30015018502	LG0030DIII.15.03	支架总成 Bracket assembly	1	
32	30015066204	LG0030DIII.15.08	连接电缆 Connecting cable	1	
33	30015068007	LG0030DIII.15.02	蓄电池盒总成 Battery box assembly	1	
34	60400000796	LG0030DTHBIII.15.01	连接线束 Connecting harness	1	
35	30015061501	LG0030DIII.15.05	地线电缆 Ground cable	1	
36	51204101014	GB/T5783	螺栓M10×20 Bolt M10×20	1	

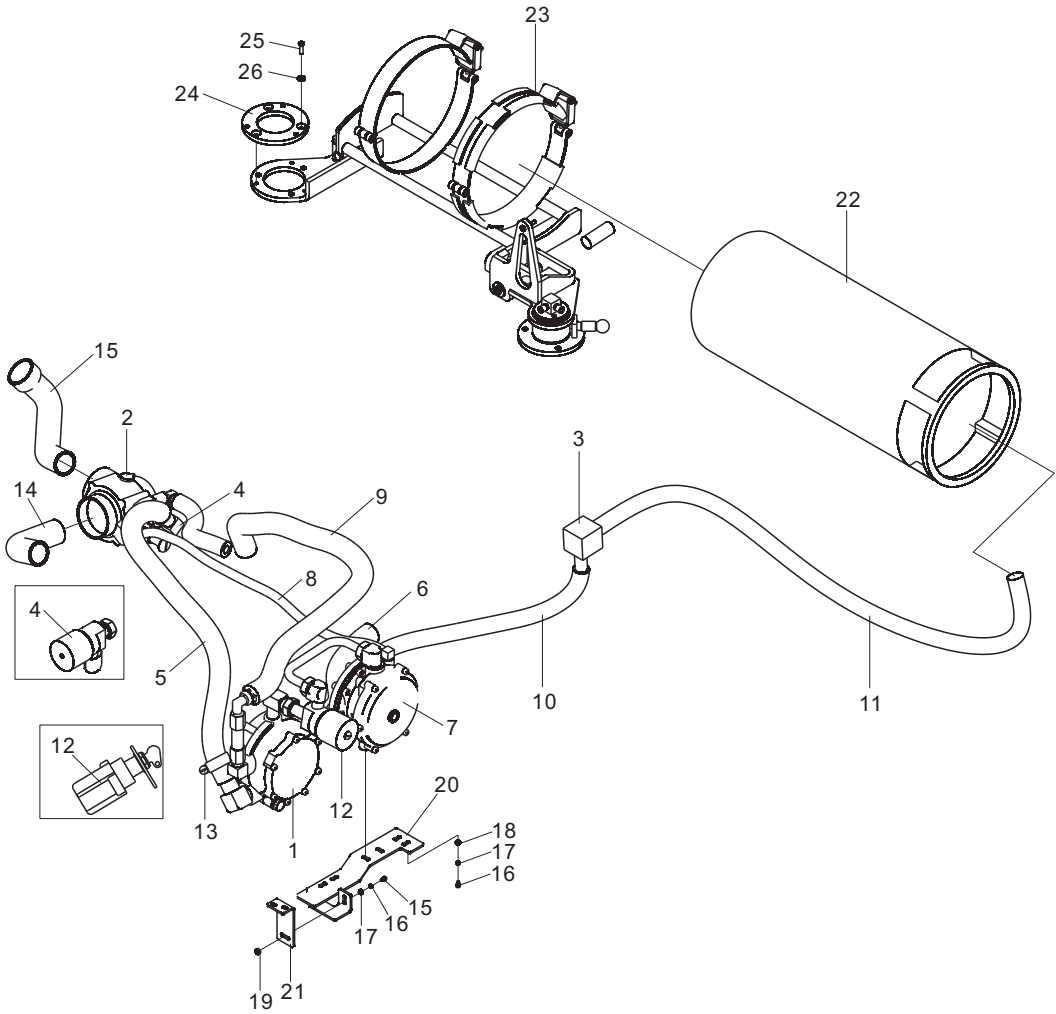
电气系统/Electric system

DTSB



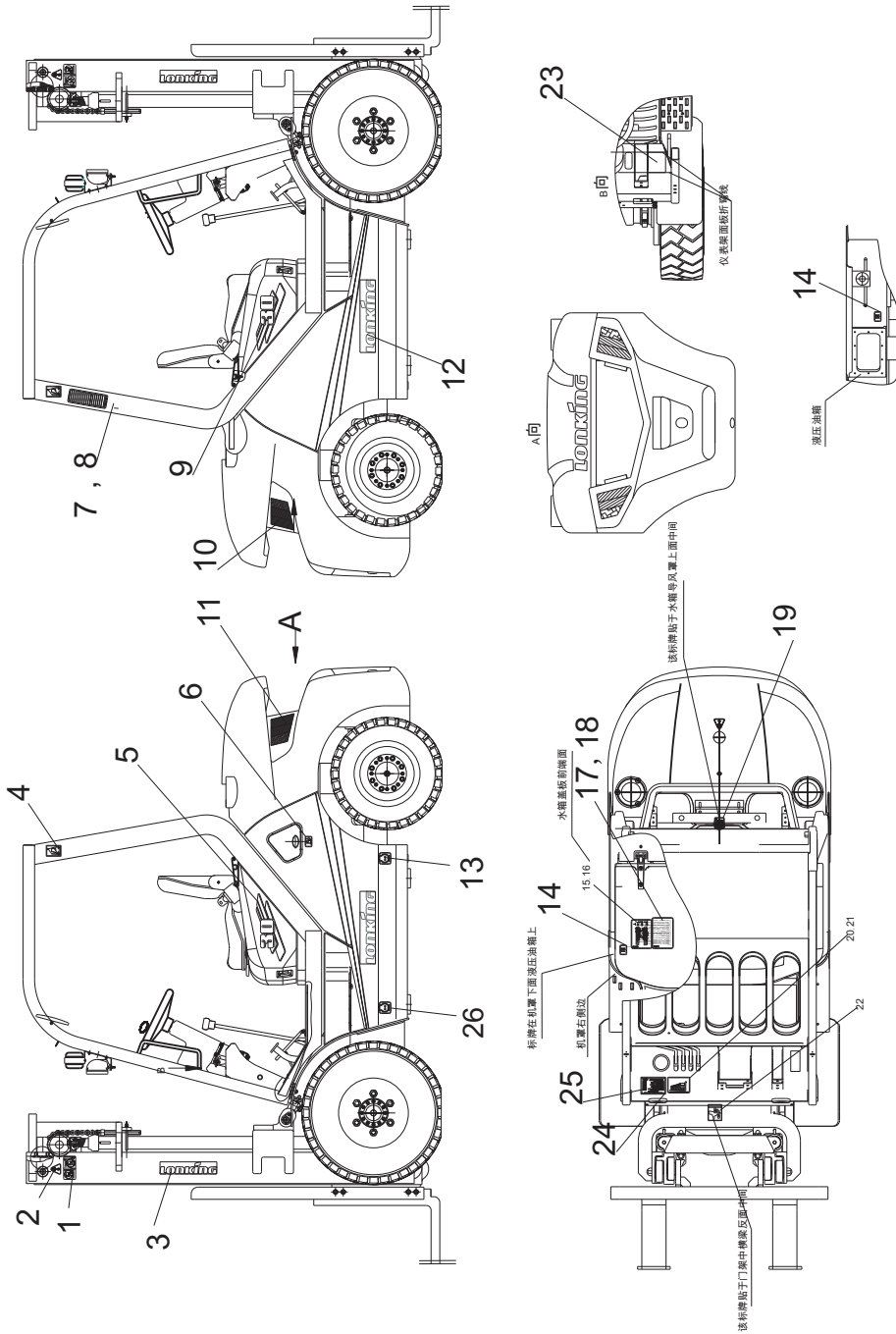
液化气装置/Liquefied gas device

LG-20GLT,25GLT,30GLT,35GLT, 20GLTND,25GLTND,30GLTND,35GLTND



标牌/Label

通用



标牌/Label

序号 Item No	编 码 Code	图 号 Part No	零 部 件 名 称 Description	数量 Q'ty	备 注 Remark
1	30016197312	LG0030D.16-001	警示标牌货叉上下禁止停留 No stay label	2	
2	30016197803	LG0030DIII.16-003	起吊点标牌 Lift point label	3	
3	30016197506	LG0030D.16-003	龙工标志 Lonking label	2	
4	30016197101	LG0030D.16-005	叉车吊运标牌 Hoisting and transportation label	2	
5	30016198263	LG0020DIII.16-001	型号标牌 Model label	1	2T
	30016198254	LG0025DIII.16-001	型号标牌 Model label	1	2.5T
	30016198244	LG0030DIII.16-001	型号标牌 Model label	1	3T
	30016198252	LG0035DIII.16-001	型号标牌 Model label	1	3.5T
6	30016198508	LG0030DIII.16-016	油品标牌 Oil label	1	
7	30016197314	LG0030D.16-018	警示标牌严禁冲水 Warning label- no flushing	1	
8	30016197317	LG0030D.25-006	警示标牌严禁冲水 Warning label- no flushing	1	出口车用
9	30016198245	LG0030DIII.16-002	型号标牌 Modellabel	1	
10	30016199106	LG0030DIII.16-021	反光贴 Refletive sticker	1	
11	30016199107	LG0030DIII.16-022	反光贴 Reflective stickers	1	
12	30016197507	LG0030D.16-008	龙工标志 Lonking label	2	
13	30016197607	LG0030DIII.16-005	轮胎气压标牌 Tire pressure label	1	3-3.5T
	30016197607	LG0030DIII.16-005	轮胎气压标牌 Tire pressure label	2	2-2.5T
14	30016198510	LG0030DIII.16-006	油品标牌 Oil label	1	
15	30016197902	LG0030D.16-010	润滑点标牌 Lubrication point label	1	出口车用
16	30016197904	LG0030DIII.16-007	润滑点标牌 Lubrication point label	1	
17	30016198001	LG0030D.16-011	说明标牌(中文) Operating label	1	出口车用
18	30016198004	LG0030DIII.16-008	说明标牌 Operating label	1	
19	30016197318	LG0030DIII.16-012	警示标牌风扇伤手 Do not hurt the hand	1	
20	30016198626	LG0020DIII.16-003	载荷曲线图标牌 Load curve chart label	1	2T
	30016198624	LG0025DIII.16-003	载荷曲线图标牌 Load curve chart label	1	2.5T
	30016198607	LG0030D.16-016	载荷曲线图标牌 Load curve chart label	1	3T
	30016198614	LG0035D.16-003	载荷曲线图标牌 Load curve chart label	1	3.5T
21	30016198627	LG0020DIII.16-004	载荷曲线图标牌 Load curve chart label	1	2T 出口车
	30016198625	LG0025DIII.16-004	载荷曲线图标牌 Load curve chart label	1	2.5T 出口车
	30016198621	LG0030DIII.16-009	载荷曲线图标牌 Load curve chart label	1	3T 出口车
	30016198630	LG0035D.16-004	载荷曲线图标牌 Load curve chart label	1	3.5T 出口车
22	30016197319	LG0030DIII.16-013	警示标牌勿伤手 Do not hurt the hand	1	
23	80380801888	LG0030D.16-033	防冻液标签-35℃ Antifreeze label -35℃	1	
24	51569000106	GB/T12618.1	抽芯铆钉4×12 Mandrel blind rivet 4×12	4	
25	30016197701	LG0030D.16-015	铭牌 Nameplate	1	
26	30016197608	LG0030DIII.16-020	轮胎气压标牌 Tire pressure Label	1	3-3.5T

平衡重/Counter weight

通用

